

ELECTORAL ROLL 2024 S05 Goa

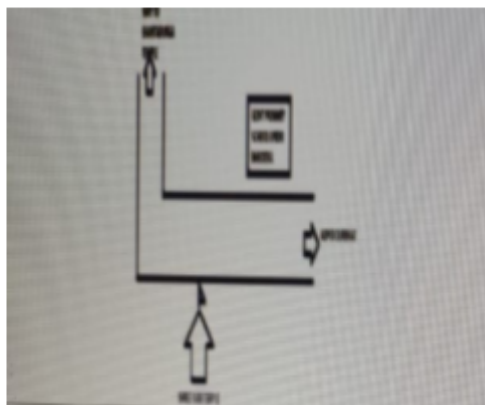


No. Name and Reservation Status of Assembly Constituency : 23 - MARCAIM (GEN)		Part No. : 26															
No. Name and Reservation Status of Parliamentary Constituency(ies) in which the Assembly Constituency is located : 2 - SOUTH GOA (GEN)																	
1. Details of Revision																	
Year of Revision	2024	Roll Identification															
Qualifying Date	01-04-2024	Final Roll of Special Summary Revision 2024 published on 05-01-2024 integrated with Additions, Deletions and Modifications carried out during Continuous Updation 2024 upto 19-04-2024.															
Type of revision	Continous Updation (Quarter 2) 2024																
Date of Updation	19-04-2024																
2. Details of part and polling area																	
No. and name of sections in the part																	
1-Undir, Bandora	<table style="width: 100%; border-collapse: collapse;"> <tr> <td style="border-right: 1px solid black; padding: 5px;">Main Town or Village</td> <td style="padding: 5px;">: BANDORA</td> </tr> <tr> <td style="border-right: 1px solid black; padding: 5px;">Post Office</td> <td style="padding: 5px;">: PONDA</td> </tr> <tr> <td style="border-right: 1px solid black; padding: 5px;">Police Station</td> <td style="padding: 5px;">: PONDA</td> </tr> <tr> <td style="border-right: 1px solid black; padding: 5px;">Block</td> <td style="padding: 5px;">: PONDA</td> </tr> <tr> <td style="border-right: 1px solid black; padding: 5px;">Subdivision</td> <td style="padding: 5px;">: PONDA</td> </tr> <tr> <td style="border-right: 1px solid black; padding: 5px;">District</td> <td style="padding: 5px;">: SOUTH GOA</td> </tr> <tr> <td style="border-right: 1px solid black; padding: 5px;">Pin code</td> <td style="padding: 5px;">: 403401</td> </tr> </table>			Main Town or Village	: BANDORA	Post Office	: PONDA	Police Station	: PONDA	Block	: PONDA	Subdivision	: PONDA	District	: SOUTH GOA	Pin code	: 403401
Main Town or Village	: BANDORA																
Post Office	: PONDA																
Police Station	: PONDA																
Block	: PONDA																
Subdivision	: PONDA																
District	: SOUTH GOA																
Pin code	: 403401																
3. Polling station details																	
No. and Name of Polling Station :	Type of Polling Station (Male/Female/General)	General															
26 - Government Primary School, Undir, Bandora	Number of Auxiliary Polling Stations in this part :	0															
Address of Polling Station :																	
Government Primary School, Undir, Bandora																	
4. NUMBER OF ELECTORS																	
Starting	Ending	Net Electors															
Serial No.	Serial No.	Male	Female	Third Gender	Total												
1	442	202	222	0	424												

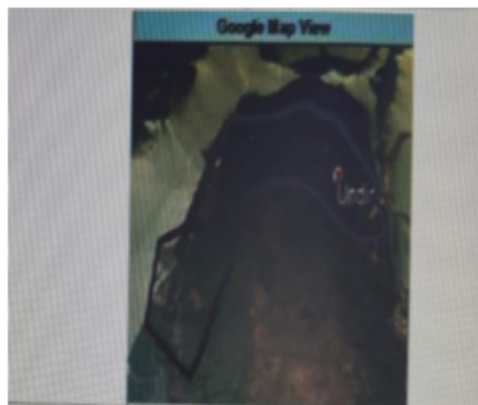
Signature of Electoral Registration Officer



Nazri Naksha



Google Map View



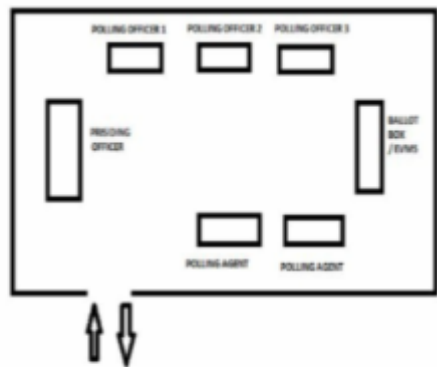
Polling Station Building Front View



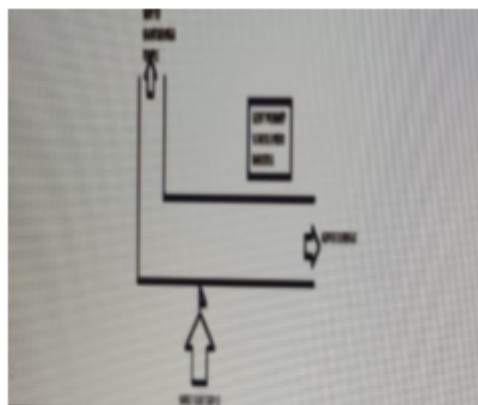
Polling Station Front View



Cad View



Key MAP View





<p>E 1</p> <p>Name : Sapnesh Pokle Fathers Name: Dilip Pokle House Number : 145 Age : 33 Gender : Male</p> <p>Photo Available</p>	<p>NUP0312652</p>	<p>2</p> <p>Name : Rudraksh Parsekar Fathers Name: Rama Parsekar House Number : 151 Age : 35 Gender : Male</p> <p>Photo Available</p>	<p>NUP0264465</p>	<p>3</p> <p>Name : Ramila Parsekar Husbands Name: Rohidas Parsekar House Number : 152/A Age : 72 Gender : Female</p> <p>Photo Available</p>	<p>LJN0830646</p>
<p>4</p> <p>Name : Ramesh Parsekar Fathers Name: Harischandra Parsekar House Number : 152/A Age : 68 Gender : Male</p> <p>Photo Available</p>	<p>NUP0383141</p>	<p>5</p> <p>Name : Reshma Parsekar Husbands Name: Ramesh Parsekar House Number : 152/A Age : 61 Gender : Female</p> <p>Photo Available</p>	<p>NUP0383133</p>	<p>6</p> <p>Name : Pritesh Parsekar Fathers Name: Rohidas Parsekar House Number : 152/A Age : 42 Gender : Male</p> <p>Photo Available</p>	<p>LJN0830638</p>
<p>7</p> <p>Name : Sharmila Parsekar Husbands Name: Pritesh Parsekar House Number : 152/A Age : 40 Gender : Female</p> <p>Photo Available</p>	<p>HFF4245163</p>	<p>8</p> <p>Name : Antonia Kerketta Husbands Name: Silvester Kerketta House Number : 152/B Age : 49 Gender : Female</p> <p>Photo Available</p>	<p>LJN1499409</p>	<p>9</p> <p>Name : Prema Kerketta Fathers Name: Silvester Kerketta House Number : 152/B Age : 26 Gender : Female</p> <p>Photo Available</p>	<p>NUP0316265</p>
<p>10</p> <p>Name : Suresh Kujur Fathers Name: Blyanur Kujur House Number : 152/C Age : 48 Gender : Male</p> <p>Photo Available</p>	<p>JGZ6530992</p>	<p>11</p> <p>Name : Sushila Kujur Husbands Name: Suresh Kujur House Number : 152/C Age : 46 Gender : Female</p> <p>Photo Available</p>	<p>JGZ6531008</p>	<p>12</p> <p>Name : Shantipriya Kujur Fathers Name: Suresh Kujur House Number : 152/C Age : 27 Gender : Female</p> <p>Photo Available</p>	<p>NUP0320903</p>
<p>13</p> <p>Name : Tarshila Kujur Fathers Name: Suresh Kujur House Number : 152/C Age : 25 Gender : Female</p> <p>Photo Available</p>	<p>NUP0324293</p>	<p>14</p> <p>Name : Mahananda Parsekar Husbands Name: Chandrakant Parsekar House Number : 152/D Age : 66 Gender : Female</p> <p>Photo Available</p>	<p>NUP0383109</p>	<p>15</p> <p>Name : Chandani Parsekar Fathers Name: Chandrakant Parsekar House Number : 152/D Age : 33 Gender : Female</p> <p>Photo Available</p>	<p>NUP0275099</p>
<p>16</p> <p>Name : Rama Parsekar Fathers Name: Raghuvir Parsekar House Number : 153 Age : 62 Gender : Male</p> <p>Photo Available</p>	<p>NUP0101626</p>	<p>17</p> <p>Name : Rajeshree Parsekar Husbands Name: Rama Parsekar House Number : 153 Age : 61 Gender : Female</p> <p>Photo Available</p>	<p>NUP0102202</p>	<p>18</p> <p>Name : Pramod Parsekar Fathers Name: Raghuvir Parsekar House Number : 153 Age : 55 Gender : Male</p> <p>Photo Available</p>	<p>LJN1507128</p>
<p>19</p> <p>Name : Prashant Parsekar Fathers Name: Raghuvir Parsekar House Number : 153 Age : 52 Gender : Male</p> <p>Photo Available</p>	<p>NUP0110403</p>	<p>20</p> <p>Name : Pramodini Parsekar Husbands Name: Pramod Parsekar House Number : 153 Age : 46 Gender : Female</p> <p>Photo Available</p>	<p>NUP0309815</p>	<p># 21</p> <p>Name : Priya Parsekar Husbands Name: Prashant Parsekar House Number : 153 Age : 43 Gender : Female</p> <p>Photo Available</p>	<p>NUP0269936</p>
<p>22</p> <p>Name : Vishant Parsekar Fathers Name: Raghuvir Parsekar House Number : 153 Age : 43 Gender : Male</p> <p>Photo Available</p>	<p>LJN1508431</p>	<p>23</p> <p>Name : Pooja Parsekar Husbands Name: Vishant Parsekar House Number : 153 Age : 38 Gender : Female</p> <p>Photo Available</p>	<p>NUP0287656</p>	<p>24</p> <p>Name : Sailee Parsekar Fathers Name: Rama Parsekar House Number : 153 Age : 27 Gender : Female</p> <p>Photo Available</p>	<p>NUP0317099</p>
<p>25</p> <p>Name : Pranesh Parsekar Fathers Name: Pramod Parsekar House Number : 153 Age : 22 Gender : Male</p> <p>Photo Available</p>	<p>NUP0396044</p>	<p>26</p> <p>Name : PRANJAL PRAMOD PARSEKAR Fathers Name: PRAMOD PARSEKAR House Number : 153 Age : 20 Gender : Female</p> <p>Photo Available</p>	<p>NUP0410001</p>	<p>27</p> <p>Name : Saraswati Parsekar Husbands Name: Anant Parsekar House Number : 153/1 Age : 69 Gender : Female</p> <p>Photo Available</p>	<p>NUP0287557</p>
<p>E 28</p> <p>Name : Mathura Parsekar Husbands Name: Gokuldas Parsekar House Number : 153/1 Age : 69 Gender : Female</p> <p>Photo Available</p>	<p>NUP0101428</p>	<p>29</p> <p>Name : Sitaram Parsekar Fathers Name: Anant Parsekar House Number : 153/1 Age : 36 Gender : Male</p> <p>Photo Available</p>	<p>NUP0287540</p>	<p>30</p> <p>Name : Anupama Parsekar Fathers Name: Anant Parsekar House Number : 153/1 Age : 31 Gender : Female</p> <p>Photo Available</p>	<p>NUP0287714</p>



<p>31</p> <p>Name : Srimati Parsekar Husbands Name : Narayan Parsekar House Number : 153/3 Age : 93 Gender : Female</p> <p>Photo Available</p> <p>NUP0383059</p>	<p>32</p> <p>Name : Sadanand Parsekar Fathers Name : Narayan Parsekar House Number : 153/3 Age : 71 Gender : Male</p> <p>Photo Available</p> <p>NUP0383042</p>	<p>33</p> <p>Name : Sunita Parsekar Husbands Name : Sadanand Parsekar House Number : 153/3 Age : 66 Gender : Female</p> <p>Photo Available</p> <p>NUP0383034</p>
<p>34</p> <p>Name : Narayan Parsekar Fathers Name : Premanand Parsekar House Number : 153/3 Age : 42 Gender : Male</p> <p>Photo Available</p> <p>NUP0255679</p>	<p>35</p> <p>Name : Shradha Parsekar Fathers Name : Sadanand Parsekar House Number : 153/3 Age : 40 Gender : Female</p> <p>Photo Available</p> <p>LJN0830745</p>	<p>36</p> <p>Name : Prabhajan Parsekar Fathers Name : Sadanand Parsekar House Number : 153/3 Age : 39 Gender : Male</p> <p>Photo Available</p> <p>LJN1516418</p>
<p>37</p> <p>Name : Binita Parsekar Husbands Name : Sudhakar Parsekar House Number : 153/5 Age : 49 Gender : Female</p> <p>Photo Available</p> <p>LJN5231147</p>	<p>38</p> <p>Name : Anil Parsekar Fathers Name : Vithal Parsekar House Number : 153/6 Age : 67 Gender : Male</p> <p>Photo Available</p> <p>NUP0305318</p>	<p>39</p> <p>Name : Seema Parsekar Husbands Name : Shivanand Parsekar House Number : 153/6 Age : 65 Gender : Female</p> <p>Photo Available</p> <p>NUP0099481</p>
<p>40</p> <p>Name : Sheshraj Parsekar Fathers Name : Shivanand Parsekar House Number : 153/6 Age : 42 Gender : Male</p> <p>Photo Available</p> <p>LJN8309346</p>	<p>41</p> <p>Name : Sitabai Naik Parsekar Husbands Name : Ramnath Naik Parsekar House Number : 154 Age : 79 Gender : Female</p> <p>Photo Available</p> <p>NUP0383026</p>	<p>42</p> <p>Name : Ajitkumar Naik Parsekar Fathers Name : Ramnath Naik Parsekar House Number : 154 Age : 57 Gender : Male</p> <p>Photo Available</p> <p>NUP0383018</p>
<p>43</p> <p>Name : Raghuvir Naik Parsekar Fathers Name : Ramanath Naik Parsekar House Number : 154 Age : 55 Gender : Male</p> <p>Photo Available</p> <p>NUP0383000</p>	<p>44</p> <p>Name : Ashwini Naik Parsekar Husbands Name : Ajitkumar Naik Parsekar House Number : 154 Age : 52 Gender : Female</p> <p>Photo Available</p> <p>LJN0830760</p>	<p>45</p> <p>Name : Mukta Naik Parsekar Husbands Name : Raghuvir Naik Parsekar House Number : 154 Age : 44 Gender : Female</p> <p>Photo Available</p> <p>NUP0293829</p>
<p>46</p> <p>Name : Amisha Naik Parsekar Fathers Name : Ajitkumar Naik Parsekar House Number : 154 Age : 23 Gender : Female</p> <p>Photo Available</p> <p>NUP0336982</p>	<p>47</p> <p>Name : Chandravati Naik Husbands Name : Bhikaro Naik House Number : 155 Age : 74 Gender : Female</p> <p>Photo Available</p> <p>NUP0382994</p>	<p>48</p> <p>Name : Ashok Naik Fathers Name : Bhikaro Naik House Number : 155 Age : 59 Gender : Male</p> <p>Photo Available</p> <p>LJN1510882</p>
<p>49</p> <p>Name : Budu Naik Fathers Name : Bhikaro Naik House Number : 155 Age : 56 Gender : Male</p> <p>Photo Available</p> <p>NUP0221861</p>	<p>50</p> <p>Name : Mohan Naik Fathers Name : Utu Naik House Number : 155 Age : 51 Gender : Male</p> <p>Photo Available</p> <p>LJN1509785</p>	<p>51</p> <p>Name : Vanita Naik Husbands Name : Budu Naik House Number : 155 Age : 49 Gender : Female</p> <p>Photo Available</p> <p>LJN1511799</p>
<p>52</p> <p>Name : Bhomi Naik Fathers Name : Bhikaro Naik House Number : 155 Age : 40 Gender : Male</p> <p>Photo Available</p> <p>LJN1502244</p>	<p>53</p> <p>Name : Vikas Kosambe Fathers Name : Narayan Kosambe House Number : 155/1 Age : 61 Gender : Male</p> <p>Photo Available</p> <p>NUP0110973</p>	<p>54</p> <p>Name : Roopa Kosambe Husbands Name : Vikas Kosambe House Number : 155/1 Age : 59 Gender : Female</p> <p>Photo Available</p> <p>LJN1512359</p>
<p>55</p> <p>Name : Akshada Kosambe Fathers Name : Vikas Kosambe House Number : 155/1 Age : 27 Gender : Female</p> <p>Photo Available</p> <p>NUP0311670</p>	<p>56</p> <p>Name : Narayan Kosambe Fathers Name : Vikas Kosambe House Number : 155/1 Age : 24 Gender : Male</p> <p>Photo Available</p> <p>NUP0331611</p>	<p>57</p> <p>Name : Ashved Kosambe Fathers Name : Vikas Kosambe House Number : 155/1 Age : 20 Gender : Male</p> <p>Photo Available</p> <p>NUP0407205</p>
<p>58</p> <p>Name : Suresh Naik Fathers Name : Bomi Naik House Number : 155/A Age : 61 Gender : Male</p> <p>Photo Available</p> <p>NUP0093724</p>	<p>59</p> <p>Name : Shoban Naik Husbands Name : Suresh Naik House Number : 155/A Age : 57 Gender : Female</p> <p>Photo Available</p> <p>LJN1510031</p>	<p>60</p> <p>Name : Deepak Naik Fathers Name : Suresh Naik House Number : 155/A Age : 37 Gender : Male</p> <p>Photo Available</p> <p>LJN1508753</p>



61 Name : Deeptesh Naik Fathers Name: Suresh Naik House Number : 155/A Age : 31 Gender : Male	NUP0287615 Photo Available	62 Name : Deepashree Naik Fathers Name: Suresh Naik House Number : 155/A Age : 27 Gender : Female	NUP0312405 Photo Available	63 Name : Meera Naik Husbands Name: Narayan Naik House Number : 155/B Age : 71 Gender : Female	LJN1486372 Photo Available
# 64 Name : Ram Naik Fathers Name: Narayan Naik House Number : 155/B Age : 42 Gender : Male	NUP0222216 Photo Available	65 Name : Namrata Naik Husbands Name: Ram Naik House Number : 155-B Age : 36 Gender : Female	NUP0302067 Photo Available	66 Name : Datta Naik Fathers Name: Bhikaro Naik House Number : 155/B-1 Age : 52 Gender : Male	LJN1509793 Photo Available
67 Name : Pooja Naik Husbands Name: Datta Naik House Number : 155/B-1 Age : 42 Gender : Female	NUP0255687 Photo Available	68 Name : Shall Sawant Husbands Name: Venkatesh Sawant House Number : 156 Age : 74 Gender : Female	LJN1503515 Photo Available	69 Name : Surya Sawant Fathers Name: Venkatesh Sawant House Number : 156 Age : 49 Gender : Male	LJN1501337 Photo Available
70 Name : Simran Sawant Husbands Name: Surya Sawant House Number : 156 Age : 43 Gender : Female	JCM6669931 Photo Available	E2 71 Name : Govind Sawant Fathers Name: Venkatesh Sawant House Number : 156 Age : 43 Gender : Male	NUP0094755 Photo Available	E 72 Name : Damodar Naik Fathers Name: Govind Naik House Number : 156 Age : 53 Gender : Male	LJN1516681 Photo Available
73 Name : Dinesh Naik Fathers Name: Govind Naik House Number : 158 Age : 49 Gender : Male	LJN1503432 Photo Available	74 Name : Sharad Naik Husbands Name: Damodar Naik House Number : 158 Age : 47 Gender : Female	LJN1516699 Photo Available	75 Name : Diya Naik Husbands Name: Dinesh Naik House Number : 158 Age : 44 Gender : Female	LJN1503440 Photo Available
76 Name : Darshana Naik Fathers Name: Damodar Naik House Number : 158 Age : 25 Gender : Female	NUP0330787 Photo Available	77 Name : Suham Naik Mothers Name: Sharad Naik House Number : 158 Age : 19 Gender : Male	NUP0409995 Photo Available	78 Name : Gokul Naik Husbands Name: Vasant Naik House Number : 159 Age : 79 Gender : Female	LJN1501204 Photo Available
79 Name : Ratnakar Naik Fathers Name: Chandrakant Naik House Number : 159 Age : 59 Gender : Male	NUP0102145 Photo Available	80 Name : Gurudas Naik Fathers Name: Chandrakant Naik House Number : 159 Age : 56 Gender : Male	NUP0100016 Photo Available	81 Name : Pushpa Naik Husbands Name: Ratnakar Naik House Number : 159 Age : 54 Gender : Female	LJN1501360 Photo Available
82 Name : Gulab Naik Husbands Name: Gurudas Naik House Number : 159 Age : 52 Gender : Female	LJN1503036 Photo Available	83 Name : Mohandas Naik Fathers Name: Chandrakant Naik House Number : 159 Age : 51 Gender : Male	NUP0092874 Photo Available	84 Name : Nilesh Naik Fathers Name: Vasant Naik House Number : 159 Age : 48 Gender : Male	LJN1502830 Photo Available
85 Name : Lalita Naik Husbands Name: Mohandas Naik House Number : 159 Age : 48 Gender : Female	RCA0090894 Photo Available	86 Name : Supriya Naik Fathers Name: Vasant Naik House Number : 159 Age : 39 Gender : Female	NUP0101444 Photo Available	87 Name : Chandresh Naik Fathers Name: Gurudas Naik House Number : 159 Age : 19 Gender : Male	NUP0410704 Photo Available
E 88 Name : Vithe Naik Husbands Name: Dattu Naik House Number : 159/1 Age : 77 Gender : Female	LJN1295351 Photo Available	89 Name : Vishwas Naik Fathers Name: Dattu Naik House Number : 159/1 Age : 51 Gender : Male	NUP0223206 Photo Available	90 Name : Dyaneshwar Naik Fathers Name: Dattu Naik House Number : 159/1 Age : 45 Gender : Male	LJN1503929 Photo Available



91 Name : Sushma Naik Husbands Name: Vishwas Naik House Number : 159/1 Age : 44 Gender : Female Photo Available	LJN1509561	92 Name : Archana Naik Husbands Name: Paresh Naik House Number : 159/1 Age : 41 Gender : Female Photo Available	LJN7331754	93 Name : Satish Naik Fathers Name: Dattu Naik House Number : 159/1 Age : 41 Gender : Male Photo Available	LJN1502129
94 Name : Sandeep Naik Fathers Name: Dattu Naik House Number : 159/1 Age : 39 Gender : Male Photo Available	LJN1509736	95 Name : Paresh Naik Fathers Name: Dattu Naik House Number : 159/1 Age : 38 Gender : Male Photo Available	LJN1486596	96 Name : Jaipradha Naik Husbands Name: Dyaneshwar Naik House Number : 159/1 Age : 36 Gender : Female Photo Available	NUP0210898
97 Name : Prakash Naik Fathers Name: Babani Naik House Number : 160 Age : 64 Gender : Male Photo Available	LJN1504166	98 Name : Prajoti Naik Husbands Name: Prakash Naik House Number : 160 Age : 59 Gender : Female Photo Available	LJN1501196	99 Name : Paresh Naik Fathers Name: Babani Naik House Number : 160 Age : 54 Gender : Male Photo Available	NUP0382929
100 Name : Surekha Naik Husbands Name: Paresh Naik House Number : 160 Age : 46 Gender : Female Photo Available	NUP0255786	101 Name : Anandi Naik Husbands Name: Dattaram Naik House Number : 160/2 Age : 72 Gender : Female Photo Available	NUP0382911	102 Name : Rajendra Naik Fathers Name: Dattaram Naik House Number : 160/2 Age : 46 Gender : Male Photo Available	LJN1489293
103 Name : Rekha Naik Fathers Name: Dattaram Naik House Number : 160/2 Age : 43 Gender : Female Photo Available	LJN1504612	104 Name : Sulbha Naik Husbands Name: Rajendra Naik House Number : 160/2 Age : 43 Gender : Female Photo Available	JGZ4288023	105 Name : Prashli Naik Fathers Name: Dattaram Naik House Number : 160/2 Age : 38 Gender : Male Photo Available	LJN1489285
106 Name : Swati Naik Husbands Name: Prashli Naik House Number : 160/2 Age : 31 Gender : Female Photo Available	TUH0316323	E 107 Name : Vimal Naik Husbands Name: Sorya Naik House Number : 160/2 Age : 82 Gender : Female DELETED	LJN1296045	108 Name : Chandrika Naik Husbands Name: Rajesh Naik House Number : 161/1 Age : 45 Gender : Female Photo Available	NUP0293803
109 Name : Hanumant Naik Fathers Name: Surya Naik House Number : 161/1 Age : 45 Gender : Male Photo Available	LJN1506757	110 Name : Hashvita Naik Husbands Name: Hanumant Naik House Number : 161/1 Age : 45 Gender : Female Photo Available	HNL1374800	111 Name : Anand Naik Fathers Name: Ramchandra Naik House Number : 161/B Age : 68 Gender : Male Photo Available	NUP0382655
112 Name : Shubhadha Naik Husbands Name: Anand Naik House Number : 161/B Age : 67 Gender : Female Photo Available	LJN1295336	S 113 Name : Ankita Naik Fathers Name: Anand Naik House Number : 161/B Age : 30 Gender : Female DELETED	NUP0287565	114 Name : Sushila Naik Husbands Name: Yesu Naik House Number : 162 Age : 80 Gender : Female Photo Available	NUP0382648
115 Name : Gurudas Naik Fathers Name: Yesu Naik House Number : 162 Age : 32 Gender : Male Photo Available	NUP0255695	116 Name : Sandhya Pokle Husbands Name: Prabhakar Pokle House Number : 162/1 Age : 74 Gender : Female Photo Available	NUP0264499	117 Name : Prashant Pokle Fathers Name: Prabhakar Pokle House Number : 162/1 Age : 47 Gender : Male Photo Available	LJN1510015
118 Name : Anand Naik Fathers Name: Shiva Naik House Number : 163 Age : 58 Gender : Male Photo Available	NUP0267021	119 Name : Rajendra Naik Fathers Name: Shiva Naik House Number : 163 Age : 46 Gender : Male Photo Available	NUP0267054	120 Name : Radhika Naik Husbands Name: Rajendra Naik House Number : 163 Age : 45 Gender : Female Photo Available	HFF0775114



<p>121</p> <p>Name : Sharmila Naik Husbands Name: Anand Naik House Number : 163 Age : 44 Gender : Female</p> <p>Photo Available</p> <p>NUP0382697</p>	<p>E 122</p> <p>Name : Rohidas Naik Fathers Name: Yeswant Naik House Number : 163/A Age : 65 Gender : Male</p> <p>Photo Available</p> <p>NUP0102491</p>	<p>123</p> <p>Name : Roshni Naik Husbands Name: Rohidas Naik House Number : 163/A Age : 52 Gender : Female</p> <p>Photo Available</p> <p>NUP0224725</p>
<p>124</p> <p>Name : Santosh Naik Fathers Name: Ramdas Naik House Number : 163/A Age : 39 Gender : Male</p> <p>Photo Available</p> <p>LJN1489319</p>	<p>125</p> <p>Name : Premavati Sawant Husbands Name: Govind Sawant House Number : 164 Age : 87 Gender : Female</p> <p>Photo Available</p> <p>LJN8317489</p>	<p>126</p> <p>Name : Dashrath Sawant Fathers Name: Govind Sawant House Number : 164 Age : 63 Gender : Male</p> <p>Photo Available</p> <p>LJN1500024</p>
<p>127</p> <p>Name : Baban Sawant Fathers Name: Govind Sawant House Number : 164 Age : 58 Gender : Male</p> <p>Photo Available</p> <p>LJN1509124</p>	<p>128</p> <p>Name : Sanjay Sawant Fathers Name: Govind Sawant House Number : 164 Age : 51 Gender : Male</p> <p>Photo Available</p> <p>NUP0233106</p>	<p>129</p> <p>Name : Pratima Sawant Husbands Name: Sanjay Sawant House Number : 164 Age : 49 Gender : Female</p> <p>Photo Available</p> <p>LJN1509553</p>
<p>130</p> <p>Name : Rupali Sawant Husbands Name: Baban Sawant House Number : 164 Age : 47 Gender : Female</p> <p>Photo Available</p> <p>LJN1509116</p>	<p>131</p> <p>Name : Diksha Sawant Fathers Name: Dasharath Sawant House Number : 164 Age : 28 Gender : Female</p> <p>Photo Available</p> <p>NUP0316216</p>	<p>132</p> <p>Name : Saburi Sawant Fathers Name: Baban Sawant House Number : 164 Age : 20 Gender : Female</p> <p>Photo Available</p> <p>NUP0402842</p>
<p>133</p> <p>Name : Anant Sawant Fathers Name: Madhu Sawant House Number : 164/1 Age : 69 Gender : Male</p> <p>Photo Available</p> <p>LJN1506179</p>	<p>134</p> <p>Name : Suchita Sawant Husbands Name: Anant Sawant House Number : 164/1 Age : 51 Gender : Female</p> <p>Photo Available</p> <p>LJN1506187</p>	<p>135</p> <p>Name : Madhukar Sawant Fathers Name: Gajanan Sawant House Number : 164/2 Age : 79 Gender : Male</p> <p>Photo Available</p> <p>NUP0382622</p>
<p>136</p> <p>Name : Ujjwala Sawant Husbands Name: Madhukar Sawant House Number : 164/2 Age : 72 Gender : Female</p> <p>Photo Available</p> <p>LJN8317828</p>	<p>137</p> <p>Name : Urmila Sawant Husbands Name: Umakant Sawant House Number : 164/2 Age : 71 Gender : Female</p> <p>Photo Available</p> <p>LJN8317463</p>	<p>138</p> <p>Name : Amita Sawant Fathers Name: Umakant Sawant House Number : 164/2 Age : 42 Gender : Female</p> <p>Photo Available</p> <p>NUP0223115</p>
<p>139</p> <p>Name : Pravina Sawant Fathers Name: Umakant Sawant House Number : 164/2 Age : 40 Gender : Female</p> <p>Photo Available</p> <p>LJN1502111</p>	<p>140</p> <p>Name : Shalini Sawant Husbands Name: Jaiwant Sawant House Number : 165 Age : 81 Gender : Female</p> <p>Photo Available</p> <p>NUP0222091</p>	<p>141</p> <p>Name : Ratnadas Sawant Fathers Name: Jaiwant Sawant House Number : 165 Age : 63 Gender : Male</p> <p>Photo Available</p> <p>LJN0830703</p>
<p>142</p> <p>Name : Mohandas Sawant Fathers Name: Jaiwant Sawant House Number : 165 Age : 55 Gender : Male</p> <p>Photo Available</p> <p>NUP0382564</p>	<p>143</p> <p>Name : Maya Sawant Husbands Name: Ratnadas Sawant House Number : 165 Age : 55 Gender : Female</p> <p>Photo Available</p> <p>LJN0830752</p>	<p>144</p> <p>Name : Nilam Sawant Husbands Name: Mohandas Swant House Number : 165 Age : 51 Gender : Female</p> <p>Photo Available</p> <p>LJN1507797</p>
<p>145</p> <p>Name : Tribuvandas Sawant Fathers Name: Jaiwant Sawant House Number : 165 Age : 46 Gender : Male</p> <p>Photo Available</p> <p>LJN8321580</p>	<p>146</p> <p>Name : Manjita Sawant Husbands Name: Tribhuvandas Sawant House Number : 165 Age : 42 Gender : Female</p> <p>Photo Available</p> <p>BGP1222207</p>	<p>147</p> <p>Name : Laxmi Naik Husbands Name: Babalo Naik House Number : 166/1 Age : 75 Gender : Female</p> <p>Photo Available</p> <p>NUP0382556</p>
<p>148</p> <p>Name : Anand Naik Fathers Name: Babalo Naik House Number : 166/1 Age : 57 Gender : Male</p> <p>Photo Available</p> <p>LJN1507029</p>	<p>149</p> <p>Name : Khushali Babalo Naik Fathers Name: Babalo Naik House Number : 166/1 Age : 51 Gender : Male</p> <p>Photo Available</p> <p>NUP0100511</p>	<p>150</p> <p>Name : Surekha Naik Husbands Name: Kushali Naik House Number : 166/1 Age : 50 Gender : Female</p> <p>Photo Available</p> <p>LJN1506831</p>



<p>151</p> <p>Name : Shraddha Naik Husbands Name: Anand Naik House Number : 166/1 Age : 49 Gender : Female</p> <p>Photo Available</p>	<p>LJN1502913</p>	<p>152</p> <p>Name : Harshada Naik Fathers Name: Khushali Naik House Number : 166/1 Age : 20 Gender : Female</p> <p>Photo Available</p>	<p>NUP0412924</p>	<p>153</p> <p>Name : Tulshidas Naik Fathers Name: Babuli Naik House Number : 166/2 Age : 75 Gender : Male</p> <p>Photo Available</p>	<p>LJN1486505</p>
<p>154</p> <p>Name : Suvarna Naik Husbands Name: Tulshidas Naik House Number : 166/2 Age : 67 Gender : Female</p> <p>Photo Available</p>	<p>NUP0382549</p>	<p>155</p> <p>Name : Chandreshwar Naik Fathers Name: Tulshidas Naik House Number : 166/2 Age : 41 Gender : Male</p> <p>Photo Available</p>	<p>NUP0092262</p>	<p>156</p> <p>Name : Yuvraj Naik Fathers Name: Tulshidas Naik House Number : 166/2 Age : 38 Gender : Male</p> <p>Photo Available</p>	<p>LJN1486646</p>
<p>157</p> <p>Name : Gauri Naik Husbands Name: Chandreshwar Naik House Number : 166/2 Age : 36 Gender : Female</p> <p>Photo Available</p>	<p>BGP1199538</p>	<p>158</p> <p>Name : Pooja Naik Fathers Name: Tulshidas Naik House Number : 166/2 Age : 33 Gender : Female</p> <p>Photo Available</p>	<p>NUP0255703</p>	<p>159</p> <p>Name : Prashila Naik Fathers Name: Narayan Naik House Number : 166/2 Age : 32 Gender : Female</p> <p>Photo Available</p>	<p>NUP0252726</p>
<p>160</p> <p>Name : Nanda Naik Fathers Name: Sitaram Naik House Number : 166/3 Age : 55 Gender : Male</p> <p>Photo Available</p>	<p>NUP0382531</p>	<p>161</p> <p>Name : Lalita Naik Husbands Name: Nanda Naik House Number : 166/3 Age : 51 Gender : Female</p> <p>Photo Available</p>	<p>NUP0251249</p>	<p>162</p> <p>Name : Damodar Naik Fathers Name: Nanda Naik House Number : 166/3 Age : 27 Gender : Male</p> <p>Photo Available</p>	<p>NUP0312421</p>
<p>163</p> <p>Name : Dinesh Naik Fathers Name: Nanda Naik House Number : 166/3 Age : 25 Gender : Male</p> <p>Photo Available</p>	<p>NUP0324772</p>	<p>164</p> <p>Name : Girija Naik Husbands Name: Gurudas Naik House Number : 166/4 Age : 65 Gender : Female</p> <p>Photo Available</p>	<p>LJN1507680</p>	<p>165</p> <p>Name : Krishna Naik Fathers Name: Sitaram Naik House Number : 166/4 Age : 57 Gender : Male</p> <p>Photo Available</p>	<p>LJN1506005</p>
<p>166</p> <p>Name : Radha Naik Husbands Name: Krishna Naik House Number : 166/4 Age : 49 Gender : Female</p> <p>Photo Available</p>	<p>LJN1505999</p>	<p>167</p> <p>Name : Meghasham Naik Fathers Name: Gurudas Naik House Number : 166/4 Age : 40 Gender : Male</p> <p>Photo Available</p>	<p>LJN1488972</p>	<p>168</p> <p>Name : Pandurang Parsekar Fathers Name: Nilkant Parsekar House Number : 167 Age : 69 Gender : Male</p> <p>Photo Available</p>	<p>LJN1501675</p>
<p>169</p> <p>Name : Poonam Parsekar Husbands Name: Pandurang Parsekar House Number : 167 Age : 64 Gender : Female</p> <p>Photo Available</p>	<p>LJN1504638</p>	<p>170</p> <p>Name : Ashok Parsekar Fathers Name: Nilkant Parsekar House Number : 167 Age : 64 Gender : Male</p> <p>DELETED</p> <p>Photo Available</p>	<p>NUP0271528</p>	<p>171</p> <p>Name : Leela Naik Husbands Name: Bhikaro Naik House Number : 167/1 Age : 76 Gender : Female</p> <p>Photo Available</p>	<p>NUP0382481</p>
<p>172</p> <p>Name : Bhanudas Naik Fathers Name: Bhikaro Naik House Number : 167/1 Age : 56 Gender : Male</p> <p>Photo Available</p>	<p>NUP0382473</p>	<p>173</p> <p>Name : Kishor Naik Fathers Name: Bhikaro Naik House Number : 167/1 Age : 54 Gender : Male</p> <p>Photo Available</p>	<p>NUP0382465</p>	<p>174</p> <p>Name : Kiran Naik Fathers Name: Bhikaro Naik House Number : 167/1 Age : 52 Gender : Male</p> <p>Photo Available</p>	<p>NUP0102426</p>
<p>175</p> <p>Name : Vasanti Naik Husbands Name: Kiran Naik House Number : 167/1 Age : 49 Gender : Female</p> <p>Photo Available</p>	<p>NUP0382440</p>	<p>176</p> <p>Name : Mohini Naik Husbands Name: Bhanudas Naik House Number : 167/1 Age : 50 Gender : Female</p> <p>Photo Available</p>	<p>NUP0382457</p>	<p>177</p> <p>Name : Kavita Naik Husbands Name: Kishor Naik House Number : 167/1 Age : 49 Gender : Female</p> <p>Photo Available</p>	<p>NUP0210922</p>
<p>178</p> <p>Name : Anil Naik Fathers Name: Bhikaro Naik House Number : 167/1 Age : 45 Gender : Male</p> <p>Photo Available</p>	<p>NUP0210864</p>	<p>179</p> <p>Name : Narayan Naik Fathers Name: Bhikaro Naik House Number : 167/1 Age : 41 Gender : Male</p> <p>Photo Available</p>	<p>LJN0815043</p>	<p>180</p> <p>Name : Yatin Malik Fathers Name: Pandurang Malik House Number : 167/A Age : 51 Gender : Male</p> <p>Photo Available</p>	<p>NUP0294025</p>



181 Name : Sumati Naik Husbands Name: Budu Naik House Number : 167/A Age : 76 Gender : Female	LJN1504646 Photo Available	182 Name : Chamell Naik Fathers Name: Budu Naik House Number : 167/A Age : 48 Gender : Female	LJN1514074 Photo Available	183 Name : Jalesh Naik Fathers Name: Budu Naik House Number : 167/A Age : 46 Gender : Male	LJN1503952 Photo Available
184 Name : Purshottam Naik Fathers Name: Budu Naik House Number : 167/A Age : 42 Gender : Male	LJN1500891 Photo Available	185 Name : Nilirna Naik Fathers Name: Budu Naik House Number : 167/A Age : 39 Gender : Female	LJN1519362 Photo Available	186 Name : Suvarna Naik Husbands Name: Purushottam Naik House Number : 167/A Age : 35 Gender : Female	NUP0324848 Photo Available
187 Name : Apurva Bakhale Husbands Name: Shaunak Bakhale House Number : 167/B-1 Age : 33 Gender : Female	NUP0410738 Photo Available	188 Name : Indumati Naik Husbands Name: Kushali Naik House Number : 168 Age : 79 Gender : Female	NUP0102103 Photo Available	189 Name : Sudha Naik Husbands Name: Kantak Naik House Number : 168 Age : 69 Gender : Female	NUP0271189 Photo Available
190 Name : Sujata Naik Husbands Name: Anand Naik House Number : 168 Age : 67 Gender : Female	NUP0101170 Photo Available	191 Name : Anand Naik Fathers Name: Kushali Naik House Number : 168 Age : 69 Gender : Male	NUP0101188 Photo Available	192 Name : Kavita Naik Husbands Name: Kalidas Naik House Number : 168 Age : 61 Gender : Female	NUP0102095 Photo Available
E 193 Name : Vishwas Naik Fathers Name: Kushali Naik House Number : 168 Age : 56 Gender : Male	NUP0099994 Photo Available	194 Name : Sudin Naik Fathers Name: Kantak Naik House Number : 168 Age : 53 Gender : Male	LJN1507219 Photo Available	195 Name : Damodar Naik Fathers Name: Kantak Naik House Number : 168 Age : 51 Gender : Male	LJN1509082 Photo Available
196 Name : Manda Naik Husbands Name: Vishwas Naik House Number : 168 Age : 50 Gender : Female	LJN1501097 Photo Available	197 Name : Sunil Naik Fathers Name: Kantak Naik House Number : 168 Age : 49 Gender : Male	NUP0382309 Photo Available	198 Name : Uma Naik Husbands Name: Sunil Naik House Number : 168 Age : 45 Gender : Female	LJN8317760 Photo Available
199 Name : Shanta Naik Husbands Name: Sudin Naik House Number : 168 Age : 43 Gender : Female	LJN1505387 Photo Available	200 Name : Suraj Naik Fathers Name: Anand Naik House Number : 168 Age : 43 Gender : Male	NUP0101840 Photo Available	201 Name : Satvil Naik Fathers Name: Anand Naik House Number : 168 Age : 30 Gender : Male	NUP0287573 Photo Available
202 Name : Ashmita Naik Husbands Name: Suraj Naik House Number : 168 Age : 30 Gender : Female	WUC0235457 Photo Available	203 Name : Vidiksha Naik Fathers Name: vishwas Naik House Number : 168 Age : 23 Gender : Female	NUP0341073 Photo Available	204 Name : Sulochana Naik Husbands Name: Venkatesh Naik House Number : 168/1 Age : 75 Gender : Female	LJN1505742 Photo Available
205 Name : Dilip Naik Fathers Name: Venkatesh Naik House Number : 168/1 Age : 54 Gender : Male	LJN1509876 Photo Available	E 206 Name : Mohan Naik Fathers Name: Venkatesh Naik House Number : 168/1 Age : 52 Gender : Male	NUP0210542 Photo Available	207 Name : Jairam Naik Fathers Name: Venkatesh Naik House Number : 168/1 Age : 47 Gender : Male	LJN1505783 Photo Available
208 Name : Kalpana Naik Fathers Name: Venkatesh Naik House Number : 168/1 Age : 44 Gender : Female	LJN1509595 Photo Available	209 Name : Shanta Naik Fathers Name: Venkatesh Naik House Number : 168/1 Age : 41 Gender : Female	LJN1505775 Photo Available	210 Name : Janu Naik Fathers Name: Kolo Naik House Number : 169/1 Age : 69 Gender : Male	NUP0099333 Photo Available



211 Name : Daya Naik Fathers Name: Janu Naik House Number : 169/1 Age : 51 Gender : Male	LJN1499730 Photo Available	212 Name : Babita Naik Husbands Name: Daya Naik House Number : 169/1 Age : 48 Gender : Female	LJN1499722 Photo Available	213 Name : Laxmikant Naik Fathers Name: Janu Naik House Number : 169/1 Age : 42 Gender : Male	LJN1488519 Photo Available
214 Name : Namrata Naik Husbands Name: Laxmikant Naik House Number : 169/1 Age : 37 Gender : Female	LJN1490309 Photo Available	215 Name : Krishnanath Naik Fathers Name: Vishnu Naik House Number : 170 Age : 66 Gender : Male	LJN1502202 Photo Available	216 Name : Kamini Naik Husbands Name: Krishnanath Naik House Number : 170 Age : 57 Gender : Female	LJN1502194 Photo Available
217 Name : Shubhaga Naik Fathers Name: Krishnanath Naik House Number : 170 Age : 34 Gender : Female	NUP0255752 Photo Available	218 Name : Ashish Naik Fathers Name: Kashinath Naik House Number : 170 Age : 24 Gender : Male	NUP0331645 Photo Available	219 Name : Ankush Naik Fathers Name: Narayan Naik House Number : 171 Age : 57 Gender : Male	NUP0382226 Photo Available
220 Name : Subash Naik Fathers Name: Narayan Naik House Number : 171 Age : 52 Gender : Male	LJN1489681 Photo Available	221 Name : Manik Naik Husbands Name: Ankush Naik House Number : 171 Age : 48 Gender : Female	LJN8317687 Photo Available	222 Name : Sukanti Naik Husbands Name: Subash Naik House Number : 171 Age : 47 Gender : Female	LJN1489673 Photo Available
223 Name : Sangita Naik Husbands Name: Avadhut Naik House Number : 171 Age : 47 Gender : Female	NUP0287623 Photo Available	224 Name : Avaduta Naik Fathers Name: Narayan Naik House Number : 171 Age : 46 Gender : Male	LJN1489483 Photo Available	225 Name : Shubham Naik Fathers Name: Subash Naik House Number : 171 Age : 26 Gender : Male	NUP0317115 Photo Available
226 Name : Aniket Naik Fathers Name: Ankush Naik House Number : 171 Age : 23 Gender : Male	NUP0338129 Photo Available	227 Name : Sanket Naik Fathers Name: Subhash Naik House Number : 171 Age : 23 Gender : Male	NUP0338566 Photo Available	228 Name : Ashveak Naik Fathers Name: Ankush Naik House Number : 171 Age : 21 Gender : Male	NUP0397760 Photo Available
# 229 Name : Pramila Naik Husbands Name: Durgadas Naik House Number : H.No. 175/A Age : 50 Gender : Female	NUP0255729 Photo Available	230 Name : Nail Naik Husbands Name: Shaban Naik House Number : 173/B Age : 74 Gender : Female	NUP0093898 Photo Available	231 Name : Madhukar Naik Fathers Name: Shaban Naik House Number : 173/B Age : 54 Gender : Male	LJN1510619 Photo Available
232 Name : Pranila Naik Husbands Name: Pradip Naik House Number : 173/B Age : 49 Gender : Female	NUP0267039 Photo Available	233 Name : Jyoti Naik Husbands Name: Madhukar Naik House Number : 173/B Age : 49 Gender : Female	LJN1505668 Photo Available	234 Name : Pradip Naik Fathers Name: Shaban Naik House Number : 173/B Age : 52 Gender : Male	NUP0151290 Photo Available
235 Name : Sadanand Naik Fathers Name: Shaban Naik House Number : 173/B Age : 42 Gender : Male	LJN1511609 Photo Available	236 Name : Siya Naik Husbands Name: Sadanand Naik House Number : 173/B Age : 38 Gender : Female	NUP0305334 Photo Available	237 Name : Pushpak Naik Fathers Name: Madhukar Naik House Number : 173/B Age : 28 Gender : Male	NUP0305326 Photo Available
238 Name : Mrithila Naik Fathers Name: Madhukar Naik House Number : 173/B Age : 23 Gender : Female	NUP0336990 Photo Available	E 239 Name : Premavati Naik Husbands Name: Harichandra Naik House Number : 173/B Age : 79 Gender : Female	NUP0382176 Photo Available	240 Name : Satyata Naik Husbands Name: Bomi Naik House Number : 174 Age : 69 Gender : Female	LJN1486927 Photo Available



<p>241</p> <p>Name : Gokuldas Naik Fathers Name: Anant Naik House Number : 174 Age : 67 Gender : Male</p> <p>Photo Available</p>	<p>NUP0224998</p>	<p>242</p> <p>Name : Suresh Naik Fathers Name: Harishchandra Naik House Number : 174 Age : 54 Gender : Male</p> <p>Photo Available</p>	<p>LJN1509769</p>	<p>243</p> <p>Name : Tejasvi Naik Husbands Name: Suresh Naik House Number : 174 Age : 46 Gender : Female</p> <p>Photo Available</p>	<p>NUP0255737</p>
<p>244</p> <p>Name : Deepak Naik Fathers Name: Bomi Naik House Number : 174 Age : 35 Gender : Male</p> <p>Photo Available</p>	<p>NUP0301515</p>	<p>245</p> <p>Name : Shivdas Naik Fathers Name: Tilu Naik House Number : 175 Age : 61 Gender : Male</p> <p>Photo Available</p>	<p>NUP0223073</p>	<p>246</p> <p>Name : Roshan Naik Husbands Name: Shivdas Naik House Number : 175 Age : 55 Gender : Female</p> <p>Photo Available</p>	<p>NUP0342832</p>
<p>247</p> <p>Name : Tanvi Naik Fathers Name: Shivdas Naik House Number : 175 Age : 28 Gender : Female</p> <p>Photo Available</p>	<p>NUP0312496</p>	<p>248</p> <p>Name : Sangharsh Naik Fathers Name: Shivdas Naik House Number : 175 Age : 25 Gender : Male</p> <p>Photo Available</p>	<p>NUP0324855</p>	<p>249</p> <p>Name : Durgadas Naik Fathers Name: Tilu Naik House Number : 175/1 Age : 53 Gender : Male</p> <p>Photo Available</p>	<p>NUP0094896</p>
<p>E 250</p> <p>Name : Kashinath Naik Fathers Name: Tilu Naik House Number : 175/2 Age : 79 Gender : Male</p> <p>Photo Available</p>	<p>NUP0222612</p>	<p>251</p> <p>Name : Reshma Naik Husbands Name: Kashinath Naik House Number : 175/2 Age : 64 Gender : Female</p> <p>Photo Available</p>	<p>NUP0091140</p>	<p>252</p> <p>Name : Tilu Naik Fathers Name: Kashinath Naik House Number : 175/2 Age : 44 Gender : Male</p> <p>Photo Available</p>	<p>LJN1506914</p>
<p>#2 253</p> <p>Name : Viraj Naik Fathers Name: Kashinath Naik House Number : 175/2 Age : 42 Gender : Male</p> <p>Photo Available</p>	<p>LJN1486620</p>	<p>254</p> <p>Name : Jyostna Naik Husbands Name: Viraj Naik House Number : 175/2 Age : 41 Gender : Female</p> <p>Photo Available</p>	<p>LJN0950949</p>	<p>255</p> <p>Name : Shabnam Naik Husbands Name: Tilu Naik House Number : 175/2 Age : 35 Gender : Female</p> <p>Photo Available</p>	<p>NUP0294033</p>
<p>256</p> <p>Name : Vijaya Naik Husbands Name: Shanu Naik House Number : 175/3 Age : 62 Gender : Female</p> <p>Photo Available</p>	<p>NUP0382135</p>	<p>257</p> <p>Name : Sandesh Naik Fathers Name: Shanu Naik House Number : 175/3 Age : 38 Gender : Male</p> <p>Photo Available</p>	<p>LJN1505536</p>	<p># 258</p> <p>Name : Seema Naik Husbands Name: Ramdas Naik House Number : H.No. 175/4(A) Age : 64 Gender : Female</p> <p>Photo Available</p>	<p>NUP0232959</p>
<p>259</p> <p>Name : Sonali Naik Fathers Name: Ramdas Naik House Number : 175/4 Age : 39 Gender : Female</p> <p>Photo Available</p>	<p>LJN1504000</p>	<p>260</p> <p>Name : Sneha Naik Fathers Name: Ramdas Naik House Number : 175/4 Age : 34 Gender : Female</p> <p>Photo Available</p>	<p>NUP0287680</p>	<p>261</p> <p>Name : Amar Naik Fathers Name: Ramdas Naik House Number : 175/4 Age : 33 Gender : Male</p> <p>Photo Available</p>	<p>NUP0255794</p>
<p># 262</p> <p>Name : Nikhil Naik Fathers Name: Ramdas Naik House Number : H.No. 175/4(A) Age : 32 Gender : Male</p> <p>Photo Available</p>	<p>NUP0287672</p>	<p>263</p> <p>Name : Akshay Naik Fathers Name: Ramdas Naik House Number : 175/4 Age : 31 Gender : Male</p> <p>Photo Available</p>	<p>NUP0287722</p>	<p>264</p> <p>Name : Durguem Balcrisna Naique Mothers Name: Amar Naik House Number : 175/4 Age : 57 Gender : Female</p> <p>Photo Available</p>	<p>NUP0410555</p>
<p>265</p> <p>Name : Kalidas Naik Fathers Name: Namdev Naik House Number : 176 Age : 63 Gender : Male</p> <p>Photo Available</p>	<p>NUP0101584</p>	<p>266</p> <p>Name : Milan Naik Husbands Name: Kalidas Naik House Number : 176 Age : 63 Gender : Female</p> <p>Photo Available</p>	<p>LJN8317117</p>	<p>267</p> <p>Name : Krutika Pokhale Husbands Name: Ketan Pokhale House Number : 179/2 Age : 33 Gender : Female</p> <p>Photo Available</p>	<p>ZOV0231209</p>
<p>268</p> <p>Name : Deelip Pokle Fathers Name: Kashinath Pokle House Number : 179/2 Age : 62 Gender : Male</p> <p>Photo Available</p>	<p>NUP0094938</p>	<p>269</p> <p>Name : Reshma Pokle Husbands Name: Deelip Pokle House Number : 179/2 Age : 61 Gender : Female</p> <p>Photo Available</p>	<p>LJN1499466</p>	<p>270</p> <p>Name : Ketan Pokle Fathers Name: Deelip Pokle House Number : 179/2 Age : 38 Gender : Male</p> <p>Photo Available</p>	<p>LJN1514603</p>



<p>271</p> <p>Name : Suresh Pokle Fathers Name: Kashinath Pokle House Number : 179/D Age : 67 Gender : Male</p> <p>Photo Available</p>	LJN1505486	<p>272</p> <p>Name : Jayanti Pokle Husbands Name: Suresh Pokle House Number : 179/D Age : 63 Gender : Female</p> <p>Photo Available</p>	LJN1499474	<p>273</p> <p>Name : Vishal Pokle Fathers Name: Suresh Pokle House Number : 179/D Age : 38 Gender : Male</p> <p>Photo Available</p>	LJN1505494
<p>274</p> <p>Name : Jayandra Naik Fathers Name: Narayan Naik House Number : 180/A Age : 50 Gender : Male</p> <p>Photo Available</p>	LJN8317935	<p>275</p> <p>Name : Sukanti Naik Pokle Husbands Name: Ramdas Naik Pokle House Number : 180/A Age : 69 Gender : Female</p> <p>Photo Available</p>	LJN1500370	<p>276</p> <p>Name : Vishant Naik Pokle Fathers Name: Ramdas Naik Pokle House Number : 180/A Age : 43 Gender : Male</p> <p>Photo Available</p>	NUP0277863
<p>277</p> <p>Name : Shellesh Naik Pokle Fathers Name: Ramdas Naik Pokle House Number : 180/A Age : 41 Gender : Male</p> <p>Photo Available</p>	LJN1500388	<p>278</p> <p>Name : Mangala Pokle Husbands Name: Jivanand Pokle House Number : 180/A Age : 73 Gender : Female</p> <p>Photo Available</p>	NUP0324889	<p>279</p> <p>Name : Siddharth Pokle Fathers Name: Jivanand Pokle House Number : 180/A Age : 47 Gender : Male</p> <p>Photo Available</p>	NUP0324863
<p>280</p> <p>Name : Sushma Pokle Husbands Name: Sidharth Pokle House Number : 180/A Age : 45 Gender : Female</p> <p>Photo Available</p>	NUP0324871	<p>281</p> <p>Name : Mandavati Naik Husbands Name: Narcirva Naik House Number : 181 Age : 66 Gender : Female</p> <p>Photo Available</p>	NUP0382044	<p>282</p> <p>Name : Sidhanand Naik Fathers Name: Narcirva Naik House Number : 181 Age : 44 Gender : Male</p> <p>Photo Available</p>	LJN8317414
<p>283</p> <p>Name : Priyanka Naik Husbands Name: Sidhanand Naik House Number : 181 Age : 31 Gender : Female</p> <p>Photo Available</p>	NUP0300657	<p>284</p> <p>Name : Tulshidas Naik Fathers Name: Sitaram Naik House Number : 181/A Age : 67 Gender : Male</p> <p>Photo Available</p>	NUP0382036	<p>285</p> <p>Name : Sagar Naik Fathers Name: Tulshidas Naik House Number : 181/A Age : 41 Gender : Male</p> <p>Photo Available</p>	LJN8318040
<p>286</p> <p>Name : Servesh Naik Fathers Name: Tulshidas Naik House Number : 181/A Age : 40 Gender : Male</p> <p>Photo Available</p>	LJN1488147	<p>287</p> <p>Name : Sudhesh Naik Fathers Name: Tulshidas Naik House Number : 181/A Age : 35 Gender : Male</p> <p>Photo Available</p>	NUP0287748	<p>288</p> <p>Name : Geeta Naik Husbands Name: Jaiwant Naik House Number : 182 Age : 58 Gender : Female</p> <p>Photo Available</p>	NUP0221689
<p>S 289</p> <p>Name : Balaji Naik Fathers Name: Das Naik House Number : 182 Age : 33 Gender : Male</p> <p>Photo Available</p>	NUP0275081	<p>290</p> <p>Name : Shreya Naik Fathers Name: Jaiwant Naik House Number : 182 Age : 23 Gender : Female</p> <p>Photo Available</p>	NUP0340752	<p>291</p> <p>Name : Vijayanti Naik Pokle Husbands Name: Ghanasham Naik Pokle House Number : 182 Age : 64 Gender : Female</p> <p>Photo Available</p>	NUP0221481
<p>292</p> <p>Name : Mahadev Naik Pokle Fathers Name: Pundalik Naik Pokle House Number : 182 Age : 62 Gender : Male</p> <p>Photo Available</p>	NUP0224287	<p>293</p> <p>Name : Pundalik Alias Prathamesh Naik Pokle Fathers Name: Ghanashyam Naik Pokle House Number : 182 Age : 34 Gender : Male</p> <p>Photo Available</p>	NUP0224105	<p>294</p> <p>Name : Kanchan Pokle Fathers Name: Pundalik Pokle House Number : 182 Age : 49 Gender : Female</p> <p>Photo Available</p>	NUP0271064
<p>295</p> <p>Name : Satchit Naik Fathers Name: Vithoba Naik House Number : 182/1 Age : 47 Gender : Male</p> <p>Photo Available</p>	LJN1489822	<p>296</p> <p>Name : Suvarna Naik Husbands Name: Satchit Naik House Number : 182/1 Age : 42 Gender : Female</p> <p>Photo Available</p>	NUP0312462	<p>297</p> <p>Name : Jeetendra Naik Pokle Fathers Name: Vithoba Naik Pokle House Number : 182/1 Age : 52 Gender : Male</p> <p>Photo Available</p>	NUP0110981
<p>298</p> <p>Name : Sampada Naik Pokle Husbands Name: Jeetendra Naik Pokle House Number : 182/1 Age : 49 Gender : Female</p> <p>Photo Available</p>	NUP0111146	<p>299</p> <p>Name : Vithoba Pokle Fathers Name: Raghuvir Pokle House Number : 182/1 Age : 79 Gender : Male</p> <p>Photo Available</p>	NUP0110890	<p>300</p> <p>Name : Prema Pokle Husbands Name: Vithoba Pokle House Number : 182/1 Age : 75 Gender : Female</p> <p>Photo Available</p>	NUP0110841



<p>301</p> <p>Name : Ulhas Pokle Fathers Name: Vithoba Pokle House Number : 182/1 Age : 51 Gender : Male</p> <p>Photo</p> <p>Available</p>	NUP0221218	<p>302</p> <p>Name : Sujata Pokle Husbands Name: Ulhas Pokle House Number : 182/1 Age : 49 Gender : Female</p> <p>Photo</p> <p>Available</p>	LJN1505411	<p>303</p> <p>Name : Krishna Pokle Fathers Name: Chandrakant Pokle House Number : 182/2 Age : 56 Gender : Male</p> <p>Photo</p> <p>Available</p>	NUP0099432
<p>304</p> <p>Name : Shali Pokle Husbands Name: Manguesh Pokle House Number : 182/A Age : 86 Gender : Female</p> <p>Photo</p> <p>Available</p>	NUP0382010	<p>305</p> <p>Name : Milan Pokle Fathers Name: Manguesh Pokle House Number : 182/A Age : 54 Gender : Female</p> <p>Photo</p> <p>Available</p>	LJN1488881	<p>S 306</p> <p>Name : Mishty Naik Fathers Name: Balaji Naik House Number : 182/B Age : 34 Gender : Female</p> <p>Photo</p> <p>Available</p>	TMN0222539
<p>307</p> <p>Name : Rukmini Naik Pokle Husbands Name: Chandrakant Naik Pokle House Number : 182/B Age : 89 Gender : Female</p> <p>Photo</p> <p>Available</p>	NUP0099424	<p>308</p> <p>Name : Ranganath Naik Pokle Fathers Name: Chandrakant Naik Pokle House Number : 182/B Age : 67 Gender : Male</p> <p>Photo</p> <p>Available</p>	NUP0093351	<p>309</p> <p>Name : Disha Naik Pokle Husbands Name: Das Naik Pokle House Number : 182/B Age : 66 Gender : Female</p> <p>Photo</p> <p>Available</p>	NUP0271114
<p>310</p> <p>Name : Sumati Naik Pokle Husbands Name: Ranganath Naik Pokle House Number : 182/B Age : 64 Gender : Female</p> <p>Photo</p> <p>Available</p>	NUP0093807	<p>311</p> <p>Name : Uday Naik Pokle Fathers Name: Chandrakant Naik Pokle House Number : 182/B Age : 61 Gender : Male</p> <p>Photo</p> <p>Available</p>	LJN1504075	<p>312</p> <p>Name : Rupa Naik Pokle Husbands Name: Uday Naik Pokle House Number : 182/B Age : 56 Gender : Female</p> <p>Photo</p> <p>Available</p>	NUP0271015
<p>313</p> <p>Name : Ravindra Naik Pokle Fathers Name: Ranganath Naik Pokle House Number : 182/B Age : 38 Gender : Male</p> <p>Photo</p> <p>Available</p>	LJN1488154	<p>314</p> <p>Name : Prajot Naik Pokle Fathers Name: Ranganath Naik Pokle House Number : 182/B Age : 36 Gender : Male</p> <p>Photo</p> <p>Available</p>	NUP0224832	<p>315</p> <p>Name : Devendra Pokle Fathers Name: Ranganath Pokle House Number : 182/B Age : 31 Gender : Male</p> <p>Photo</p> <p>Available</p>	NUP0287649
<p>316</p> <p>Name : Rupesh Pokle Fathers Name: Uday Pokle House Number : 182/B Age : 26 Gender : Male</p> <p>Photo</p> <p>Available</p>	NUP0316224	<p>317</p> <p>Name : Utkarsha Pokle Fathers Name: Uday Pokle House Number : 182/B Age : 23 Gender : Female</p> <p>Photo</p> <p>Available</p>	NUP0338111	<p>318</p> <p>Name : Gauresh Naik Fathers Name: Gurudas Naik House Number : 182/C Age : 36 Gender : Male</p> <p>Photo</p> <p>Available</p>	NUP0294009
<p>319</p> <p>Name : Kalindi Naik Pokale Husbands Name: Ramraj Naik Pokale House Number : 182/C Age : 84 Gender : Female</p> <p>Photo</p> <p>Available</p>	LJN1517150	<p>320</p> <p>Name : Lata Naik Pokale Husbands Name: Gurudas Naik Pokale House Number : 182/C Age : 53 Gender : Female</p> <p>Photo</p> <p>Available</p>	NUP0381939	<p>321</p> <p>Name : Durvas Naik Pokale Fathers Name: Ramraj Naik Pokale House Number : 182/C Age : 51 Gender : Male</p> <p>Photo</p> <p>Available</p>	NUP0093740
<p>322</p> <p>Name : Chitra Naik Pokale Husbands Name: Durvas Naik Pokale House Number : 182/C Age : 45 Gender : Female</p> <p>Photo</p> <p>Available</p>	NUP0093757	<p>323</p> <p>Name : Ramraj Naik Pokale Fathers Name: Gurudas Naik Pokale House Number : 182/C Age : 31 Gender : Male</p> <p>Photo</p> <p>Available</p>	NUP0275107	<p>324</p> <p>Name : Saish Pokale Fathers Name: Durvas Naik Pokale House Number : 182/C Age : 19 Gender : Male</p> <p>Photo</p> <p>Available</p>	NUP0410100
<p>325</p> <p>Name : Eshani Bakhle Fathers Name: Chandrashekhar Bakhle House Number : 183/1 Age : 26 Gender : Female</p> <p>Photo</p> <p>Available</p>	NUP0317107	<p>326</p> <p>Name : Vijaya Bakhle Husbands Name: Anand Bakhle House Number : 183/3 Age : 82 Gender : Female</p> <p>Photo</p> <p>Available</p>	NUP0381921	<p>327</p> <p>Name : Chandrashekhar Bakhle Fathers Name: Anand Bakhle House Number : 183/3 Age : 58 Gender : Male</p> <p>Photo</p> <p>Available</p>	NUP0110163
<p>328</p> <p>Name : Surekha Bakhle Husbands Name: Chandrashekhar Bakhle House Number : 183/3 Age : 52 Gender : Female</p> <p>Photo</p> <p>Available</p>	LJN1505163	<p>329</p> <p>Name : Arnogh Bakhle Fathers Name: Chandrashekhar Bakhle House Number : 183/3 Age : 25 Gender : Male</p> <p>Photo</p> <p>Available</p>	NUP0324798	<p>330</p> <p>Name : Pabudan Singh Fathers Name: Shayar Singh House Number : 183/3 Age : 37 Gender : Male</p> <p>Photo</p> <p>Available</p>	NUP0295295



331 Name : Santosh Bakhale Fathers Name: Shrikant Bakhale House Number : 184/A Age : 66 Gender : Male	NUP0277871 Photo Available	332 Name : Pratibha Prashant Bakhale Husbands Name: Prashant Bakhale House Number : 184/A Age : 55 Gender : Female	LJN1509512 Photo Available	333 Name : Prajot Bakhale Fathers Name: Prashant Bakhale House Number : 184/A Age : 29 Gender : Male	NUP0297291 Photo Available
334 Name : Daya Bhakale Husbands Name: Santosh Bhakale House Number : 184/A Age : 66 Gender : Female	LJN1510049 Photo Available	335 Name : Prashant Bhakale Fathers Name: Shrikant Bhakale House Number : 184/A Age : 60 Gender : Male	LJN1509504 Photo Available	336 Name : Subhash Choudhari Fathers Name: Hamathram Choudhari House Number : 185 Age : 43 Gender : Male	LJN1513167 Photo Available
337 Name : Sagar Chowdhari Fathers Name: Harnathram Chowdhari House Number : 185 Age : 41 Gender : Male	LJN1513159 Photo Available	338 Name : Diptesh Naik Fathers Name: Sadanand Naik House Number : 185 Age : 24 Gender : Male	NUP0331652 Photo Available	339 Name : Ranganath Naik Fathers Name: Raghu Naik House Number : 185/2 Age : 74 Gender : Male	LJN1515840 Photo Available
340 Name : Gulabi Naik Husbands Name: Ranganath Naik House Number : 185/2 Age : 64 Gender : Female	NUP0101535 Photo Available	341 Name : Sharada Naik Husbands Name: Sadanand Naik House Number : 185/2 Age : 61 Gender : Female	LJN1499706 Photo Available	342 Name : Sanjay Naik Fathers Name: Raghu Naik House Number : 185/2 Age : 55 Gender : Male	NUP0264507 Photo Available
343 Name : Shital Naik Husbands Name: Sanjay Naik House Number : 185/2 Age : 49 Gender : Female	LJN8306581 Photo Available	344 Name : Sagar Naik Fathers Name: Ranganath Naik House Number : 185/2 Age : 38 Gender : Male	LJN1501998 Photo Available	E 345 Name : Satyawati Naik Husbands Name: Krishna Naik House Number : 185/3 Age : 89 Gender : Female	NUP0100008 Photo Available
346 Name : Ramakant Naik Fathers Name: Krishna Naik House Number : 185/3 Age : 74 Gender : Male	NUP0092346 Photo Available	347 Name : Sulochana Naik Husbands Name: Ramakant Naik House Number : 185/3 Age : 64 Gender : Female	NUP0092924 Photo Available	348 Name : Giri Naik Fathers Name: Krishna Naik House Number : 185/3 Age : 54 Gender : Male	NUP0092395 Photo Available
349 Name : Sangita Naik Husbands Name: Giri Naik House Number : 185/3 Age : 48 Gender : Female	BXG0007328 Photo Available	S2 350 Name : Sadhana Naik Fathers Name: Ramakant Naik House Number : 185/3 Age : 31 Gender : Female	NUP0287581 Photo Available	351 Name : Ashok Naik Fathers Name: Vishnu Naik House Number : 185/4 Age : 66 Gender : Male	NUP0093955 Photo Available
352 Name : Narayan Naik Fathers Name: Vishnu Naik House Number : 185/4 Age : 60 Gender : Male	LJN1502087 Photo Available	353 Name : Suvarna Naik Husbands Name: Narayan Naik House Number : 185/4 Age : 54 Gender : Female	LJN1502095 Photo Available	354 Name : Asvadeepa Naik Husbands Name: Ashok Naik House Number : 185/4 Age : 53 Gender : Female	NUP0381830 Photo Available
355 Name : Amardeep Naik Fathers Name: Ashok Naik House Number : 185/4 Age : 37 Gender : Male	LJN1498583 Photo Available	356 Name : Pooja Gaunker Fathers Name: Pundalik Gaunker House Number : 185/6 Age : 29 Gender : Female	NUP0312488 Photo Available	357 Name : Anand Naik Fathers Name: Raghu Naik House Number : 185/6 Age : 67 Gender : Male	NUP0381822 Photo Available
358 Name : Shashikala Naik Husbands Name: Anand Naik House Number : 185/6 Age : 66 Gender : Female	NUP0381814 Photo Available	359 Name : Amit Naik Fathers Name: Anand Naik House Number : 185/6 Age : 41 Gender : Male	LJN1280486 Photo Available	360 Name : Sarita Naik Husbands Name: Anil Naik House Number : 185/6 Age : 40 Gender : Female	LJN1503994 Photo Available



<p>361</p> <p>NUP0233114</p> <p>Name : Anil Naik Fathers Name: Anand Naik House Number : 185/6 Age : 40 Gender : Male</p> <p>Photo Available</p>	<p>362</p> <p>TVK0274332</p> <p>Name : Sneha Naik Husbands Name: Amit Naik House Number : 185/6 Age : 34 Gender : Female</p> <p>Photo Available</p>	<p># 363</p> <p>NUP0093682</p> <p>Name : Prakash Naik Fathers Name: Pandharinath Naik House Number : 185/A Age : 66 Gender : Male</p> <p>Photo Available</p>
<p># 364</p> <p>LJN1501782</p> <p>Name : Priya Naik Husbands Name: Prakash Naik House Number : 185/A Age : 61 Gender : Female</p> <p>Photo Available</p>	<p>365</p> <p>NUP0287664</p> <p>Name : Saili Naik Fathers Name: Prakash Naik House Number : 185/A Age : 31 Gender : Female</p> <p>Photo Available</p>	<p>366</p> <p>NUP0312355</p> <p>Name : Siddhi Naik Fathers Name: Prakash Naik House Number : 185/A Age : 27 Gender : Female</p> <p>Photo Available</p>
<p>367</p> <p>LJN1485895</p> <p>Name : Subhash Naik Fathers Name: Pandhari Naik House Number : 185/B Age : 64 Gender : Male</p> <p>Photo Available</p>	<p>368</p> <p>LJN1501956</p> <p>Name : Savita Naik Husbands Name: Subhash Naik House Number : 185/B Age : 57 Gender : Female</p> <p>Photo Available</p>	<p>S 369</p> <p>NUP0305284</p> <p>Name : Gayatri Naik Fathers Name: Subhash Naik House Number : 185/B Age : 28 Gender : Female</p> <p>Photo Available</p>
<p>370</p> <p>NUP0335075</p> <p>Name : Sakshi Naik Fathers Name: Subhash Naik House Number : 185/B Age : 24 Gender : Female</p> <p>Photo Available</p>	<p>371</p> <p>NUP0381723</p> <p>Name : Surendra Naik Fathers Name: Pandharinath Naik House Number : 185/C Age : 58 Gender : Male</p> <p>Photo Available</p>	<p>372</p> <p>LJN1280023</p> <p>Name : Rakhee Naik Husbands Name: Surendra Naik House Number : 185/C Age : 49 Gender : Female</p> <p>Photo Available</p>
<p>373</p> <p>NUP0338574</p> <p>Name : Sairaj Naik Fathers Name: Surendra Naik House Number : 185/C Age : 23 Gender : Male</p> <p>Photo Available</p>	<p>374</p> <p>LJN1488022</p> <p>Name : Mohini Naik Husbands Name: Dasharath Naik House Number : 186/2 Age : 54 Gender : Female</p> <p>Photo Available</p>	<p>375</p> <p>NUP0338095</p> <p>Name : Diksha Naik Fathers Name: Dasharath Naik House Number : 186/2 Age : 23 Gender : Female</p> <p>Photo Available</p>
<p>376</p> <p>NUP0400176</p> <p>Name : Ketan Naik Fathers Name: Dasharath Naik House Number : 186/2 Age : 21 Gender : Male</p> <p>Photo Available</p>	<p>377</p> <p>LJN1498468</p> <p>Name : Raymond Fernandes Fathers Name: Milagre Fernandes House Number : 187 Age : 64 Gender : Male</p> <p>Photo Available</p>	<p>378</p> <p>NUP0100651</p> <p>Name : Marry Paul Fernandes Fathers Name: Milagre Fernandes House Number : 187 Age : 58 Gender : Female</p> <p>Photo Available</p>
<p>379</p> <p>NUP0381715</p> <p>Name : Silvano Fernandes Fathers Name: Milagre Fernandes House Number : 187 Age : 56 Gender : Male</p> <p>Photo Available</p>	<p>380</p> <p>NUP0100685</p> <p>Name : Regina Fernandes Husbands Name: Silvano Fernandes House Number : 187 Age : 55 Gender : Female</p> <p>Photo Available</p>	<p>381</p> <p>LJN1498476</p> <p>Name : Dina Fernandes Husbands Name: Raymond Fernandes House Number : 187 Age : 54 Gender : Female</p> <p>Photo Available</p>
<p>382</p> <p>NUP0100669</p> <p>Name : Lourdina Rodrigues Husbands Name: Milagre Rodrigues House Number : 187 Age : 82 Gender : Female</p> <p>Photo Available</p>	<p>383</p> <p>NUP0099358</p> <p>Name : Demodar Pokle Fathers Name: Govind Pokle House Number : 187/A Age : 64 Gender : Male</p> <p>Photo Available</p>	<p>384</p> <p>NUP0092197</p> <p>Name : Vina Pokle Husbands Name: Damodar Pokle House Number : 187/A Age : 59 Gender : Female</p> <p>Photo Available</p>
<p>385</p> <p>NUP0091967</p> <p>Name : Vilin Pokle Fathers Name: Govind Pokle House Number : 187/A Age : 54 Gender : Male</p> <p>Photo Available</p>	<p>386</p> <p>NUP0100321</p> <p>Name : Varda Pokle Husbands Name: Vilind Pokle House Number : 187/A Age : 46 Gender : Female</p> <p>Photo Available</p>	<p>387</p> <p>LJN8318107</p> <p>Name : Shamsundar Pokle Fathers Name: Yesso Pokle House Number : 188/A Age : 50 Gender : Male</p> <p>Photo Available</p>
<p>388</p> <p>LJN1502590</p> <p>Name : Madavi Pokle Husbands Name: Shamsunder Pokle House Number : 188/A Age : 41 Gender : Female</p> <p>Photo Available</p>	<p>389</p> <p>NUP0223347</p> <p>Name : Shrimati Pokle Husbands Name: Anand Pokle House Number : 188/B Age : 66 Gender : Female</p> <p>Photo Available</p>	<p>390</p> <p>NUP0223123</p> <p>Name : Sanjay Pokle Fathers Name: Anand Pokle House Number : 188/B Age : 51 Gender : Male</p> <p>Photo Available</p>



<p>391</p> <p>Name : Harichandra Pokle Fathers Name: Anand Pokle House Number : 188/B Age : 48 Gender : Male</p> <p>Photo Available</p>	<p>NUP0223289</p>	<p>392</p> <p>Name : Sonali Pokle Husbands Name: Shivram Pokle House Number : 188/B Age : 46 Gender : Female</p> <p>Photo Available</p>	<p>NUP0255828</p>	<p>393</p> <p>Name : Shivram Pokle Fathers Name: Anand Pokle House Number : 188/B Age : 46 Gender : Male</p> <p>Photo Available</p>	<p>LJN1499763</p>
<p>394</p> <p>Name : Sushma Sanjay Pokle Husbands Name: Sanjay Pokle House Number : 188/B Age : 45 Gender : Female</p> <p>Photo Available</p>	<p>LJN1506740</p>	<p>395</p> <p>Name : Resha Pokle Husbands Name: Harichandra Pokle House Number : 188/B Age : 39 Gender : Female</p> <p>Photo Available</p>	<p>HFF1519008</p>	<p>396</p> <p>Name : Pradip Naik Fathers Name: Subramani Naik House Number : 188/C Age : 57 Gender : Male</p> <p>Photo Available</p>	<p>LJN1500206</p>
<p>397</p> <p>Name : Sandhya Naik Husbands Name: Pradip Naik House Number : 188/C Age : 51 Gender : Female</p> <p>Photo Available</p>	<p>NUP0100768</p>	<p>398</p> <p>Name : Kshama Naik Fathers Name: Pradip Naik House Number : 188/c Age : 21 Gender : Female</p> <p>Photo Available</p>	<p>NUP0397588</p>	<p>399</p> <p>Name : Naguesh Pokle Fathers Name: Vassu Pokle House Number : 189 Age : 58 Gender : Male</p> <p>Photo Available</p>	<p>NUP0099812</p>
<p>400</p> <p>Name : Nishita Pokle Husbands Name: Naguesh Pokle House Number : 189 Age : 54 Gender : Female</p> <p>Photo Available</p>	<p>NUP0099804</p>	<p>401</p> <p>Name : Babuli Pokle Fathers Name: Vassu Pokle House Number : 189 Age : 51 Gender : Male</p> <p>Photo Available</p>	<p>LJN1512888</p>	<p>402</p> <p>Name : Kasturi Pokle Husbands Name: Babuli Pokle House Number : 189 Age : 46 Gender : Female</p> <p>Photo Available</p>	<p>LJN1512870</p>
<p>403</p> <p>Name : Sanmesh Pokle Fathers Name: Nagesh Pokle House Number : 189 Age : 25 Gender : Male</p> <p>Photo Available</p>	<p>NUP0324806</p>	<p>404</p> <p>Name : Bindhya Pokle Fathers Name: Babuli Pokle House Number : 189 Age : 23 Gender : Female</p> <p>Photo Available</p>	<p>NUP0338004</p>	<p>405</p> <p>Name : Shreyash Pokle Fathers Name: Nagesh Pokle House Number : 189 Age : 19 Gender : Male</p> <p>Photo Available</p>	<p>NUP0411389</p>
<p>406</p> <p>Name : Gourak Pokle Fathers Name: Damodar Pokle House Number : 189/a Age : 22 Gender : Male</p> <p>Photo Available</p>	<p>NUP0393231</p>	<p>407</p> <p>Name : Vibha Bakhale Husbands Name: Vasudev Bakhale House Number : 193 Age : 62 Gender : Female</p> <p>Photo Available</p>	<p>NUP0381459</p>	<p>408</p> <p>Name : Manoj Joshi Fathers Name: Ashok Joshi House Number : 193 Age : 55 Gender : Male</p> <p>Photo Available</p>	<p>LJN1506633</p>
<p>409</p> <p>Name : Shweta Joshi Husbands Name: Manoj Joshi House Number : 193 Age : 51 Gender : Female</p> <p>Photo Available</p>	<p>LJN1506625</p>	<p>410</p> <p>Name : Amit Karvande Fathers Name: Pranay Karvande House Number : 193 Age : 28 Gender : Male</p> <p>Photo Available</p>	<p>NUP0307983</p>	<p>411</p> <p>Name : Rutuja Joshi Fathers Name: Manoj Joshi House Number : 193. Age : 22 Gender : Female</p> <p>Photo Available</p>	<p>NUP0396028</p>
<p>412</p> <p>Name : Anusuya Naik Pokle Husbands Name: Dattaram Naik Pokle House Number : 194/A Age : 84 Gender : Female</p> <p>Photo Available</p>	<p>LJN1504745</p>	<p>413</p> <p>Name : Nandkumar Naik Pokle Fathers Name: Dattaram Naik Pokle House Number : 194/A Age : 65 Gender : Male</p> <p>Photo Available</p>	<p>NUP0381442</p>	<p>414</p> <p>Name : Nayan Naik Pokle Husbands Name: Nandakumar Naik Pokle House Number : 194/A Age : 54 Gender : Female</p> <p>Photo Available</p>	<p>LJN1504778</p>
<p>415</p> <p>Name : Satyavan Naik Pokle Fathers Name: Dattaram Naik Pokle House Number : 194/A Age : 55 Gender : Male</p> <p>Photo Available</p>	<p>NUP0381384</p>	<p>416</p> <p>Name : Sanaya Naik Pokle Husbands Name: Satyavan Naik Pokle House Number : 194/A Age : 47 Gender : Female</p> <p>Photo Available</p>	<p>LJN1504786</p>	<p>417</p> <p>Name : Rajendra Pokle Fathers Name: Dattaram Pokle House Number : 194/A Age : 57 Gender : Male</p> <p>Photo Available</p>	<p>LJN1510932</p>
<p>418</p> <p>Name : Ranjana Pokle Husbands Name: Rajendra Pokle House Number : 194/A Age : 46 Gender : Female</p> <p>Photo Available</p>	<p>LJN1504794</p>	<p>419</p> <p>Name : Raunak Pokle Fathers Name: Rajendra Pokle House Number : 194/A Age : 21 Gender : Male</p> <p>Photo Available</p>	<p>NUP0396648</p>	<p>420</p> <p>Name : Rajnish Parsekar Fathers Name: Pandurang Parsekar House Number : 425 Age : 33 Gender : Male</p> <p>Photo Available</p>	<p>NUP0255745</p>



<p>421</p> <p>NUP0294017</p> <p>Name : Gaurav Naik Fathers Name: Gokuldas Naik House Number : 435 Age : 33 Gender : Male</p> <p>Photo Available</p>	<p>422</p> <p>HFF4233698</p> <p>Name : Priya Naik Husbands Name: Jayandra Naik House Number : 445 Age : 45 Gender : Female</p> <p>Photo Available</p>	<p>423</p> <p>NUP0255760</p> <p>Name : Sandesh Naik Fathers Name: Tulshidas Naik House Number : 450-1 Age : 33 Gender : Male</p> <p>Photo Available</p>
<p>424</p> <p>NUP0255778</p> <p>Name : Flavia Stella Fernandes Fathers Name: Raymond Fernandes House Number : 467 Age : 36 Gender : Female</p> <p>Photo Available</p>	<p>425</p> <p>NUP0270611</p> <p>Name : Shreeya Bhakale Fathers Name: Santosh Bhakale House Number : 470 Age : 31 Gender : Female</p> <p>Photo Available</p>	<p>426</p> <p>NUP0110627</p> <p>Name : Anil Bakhale Fathers Name: Padmakar Bakhale House Number : 470/A Age : 70 Gender : Male</p> <p>Photo Available</p>
<p>427</p> <p>NUP0255836</p> <p>Name : Shaunak Bakhale Fathers Name: Anil Bakhale House Number : 470/A Age : 36 Gender : Male</p> <p>Photo Available</p>	<p>428</p> <p>NUP0255844</p> <p>Name : Tanvi Bakhle Fathers Name: Anil Bakhle House Number : 470/A Age : 32 Gender : Female</p> <p>Photo Available</p>	<p>429</p> <p>NUP0267047</p> <p>Name : Sarita Bakhale Husbands Name: Anil Bakhale House Number : 470/A Age : 60 Gender : Female</p> <p>Photo Available</p>



1- List of Additions 1 (27-10-2023 04-01-2024)

<p>430 1 NUP0414367</p> <p>Name : Saisha Ulhas Naik Pokle Fathers Name: Ulhas Pokle House Number : H.No. 182/1 Age : 18 Gender : Female</p> <p>Photo Available</p>	<p>431 1 NUP0415687</p> <p>Name : GAURANG NAIK Fathers Name: DAYA NAIK House Number : H.No. 169/1-A Age : 19 Gender : Male</p> <p>Photo Available</p>	<p>432 1 NUP0415695</p> <p>Name : SAISHA NAIK Fathers Name: SURENDRA NAIK House Number : H.No. 185/C Age : 19 Gender : Female</p> <p>Photo Available</p>
<p>433 1 NUP0415703</p> <p>Name : SANIKA NAIK Fathers Name: NARAYAN NAIK House Number : H.No. 185/4 Age : 19 Gender : Female</p> <p>Photo Available</p>	<p>434 1 NUP0416040</p> <p>Name : Vallabh Ratnadas Sawant Fathers Name: Ratnadas Sawant House Number : H.No. 165 Age : 18 Gender : Male</p> <p>Photo Available</p>	<p>435 1 NUP0416362</p> <p>Name : Saniya Sanjay Sawant Fathers Name: Sanjay Sawant House Number : H.No. 164 Age : 18 Gender : Female</p> <p>Photo Available</p>
<p>436 1 NUP0416388</p> <p>Name : Sanika Sanjay Sawant Fathers Name: Sanjay Sawant House Number : H.No. 164 Age : 18 Gender : Female</p> <p>Photo Available</p>	<p>437 1 NUP0416925</p> <p>Name : SAINATH NAIK Fathers Name: SUBHASH NAIK House Number : H.No. 185/2 Age : 18 Gender : Male</p> <p>Photo Available</p>	<p>438 1 NUP0416990</p> <p>Name : GAJANAN POKLE Fathers Name: UDAY POKLE House Number : H.No.182/3 Age : 18 Gender : Male</p> <p>Photo Available</p>



1- List of Additions 2 (02-01-2024 19-04-2024)

439	1	NUP0418814
Name : ABHAY NAIK Fathers Name: KISHORE NAIK House Number : H. No. EHN 36 Ground Floor Age : 20 Gender : Male		Photo Available

440	1	NUP0419184
Name : Riya Rajendra Pokle Fathers Name: Rajendra Pokle House Number : H. No. 194/B Age : 18 Gender : Female		Photo Available

441	1	NUP0419192
Name : SAICHYA NAIK Mothers Name: SHANTA NAIK House Number : H. No. 168 Age : 19 Gender : Female		Photo Available

442	1	NUP0419200
Name : Snehal Dinesh Naik Fathers Name: Dinesh Naik House Number : H. No. 158 Age : 18 Gender : Female		Photo Available

SUMMARY OF ELECTORS**A) NUMBER OF ELECTORS**

		Roll Type	Roll Identification	NUMBER OF ELECTORS			
				Male	Female	Third Gender	Total
I	Mother Roll	Mother Roll	Final Roll of Special Summary Revision 2024 published on 05-01-2024 integrated with Additions, Deletions and Modifications carried out during Continuous Updation 2024 upto 19-04-2024.	206	223	0	429
II	1- List of Additions	Supplement 1	Special Summary Revision 2024	4	5	0	9
		Supplement 2	Continuous Updation (Quarter 2) 2024	1	3	0	4
			Total	5	8	0	13
III	2- List of Deletions	Supplement 1	Special Summary Revision 2024	8	8	0	16
		Supplement 2	Continuous Updation (Quarter 2) 2024	1	1	0	2
			Total	9	9	0	18
IV	Difference due to modification in Gender field			0	0	0	0
Net Elector in this Roll after this Revision (I+II-III+IV)				202	222	0	424

B) NUMBER OF MODIFICATIONS

Roll Type	Roll Identification	NUMBER OF MODIFICATIONS
Supplement 1	Special Summary Revision 2024	7
Supplement 2	Continuous Updation (Quarter 2)	1



	2024		
	Total	8	

Signature of Electoral Registration Officer

E-Expired S-Shifted/Change of Residence R-Duplicate M-Missing Q-Disqualified