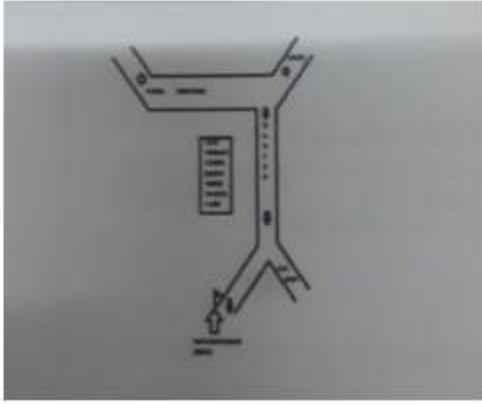


ELECTORAL ROLL 2025 S05 Goa

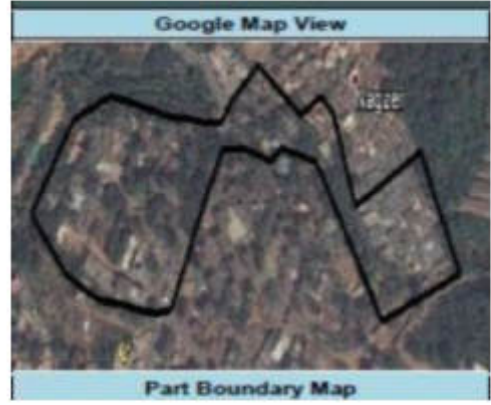
No. Name and Reservation Status of Assembly Constituency : 21 - PONDA (GEN)				Part No. : 20															
No. Name and Reservation Status of Parliamentary Constituency(ies) in which the Assembly Constituency is located : 2 - SOUTH GOA (GEN)																			
1. Details of Revision																			
Year of Revision	2025	Roll Identification																	
Qualifying Date	01-01-2025	Basic Roll of Special Summary Revision 2025 published on 29-10-2024 integrated with Additions, Deletions and Modifications carried out during Special Summary Revision 2025.																	
Type of revision	Special Summary Revision 2025																		
Date of Updation	06-01-2025																		
2. Details of part and polling area																			
No. and name of sections in the part																			
1-Nagzar Cott, Curti 2-Nagzar, Curti		<table style="width: 100%; border-collapse: collapse;"> <tr> <td style="width: 60%; padding: 2px;">Main Town or Village</td> <td style="padding: 2px;">: CURTI</td> </tr> <tr> <td style="padding: 2px;">Post Office</td> <td style="padding: 2px;">: CURTI KHANDEPAR</td> </tr> <tr> <td style="padding: 2px;">Police Station</td> <td style="padding: 2px;">: PONDA</td> </tr> <tr> <td style="padding: 2px;">Block</td> <td style="padding: 2px;">: PONDA</td> </tr> <tr> <td style="padding: 2px;">Subdivision</td> <td style="padding: 2px;">: PONDA</td> </tr> <tr> <td style="padding: 2px;">District</td> <td style="padding: 2px;">: SOUTH GOA</td> </tr> <tr> <td style="padding: 2px;">Pin code</td> <td style="padding: 2px;">: 403406</td> </tr> </table>				Main Town or Village	: CURTI	Post Office	: CURTI KHANDEPAR	Police Station	: PONDA	Block	: PONDA	Subdivision	: PONDA	District	: SOUTH GOA	Pin code	: 403406
Main Town or Village	: CURTI																		
Post Office	: CURTI KHANDEPAR																		
Police Station	: PONDA																		
Block	: PONDA																		
Subdivision	: PONDA																		
District	: SOUTH GOA																		
Pin code	: 403406																		
3. Polling station details																			
No. and Name of Polling Station :		Type of Polling Station (Male/Female/General)		General															
20 - Government Primary School(Middle Wing), Nagzar Curti, Ponda Goa		Number of Auxiliary Polling Stations in this part :		0															
Address of Polling Station :																			
Government Primary school, Nagzar Curti Ponda Goa																			
4. NUMBER OF ELECTORS																			
Starting	Ending	Net Electors																	
Serial No.	Serial No.	Male	Female	Third Gender	Total														
1	721	339	312	0	651														

Signature of Electoral Registration Officer

Nazri Naksha



Google Map View



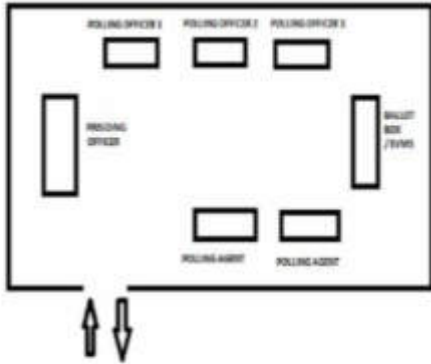
Polling Station Building Front View



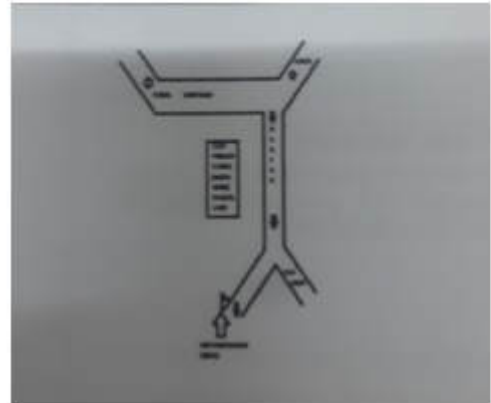
Polling Station Front View



Cad View



Key MAP View



<p>1</p> <p>MX Y1348127</p> <p>Name : Asudulla Mulla Fathers Name: Suleman Mulla House Number : 1 Age : 85 Gender : Male</p> <p>Photo</p> <p>Available</p>	<p>2</p> <p>ZOV0198606</p> <p>Name : Alla Bakash Khan Fathers Name: Mohammad Khan House Number : 01 Age : 72 Gender : Male</p> <p>Photo</p> <p>Available</p>	<p>3</p> <p>ZOV0285288</p> <p>Name : Mariambi Muzavar Husbands Name: Asudulla Muzavar House Number : 1 Age : 70 Gender : Female</p> <p>Photo</p> <p>Available</p>
<p>4</p> <p>ZOV0343418</p> <p>Name : Salima Khan Husbands Name: Alabakash Khan House Number : 1 Age : 62 Gender : Female</p> <p>Photo</p> <p>Available</p>	<p>5</p> <p>ZOV0254631</p> <p>Name : Suleman Mulla Fathers Name: Asudulla Mulla House Number : 1 Age : 54 Gender : Male</p> <p>Photo</p> <p>Available</p>	<p>6</p> <p>ZOV0202754</p> <p>Name : Mehtabbi Mulla Husbands Name: Suleman Mulla House Number : 1 Age : 49 Gender : Female</p> <p>Photo</p> <p>Available</p>
<p>7</p> <p>MX Y1379551</p> <p>Name : Sharfudin Mulla Fathers Name: Asudulla Mulla House Number : 1 Age : 40 Gender : Male</p> <p>Photo</p> <p>Available</p>	<p>8</p> <p>ZOV0356980</p> <p>Name : Atiya Mulla Husbands Name: Sharfudin Mulla House Number : 1 Age : 30 Gender : Female</p> <p>Photo</p> <p>Available</p>	<p>9</p> <p>ZOV0199315</p> <p>Name : Mohamad Azim Korwale Fathers Name: Motalib Korwale House Number : 02 Age : 48 Gender : Male</p> <p>Photo</p> <p>Available</p>
<p>10</p> <p>MX Y1364777</p> <p>Name : Mohamed Shabir Korwale Fathers Name: Abdul Motalib Korwale House Number : 2 Age : 43 Gender : Male</p> <p>Photo</p> <p>Available</p>	<p>11</p> <p>ZOV0237792</p> <p>Name : Afreen Rafique Lal Momin Husbands Name: Rafique Lal Momin House Number : 02 Age : 35 Gender : Female</p> <p>Photo</p> <p>Available</p>	<p>12</p> <p>ZOV0381558</p> <p>Name : AFREEN SABIR KORWALE Husbands Name: MOHAMAD SHABIR KORWALE House Number : 02 Age : 34 Gender : Female</p> <p>Photo</p> <p>Available</p>
<p>13</p> <p>ZOV0334599</p> <p>Name : Mudassar Korwale Fathers Name: Shaikh Ahamad Korwale House Number : 02 Age : 29 Gender : Male</p> <p>Photo</p> <p>Available</p>	<p>14</p> <p>ZOV0381566</p> <p>Name : RESHMA KORWALE Husbands Name: MUZAFFAR KORWALE House Number : 02 Age : 29 Gender : Female</p> <p>Photo</p> <p>Available</p>	<p>15</p> <p>ZOV0381160</p> <p>Name : SADIYA KORWALE Fathers Name: SALIM KORWALE House Number : 02 Age : 24 Gender : Female</p> <p>Photo</p> <p>Available</p>
<p>16</p> <p>MX Y1352400</p> <p>Name : Saliem Mulla Fathers Name: Hussein Mulla House Number : 2-a Age : 76 Gender : Male</p> <p>Photo</p> <p>Available</p>	<p>17</p> <p>ZOV0202333</p> <p>Name : Munarabi Mulla Husbands Name: Saliem Mulla House Number : 2-a Age : 66 Gender : Female</p> <p>Photo</p> <p>Available</p>	<p>18</p> <p>MX Y1347962</p> <p>Name : Zeeshan Mulla Fathers Name: Saliem Mulla House Number : 2-a Age : 42 Gender : Male</p> <p>Photo</p> <p>Available</p>
<p>19</p> <p>ZOV0343400</p> <p>Name : Karishma Hubli Fathers Name: Shabbirahamad Hubli House Number : 2-A Age : 27 Gender : Female</p> <p>Photo</p> <p>Available</p>	<p>20</p> <p>ZOV0431494</p> <p>Name : Fauziya Hadarggi Fathers Name: Hajaresab Hadarggi House Number : 2B Age : 24 Gender : Female</p> <p>Photo</p> <p>Available</p>	<p>21</p> <p>ZOV0197145</p> <p>Name : Kashim Shaikh Fathers Name: Abdul Shaikh House Number : 2-b Age : 80 Gender : Male</p> <p>Photo</p> <p>Available</p>
<p>22</p> <p>ZOV0202325</p> <p>Name : Aisha Shaikh Husbands Name: Kashim Shaikh House Number : 2-b Age : 79 Gender : Female</p> <p>Photo</p> <p>Available</p>	<p>23</p> <p>ZOV0376772</p> <p>Name : Samiulla Fathers Name: Mohmmad Yusuf House Number : 2/B Age : 38 Gender : Male</p> <p>Photo</p> <p>Available</p>	<p>24</p> <p>ZOV0321851</p> <p>Name : Shikandar Hadgeri Fathers Name: Hajaresab Hadgeri House Number : 2-B Age : 35 Gender : Male</p> <p>Photo</p> <p>Available</p>
<p>25</p> <p>ZOV0331850</p> <p>Name : Mahammad Jaffer Kerodi Fathers Name: Abdul Munaf Kerodi House Number : 2/B Age : 28 Gender : Male</p> <p>Photo</p> <p>Available</p>	<p>26</p> <p>ZOV0363036</p> <p>Name : Rizwan Ansari Fathers Name: Mohammad Ansari House Number : 2/B Age : 26 Gender : Male</p> <p>Photo</p> <p>Available</p>	<p>27</p> <p>ZOV0352039</p> <p>Name : Taslima Banu Shaik Fathers Name: Abdul Munaf Shaik House Number : 2/B Age : 26 Gender : Female</p> <p>Photo</p> <p>Available</p>
<p>28</p> <p>ZOV0422550</p> <p>Name : Badibi Sayed Fathers Name: Ahmadsab Sayed House Number : 2/B Age : 23 Gender : Female</p> <p>Photo</p> <p>Available</p>	<p>29</p> <p>MX Y1352418</p> <p>Name : Nafraz Abdul Shaikh Fathers Name: Kassim Shaikh House Number : 3 Age : 51 Gender : Male</p> <p>Photo</p> <p>Available</p>	<p>30</p> <p>MX Y0260919</p> <p>Name : Dadapir Kazri Fathers Name: Rajasab Kazri House Number : 3 Age : 50 Gender : Male</p> <p>Photo</p> <p>Available</p>

31 Name : Noor Ahmad Fathers Name: Ismail Ahmad House Number : 3 Age : 46 Gender : Male	MXY1351147 Photo Available	32 Name : Yasmin Bi Shaikh Husbands Name: Nafraz Shaikh House Number : 3 Age : 44 Gender : Female	HNY0596080 Photo Available	33 Name : Afreen Kazri Husbands Name: Dadapir Kazri House Number : 3 Age : 44 Gender : Female	ZOV0203976 Photo Available
# 34 Name : Naseerahmed Chikkerur Fathers Name: Nazir Sab Chikkerur House Number : 3 Age : 35 Gender : Male	ZOV0290411 Photo Available	35 Name : Toufiq Khan Fathers Name: Samiulla Khan House Number : 03 Age : 22 Gender : Male	ZOV0438515 Photo Available	36 Name : Jaibun Korwale Husbands Name: Abdul Matalib Korwale House Number : 3/A Age : 70 Gender : Female	ZOV0199216 Photo Available
37 Name : Shaikhahmed Korwale Fathers Name: Abdul Matalib Shaikh House Number : 3/a Age : 63 Gender : Male	ZOV0201319 Photo Available	38 Name : Salim Korwale Fathers Name: Abdul Matalib Korwale House Number : 3/A Age : 54 Gender : Male	ZOV0198903 Photo Available	39 Name : Shahnaz Korwale Husbands Name: Salim Korwale House Number : 3/a Age : 48 Gender : Female	MXY1364074 Photo Available
40 Name : Muzaffar Korwale Fathers Name: Matalib Korwale House Number : 3/a Age : 42 Gender : Male	MXY1349992 Photo Available	41 Name : Tasneem A Korwale Husbands Name: Azim Korwale House Number : 3/A Age : 38 Gender : Female	ZOV0199307 Photo Available	42 Name : Shabnam Korwale Fathers Name: Salim Korwale House Number : 3/A Age : 26 Gender : Female	ZOV0354431 Photo Available
S 43 Name : Nijamuddin Rautar Fathers Name: Abdul Jabbar Rautar House Number : 3/a Age : 63 Gender : Male	MXY1366889 Photo Available	S 44 Name : Fairza Begam Husbands Name: Nijamuddin Rautar House Number : 3/a Age : 54 Gender : Female	MXY1378256 Photo Available	45 Name : Rishma Chikeri Fathers Name: Noor Ahmad Chikeri House Number : 3/d Age : 40 Gender : Female	MXY1372226 Photo Available
46 Name : Faiyaz Ahmad Chikeri Fathers Name: Noor Ahmad Chikeri House Number : 3/d Age : 38 Gender : Male	MXY1351535 Photo Available	47 Name : Samiulla Mutkappa Fathers Name: Zabi Ulla Mutkappa House Number : 3/G Age : 30 Gender : Male	ZOV0335539 Photo Available	48 Name : Amanulla Khan Fathers Name: Akabar Khan House Number : 3/l Age : 50 Gender : Male	MXY9157199 Photo Available
49 Name : Gulshan Khan Husbands Name: Amanulla Khan House Number : 3/l Age : 40 Gender : Female	MXY1325497 Photo Available	50 Name : Khatija Bi Shaikh Husbands Name: Mohamad Shaikh House Number : 3/l Age : 70 Gender : Female	ZOV0216812 Photo Available	51 Name : Shabina Shaikh Fathers Name: Mohmud Shaikh House Number : 3/l Age : 39 Gender : Female	MXY1324359 Photo Available
52 Name : Rashida Muzawar Husbands Name: Husein Muzawar House Number : 4 Age : 54 Gender : Female	ZOV0204826 Photo Available	53 Name : Ramchandra Alapagol Fathers Name: Maruti Alapagol House Number : 04 Age : 51 Gender : Male	HFF1509413 Photo Available	54 Name : Aparna Alapagol Husbands Name: Ramchandra Alapagol House Number : 4 Age : 44 Gender : Female	HFF1509397 Photo Available
55 Name : Arshad Muzawar Fathers Name: Yunus Muzawar House Number : 4 Age : 40 Gender : Male	MXY1371749 Photo Available	56 Name : Kulsum Be Mulla Fathers Name: Mulla Hussain Muzawar House Number : 4 Age : 36 Gender : Female	ZOV0360495 Photo Available	57 Name : Aqeeb Mulla Fathers Name: Hussein Muzawar House Number : 4 Age : 31 Gender : Male	ZOV0356394 Photo Available
S 58 Name : Gulamikkhan Baibai Fathers Name: Alakhan Pathan House Number : 4 Age : 28 Gender : Male	ZOV0337220 Photo Available	59 Name : Farhanabanu Kalankal Fathers Name: Najarulla Kalankal House Number : 04 Age : 28 Gender : Male	ZOV0367805 Photo Available	60 Name : Saddam Kalankal Fathers Name: Najarulla Kalankal House Number : 04 Age : 26 Gender : Male	ZOV0367847 Photo Available

<p>61</p> <p>ZOV0424697</p> <p>Name : Rohini Ramchandra Alapagol Fathers Name: Ramchandra Alapagol House Number : 4 Age : 25 Gender : Female</p> <p>Photo</p> <p>Available</p>	<p>62</p> <p>ZOV0424705</p> <p>Name : Rahul Alappol Fathers Name: Ramchandra Alapagol House Number : 4 Age : 23 Gender : Male</p> <p>Photo</p> <p>Available</p>	<p>63</p> <p>ZOV0315002</p> <p>Name : Abbas Ansari Fathers Name: Badrudin Ansari House Number : 5 Age : 60 Gender : Male</p> <p>Photo</p> <p>Available</p>
<p>64</p> <p>MXY1349521</p> <p>Name : Farida Bi Sayyed Husbands Name: Ahmed Sayyed House Number : 5 Age : 59 Gender : Female</p> <p>Photo</p> <p>Available</p>	<p>S 65</p> <p>MXY1378504</p> <p>Name : Israfil Ansari Fathers Name: Badrudin Ansari House Number : 5 Age : 42 Gender : Male</p> <p>Photo</p> <p>Available</p>	<p>66</p> <p>ZOV0352021</p> <p>Name : Salim Sayyed Fathers Name: Ahmed Sayyed House Number : 5 Age : 27 Gender : Male</p> <p>Photo</p> <p>Available</p>
<p>S 67</p> <p>ZOV0321828</p> <p>Name : Tawaship Karnachi Fathers Name: Imamsab Karnachi House Number : 5/A Age : 30 Gender : Male</p> <p>Photo</p> <p>Available</p>	<p>68</p> <p>ZOV0366369</p> <p>Name : Siraj Maniyar Fathers Name: Rajak Maniyar House Number : 5-B Age : 50 Gender : Male</p> <p>Photo</p> <p>Available</p>	<p>S 69</p> <p>MXY1379577</p> <p>Name : Vijay Patel Fathers Name: Awadhilal Patel House Number : 15/B Age : 40 Gender : Male</p> <p>Photo</p> <p>Available</p>
<p>70</p> <p>ZOV0363002</p> <p>Name : Kauser Bellary Fathers Name: Ismailsab Bellary House Number : 5-B Age : 35 Gender : Female</p> <p>Photo</p> <p>Available</p>	<p>S 71</p> <p>MXY1357524</p> <p>Name : Mujhidhussain Bankapur Fathers Name: Munnir Ahmad Bankapur House Number : 7 Age : 42 Gender : Male</p> <p>Photo</p> <p>Available</p>	<p>S 72</p> <p>ZOV0314963</p> <p>Name : Gaus Abdul Fathers Name: Ali Mahamad House Number : 18 Age : 46 Gender : Male</p> <p>Photo</p> <p>Available</p>
<p>S 73</p> <p>ZOV0284299</p> <p>Name : Arifa Farash Husbands Name: Abdul Gaus House Number : 8 Age : 40 Gender : Female</p> <p>Photo</p> <p>Available</p>	<p>74</p> <p>ZOV0374918</p> <p>Name : Farida Hangi Husbands Name: Ismail Jabiulla Hangi House Number : 8 Age : 39 Gender : Female</p> <p>Photo</p> <p>Available</p>	<p>75</p> <p>ZOV0303388</p> <p>Name : Sajjadali Rajjabeli Fathers Name: Mahamad Hussain Rajjabeli House Number : 8-3 Age : 31 Gender : Male</p> <p>Photo</p> <p>Available</p>
<p>76</p> <p>ZOV0431213</p> <p>Name : NEHA SINGH Husbands Name: BAJRANGI KUMAR SINGH House Number : 8/3 Age : 28 Gender : Female</p> <p>Photo</p> <p>Available</p>	<p>77</p> <p>ZOV0431437</p> <p>Name : Sayyadali M H Razzebali Fathers Name: Mohammad Hussain Razzebali House Number : 8/3 Age : 26 Gender : Male</p> <p>Photo</p> <p>Available</p>	<p>78</p> <p>ZOV0431478</p> <p>Name : Hussainsab Mullanavar Fathers Name: Imamsab Mullanavar House Number : 8/4 Age : 22 Gender : Male</p> <p>Photo</p> <p>Available</p>
<p>79</p> <p>MXY1351634</p> <p>Name : Basarat Mohamad Fathers Name: Islam Mohamad House Number : 8/a Age : 45 Gender : Male</p> <p>Photo</p> <p>Available</p>	<p>80</p> <p>MXY1349059</p> <p>Name : Saira Banu Husbands Name: Basarat Banu House Number : 8/a Age : 42 Gender : Female</p> <p>Photo</p> <p>Available</p>	<p>81</p> <p>MXY1372382</p> <p>Name : Ahmed Tahshin Fathers Name: Ali Hasan Tahshin House Number : 8/b Age : 41 Gender : Male</p> <p>Photo</p> <p>Available</p>
<p>82</p> <p>ZOV0252593</p> <p>Name : Abdul Wahab Fathers Name: Amir Jan Wahab House Number : 8/C Age : 60 Gender : Male</p> <p>Photo</p> <p>Available</p>	<p>83</p> <p>ZOV0252601</p> <p>Name : Shaheen Banu Husbands Name: Abdul Wahab Banu House Number : 8/C Age : 46 Gender : Female</p> <p>Photo</p> <p>Available</p>	<p>84</p> <p>MXY9152596</p> <p>Name : Mehaboob Bi Husbands Name: Ismail Bi House Number : 8/D Age : 88 Gender : Female</p> <p>Photo</p> <p>Available</p>
<p>85</p> <p>ZOV0317883</p> <p>Name : Abdul Razzak Bagewadi Fathers Name: Hussein Bagewadi House Number : 8/D 17 Age : 34 Gender : Male</p> <p>Photo</p> <p>Available</p>	<p>86</p> <p>ZOV0216820</p> <p>Name : Bhagirathi Pujari Husbands Name: Raju Pujari House Number : 8/e Age : 40 Gender : Female</p> <p>Photo</p> <p>Available</p>	<p>87</p> <p>ZOV0274092</p> <p>Name : Mohab Kapati Fathers Name: Babulsab Kapati House Number : 8/F Age : 43 Gender : Male</p> <p>Photo</p> <p>Available</p>
<p>88</p> <p>ZOV0368068</p> <p>Name : Salma Kapati Husbands Name: Mohib Kapati House Number : 8/F Age : 37 Gender : Female</p> <p>Photo</p> <p>Available</p>	<p>89</p> <p>ZOV0249953</p> <p>Name : Shamiulla Khan Fathers Name: Akbar Khan House Number : 8/G Age : 46 Gender : Male</p> <p>Photo</p> <p>Available</p>	<p>90</p> <p>ZOV0356949</p> <p>Name : Pliyana Khan Husbands Name: Shamiulla Khan House Number : 8/G Age : 46 Gender : Female</p> <p>Photo</p> <p>Available</p>

91 Name : Sultan Shaikh Fathers Name: Abdul Shaikh House Number : 9 Age : 24 Gender : Male	ZOV0422584 Photo Available	92 Name : Subhahan Shaikh Fathers Name: Abdul Shaikh House Number : 9 Age : 23 Gender : Male	ZOV0422592 Photo Available	93 Name : Malik Bichunavar Fathers Name: Liyakhtali Bichunavar House Number : 10 Age : 22 Gender : Male	ZOV0439380 Photo Available
94 Name : Reshma Shaikh Fathers Name: Khaja Mohidin Shaikh House Number : 10/A/2 Age : 35 Gender : Female	ZOV0382366 Photo Available	95 Name : Ashiya Bi Muzawar Shaikh Husbands Name: Noor Mohamad Shaikh House Number : 11 Age : 45 Gender : Female	ZOV0203315 Photo Available	96 Name : Nabeel Mohammad Shaikh Fathers Name: Noor Mohammad Shaikh House Number : 11 Age : 22 Gender : Male	ZOV0438705 Photo Available
97 Name : Hina Bepari Husbands Name: Altaf Bepari House Number : 11/4 Age : 32 Gender : Female	ZOV0300921 Photo Available	98 Name : Salim Shaikh Fathers Name: Mahaboobsab Shaikh House Number : 11/8 Age : 40 Gender : Male	ZOV0431395 Photo Available	99 Name : Shabina Dastagir Fathers Name: Dasthir Patel House Number : 11/15 Age : 30 Gender : Female	ZOV0326082 Photo Available
100 Name : Bibi Aaisha Patel Fathers Name: Dastagir Sab Patel House Number : 11/15 Age : 29 Gender : Female	ZOV0326090 Photo Available	101 Name : Nesreen Nadaf Husbands Name: Shabbir Nadaf House Number : 11/16 Age : 40 Gender : Female	NUP0329557 Photo Available	102 Name : Sulemaan Kittur Fathers Name: Babu Kittur House Number : 11/19 Age : 24 Gender : Male	ZOV0379925 Photo Available
103 Name : Shainaj Shikh Husbands Name: Dadapir Shikh House Number : 11/28 Age : 37 Gender : Female	ZOV0337733 Photo Available	104 Name : MADIHA MULLA Fathers Name: ZABIJULLA MULLA House Number : 11/33 Age : 22 Gender : Female	ZOV0431460 Photo Available	105 Name : Munaf Muzawar Mulla Fathers Name: Mohidin Mulla House Number : 12 Age : 60 Gender : Male	MXY0202481 Photo Available
106 Name : Safura Muzawar Mulla Husbands Name: Munaf Mulla House Number : 12 Age : 52 Gender : Female	MXY1353549 Photo Available	107 Name : Maktumbi Nadaf Husbands Name: Ramjan Nadaf House Number : 12 Age : 32 Gender : Female	ZOV0374769 Photo Available	108 Name : Meezba Bi Fathers Name: Mulla Munaf Muzawar House Number : 12 Age : 24 Gender : Female	ZOV0415521 Photo Available
109 Name : Farhat Bi Fathers Name: Munaf Mulla Muzawar House Number : 12 Age : 22 Gender : Female	ZOV0424879 Photo Available	110 Name : Mallesh Pujari Fathers Name: Irranna Pujari House Number : 12/4 Age : 28 Gender : Male	ZOV0373910 Photo Available	111 Name : Mehar Mohmedshafi Haisi Fathers Name: Mohmedshafi Haisi House Number : 12/10 Age : 20 Gender : Female	ZOV0443580 Photo Available
112 Name : Samir sheikh Fathers Name: Salim sheikh House Number : 12/26 Age : 26 Gender : Male	ZOV0438770 Photo Available	113 Name : Destagira Husensab Nadaf Fathers Name: Husensab Nadaf House Number : 12/32 Age : 21 Gender : Male	ZOV0443960 Photo Available	114 Name : Afreen Nadaf Husbands Name: Kutubuddin Nadaf House Number : 12/33 Age : 31 Gender : Female	ZOV0426593 Photo Available
115 Name : Jaytunbi Tasildar Fathers Name: Bashasab Tasildar House Number : 12/41 Age : 24 Gender : Female	ZOV0414706 Photo Available	116 Name : Manjunath More Fathers Name: Mahendra More House Number : 12/44 Age : 26 Gender : Male	ZOV0366898 Photo Available	117 Name : Ahamad Muzawar Mulla Fathers Name: Kasim Mulla House Number : 12/a Age : 72 Gender : Male	MXY1361971 Photo Available
118 Name : Zeenat Bi Mulla Husbands Name: Ahamad Mulla House Number : 12/A Age : 70 Gender : Female	MXY9306200 Photo Available	119 Name : Mulla Imran Muzawar Fathers Name: Mulla Ammed Muzawar House Number : 12/A Age : 46 Gender : Male	MXY1384817 Photo Available	120 Name : Javed Mulla Fathers Name: Ahamad Mulla House Number : 12/A Age : 43 Gender : Male	ZOV0284497 Photo Available

121 Name : Mulla Arif Muzawar Fathers Name: Mulla Ahamad Muzawar House Number : 12/A Age : 40 Gender : Male	MXY1379585	Photo Available	122 Name : Tabrez Mulla Fathers Name: Ahamad Mulla House Number : 12/a Age : 38 Gender : Male	MXY1361906	Photo Available	123 Name : Fatima Bi Muzawar Husbands Name: Razad Muzawar House Number : 12/B Age : 60 Gender : Female	MXY9306234	Photo Available
124 Name : Nasreen Mulla Fathers Name: Razad Mulla House Number : 12/b Age : 38 Gender : Female	MXY1352210	Photo Available	125 Name : Julekha Bi Shaikh Husbands Name: Abdul Kadar Shaikh House Number : 12/C Age : 78 Gender : Female	MXY9152497	Photo Available	126 Name : Abdul Munaf Kherodi Fathers Name: Babansab Kherodi House Number : 12/C Age : 58 Gender : Male	MXY9157108	Photo Available
127 Name : Parveen Bi Kherodi Husbands Name: Abdul Munaf Kherodi House Number : 12/C Age : 43 Gender : Female	MXY9157074	Photo Available	128 Name : Abdul Sattar Shaikh Fathers Name: Babansab Shaikh House Number : 12/d Age : 48 Gender : Male	MXY1355155	Photo Available	129 Name : Fayuma Shaikh Husbands Name: Abdul Sattar Shaikh House Number : 12/D Age : 42 Gender : Female	MXY1349836	Photo Available
130 Name : Shaffi Sayed Fathers Name: Mohammad Hanif Sayed House Number : 13/1 Age : 44 Gender : Male	ZOV0383026	Photo Available	S 131 Name : Sharif Mohamad Fathers Name: Mahamad Mohamad House Number : 13/1 Age : 43 Gender : Male	MXY1359736	Photo Available	132 Name : JAFAR HALGERI Fathers Name: Noor Ahmad House Number : 13/1 Age : 42 Gender : Male	MXY1351881	Photo Available
133 Name : Faridha Makandar Fathers Name: Husenasab Makandar House Number : 13/1 Age : 41 Gender : Female	ZOV0310938	Photo Available	# 134 Name : RIYAZ AHMAD GADAG Fathers Name: KHASIMSAB GADAG House Number : 13/1 Age : 38 Gender : Male	ZOV0321844	Photo Available	135 Name : Rabiya Banu Gadag Husbands Name: Riyaz Gadag House Number : 13/1 Age : 38 Gender : Female	ZOV0425439	Photo Available
136 Name : Javid Bepari Fathers Name: Shafi Bepari House Number : 13/1 Age : 23 Gender : Male	ZOV0424341	Photo Available	137 Name : Shabnam Bepari Fathers Name: Shafi Bepari House Number : 13/1 Age : 22 Gender : Female	ZOV0424358	Photo Available	138 Name : Mehaboob Bi Bepari Husbands Name: Gafursab Bepari House Number : 13/A Age : 55 Gender : Female	MXY1321793	Photo Available
S 139 Name : Zakir Hussain Fathers Name: Maktumsab Yedegeer House Number : 13/a Age : 42 Gender : Male	MXY1324029	Photo Available	140 Name : Imamjafar Bepari Fathers Name: Gapursab Bepari House Number : 13/A Age : 34 Gender : Male	ZOV0356956	Photo Available	141 Name : Javid Bepari Fathers Name: Gafursab Bepari House Number : 13/A Age : 32 Gender : Male	ZOV0300988	Photo Available
142 Name : Nusrat Anjum Bepari Husbands Name: Imam Jafar Bepari House Number : 13/A Age : 31 Gender : Female	ZOV0301002	Photo Available	143 Name : Shafi Bepari Fathers Name: Karimsab Mulla House Number : 13/c Age : 47 Gender : Male	MXY1349703	Photo Available	144 Name : Saira Bepari Husbands Name: Shafi Bepari House Number : 13/C Age : 45 Gender : Female	MXY1379668	Photo Available
145 Name : K.M. Mohammed Fathers Name: Mammunchi Moideen House Number : 13/D Age : 65 Gender : Male	ZOV0368332	Photo Available	S 146 Name : Moosa Kunhi Fathers Name: Amnathu Kunhi House Number : 13/D Age : 62 Gender : Male	ZOV0368324	Photo Available	147 Name : Ali Jamaldar Maula Fathers Name: Mohinodin Maula House Number : 13/d Age : 55 Gender : Male	MXY1324003	Photo Available
148 Name : Jamaladar Kayum Maula Fathers Name: Mohinodin Maula House Number : 13/d Age : 46 Gender : Male	MXY1324284	Photo Available	149 Name : Sharfuddin Jamadar Fathers Name: Mainuddin Jamadar House Number : 13/D Age : 41 Gender : Male	MXY1324250	Photo Available	150 Name : Hajarat Ali Bepari Fathers Name: Karimsab Bepari House Number : 13/e Age : 52 Gender : Male	MXY9157256	Photo Available

151 Name : Mohamad Shafi Inamdar Fathers Name: Kadar Karim Inamdar House Number : 13/f Age : 54 Gender : Male Photo Available	MXY1358506	152 Name : Noor Jahan Husbands Name: Mohamad Inamdar House Number : 13/f Age : 42 Gender : Female Photo Available	MXY1322080	S 153 Name : Basavraj Pujari Fathers Name: Pujari Pujari House Number : 13/c Age : 60 Gender : Male Photo Available	MXY1379635
S 154 Name : Laxmi Pujari Husbands Name: Basavraj Pujari House Number : 13/c Age : 55 Gender : Female Photo Available	MXY1379650	155 Name : Hanif Muzawar Mulla Fathers Name: Sharif Mulla House Number : 14 Age : 71 Gender : Male Photo Available	ZOV0254896	156 Name : Shabirabi Mulla Husbands Name: Hanif Mulla House Number : 14 Age : 70 Gender : Female Photo Available	MXY9306143
157 Name : Naziya Muzawar Husbands Name: Naim Muzawar House Number : 14 Age : 42 Gender : Female Photo Available	ZOV0319509	158 Name : Haison Mulla Fathers Name: Hanif Mulla House Number : 14 Age : 38 Gender : Male Photo Available	MXY1353275	# 159 Name : Munira Bi Saliya Khan Husbands Name: Aiyaz Muzawar House Number : 14 Age : 33 Gender : Female Photo Available	THU0235796
160 Name : Mhormmad Sahil Muzavor Fathers Name: Abubakar Muzavor House Number : 14 -A Age : 29 Gender : Male Photo Available	ZOV0319459	161 Name : SANIA MULAM ABU BACAR MUZAVOR Fathers Name: ABU BACAR MUZAVOR House Number : 14/A1 Age : 19 Gender : Female Photo Available	ZOV0445106	162 Name : Abubakar Mulla Fathers Name: Sharif Mulla House Number : 14/B Age : 72 Gender : Male Photo Available	ZOV0254862
163 Name : Parvez Begam Mulla Husbands Name: Abubkar Mulla House Number : 14/B Age : 62 Gender : Female Photo Available	MXY0202424	164 Name : Zainap Zeba Muzavar Fathers Name: Mulla Abubacar Muzavar House Number : 14/B Age : 28 Gender : Female Photo Available	ZOV0354829	165 Name : Mumtaz Bi Ali Muzawar Husbands Name: Ali Muzawar House Number : 14/c Age : 70 Gender : Female Photo Available	ZOV0202721
166 Name : Nadeem Ahamad Fathers Name: Abdul Ahamad House Number : 14/D Age : 50 Gender : Male Photo Available	ZOV0284372	167 Name : Mulla Nayeem Muzawar Fathers Name: Abdul Karim House Number : 14/D Age : 47 Gender : Male Photo Available	ZOV0064170	168 Name : Riaz Mulla Fathers Name: Abdul Karim House Number : 14/d Age : 45 Gender : Male Photo Available	ZOV0151696
169 Name : Aiyaz Karim Muzawar Fathers Name: Muzawar Abdul House Number : 14/D Age : 43 Gender : Male Photo Available	ZOV0284406	170 Name : Rafique Mohamad Mulla Fathers Name: Karim Mulla House Number : 16 Age : 60 Gender : Male Photo Available	ZOV0274134	171 Name : Guizar Banu Husbands Name: Mullam Mohamad Rafik Muzavor House Number : 16 Age : 50 Gender : Female Photo Available	MXY1364116
172 Name : Mulla Mohamad Adnan Mujawar Fathers Name: Mulla Mohamad Raffick Mujawar House Number : 16 Age : 23 Gender : Male Photo Available	ZOV0414888	173 Name : Sabir Hussan Fathers Name: Sadik Hussan House Number : 16/a Age : 65 Gender : Male Photo Available	MXY1371053	174 Name : Ahmad Bhure Fathers Name: Isalamoddin Bhure House Number : 16/a Age : 60 Gender : Male Photo Available	MXY1351477
175 Name : Ashraf Mohamad Fathers Name: Sadiq Mohamad House Number : 16/a Age : 60 Gender : Male Photo Available	MXY1349695	S 176 Name : Mumtaj Ahmad Fathers Name: Sadiq Ahmad House Number : 16/a Age : 58 Gender : Male Photo Available	MXY1362771	177 Name : Abdul Rehman Fathers Name: Kalim Ulla Rehman House Number : 16/A Age : 45 Gender : Male Photo Available	ZOV0254813
S 178 Name : Sadik Mohamad Fathers Name: Hussain Mohamad House Number : 16/a Age : 44 Gender : Male Photo Available	MXY1349240	179 Name : Shabnam Bi Husbands Name: Sadik Mohamad House Number : 16/a Age : 41 Gender : Female Photo Available	MXY1349034	S 180 Name : Jakir Mohamad Fathers Name: Ali Ahmad Mohamad House Number : 16/a Age : 41 Gender : Male Photo Available	MXY1381169

<p>181</p> <p>MXY1381201</p> <p>Name : Nafiz Mohamad Fathers Name: Bundhu Mohamad House Number : 16/a Age : 39 Gender : Male</p> <p>Photo Available</p>	<p>182</p> <p>MXY1381193</p> <p>Name : Abdul Wahid Fathers Name: Kalim Ulla Wahid House Number : 16/a Age : 38 Gender : Male</p> <p>Photo Available</p>	<p>S 183</p> <p>MXY1381185</p> <p>Name : Riyaz Ahmad Fathers Name: Ali Ahmad House Number : 16/a Age : 38 Gender : Male</p> <p>Photo Available</p>
<p>184</p> <p>MXY1381177</p> <p>Name : Faim Mohamad Fathers Name: Bundhu Mohamad House Number : 16/a Age : 38 Gender : Male</p> <p>Photo Available</p>	<p>185</p> <p>MXY1356401</p> <p>Name : Noor Ahmad Fathers Name: Gauseab Ahmad House Number : 16/c Age : 80 Gender : Male</p> <p>Photo Available</p>	<p>186</p> <p>MXY1378041</p> <p>Name : Mehbubsab Ahmad Fathers Name: Noor Ahmad House Number : 16/c Age : 55 Gender : Male</p> <p>Photo Available</p>
<p>187</p> <p>MXY1357540</p> <p>Name : Mulam Mamod Amirodin Muzavor Fathers Name: Mulam Abdul Cadir Muzavor House Number : 17 Age : 67 Gender : Male</p> <p>Photo Available</p>	<p>188</p> <p>MXY1357557</p> <p>Name : Noos Bi Husbands Name: Mulla Amiroddin Muzawar House Number : 17 Age : 58 Gender : Female</p> <p>Photo Available</p>	<p>189</p> <p>ZOV0377549</p> <p>Name : Sushma Paisankar Others : Prakash Paisankar House Number : 17 Age : 39 Gender : Female</p> <p>Photo Available</p>
<p>190</p> <p>ZOV0197384</p> <p>Name : Asma Dyavankatti Fathers Name: Mohammed Gouse Dyavankatti House Number : 17 Age : 39 Gender : Female</p> <p>Photo Available</p>	<p>191</p> <p>ZOV0348979</p> <p>Name : Rubiya Bi Mulla Muzawar Fathers Name: Mulam Mamod Amirodin Muzavor House Number : 17 Age : 30 Gender : Female</p> <p>Photo Available</p>	<p>192</p> <p>ZOV0342493</p> <p>Name : Nagraj Hujarati Fathers Name: Irappa Hujarati House Number : 17 Age : 27 Gender : Male</p> <p>Photo Available</p>
<p>193</p> <p>ZOV0352054</p> <p>Name : Mulla Abdul Kader Rehan Muzawar Fathers Name: Mulam Mamod Amirodin Muzavor House Number : 17 Age : 27 Gender : Male</p> <p>Photo Available</p>	<p>194</p> <p>MXY9305764</p> <p>Name : Noor Ahmad Shaikh Fathers Name: Abdul Shaikh House Number : 17/B Age : 59 Gender : Male</p> <p>Photo Available</p>	<p>195</p> <p>MXY9305749</p> <p>Name : Shamim Banu Shaikh Husbands Name: Noor Ahmad Shaikh House Number : 17/B Age : 58 Gender : Female</p> <p>Photo Available</p>
<p>196</p> <p>ZOV0249979</p> <p>Name : Mahabub Bi Shaikh Fathers Name: Abdul Kader House Number : 17/B Age : 46 Gender : Male</p> <p>Photo Available</p>	<p>197</p> <p>MXY1323062</p> <p>Name : Mohamad Jafar Savnur Shaikh Fathers Name: Abdul Kader House Number : 17/b Age : 44 Gender : Male</p> <p>Photo Available</p>	<p>198</p> <p>MXY0966895</p> <p>Name : Dadapir Shaikh Fathers Name: Khaja Mohidin Shaikh House Number : 17/C Age : 42 Gender : Male</p> <p>Photo Available</p>
<p>199</p> <p>MXY1322718</p> <p>Name : Gause Shaikh Fathers Name: Khaja Mohidin Shaikh House Number : 17/c Age : 40 Gender : Male</p> <p>Photo Available</p>	<p>200</p> <p>ZOV0431445</p> <p>Name : Sahiba Inamdar Mothers Name: Mahamad Shafi Inamdar House Number : 17 C Age : 22 Gender : Female</p> <p>Photo Available</p>	<p>201</p> <p>ZOV0062059</p> <p>Name : Mulam Mamod Nazir Muzawar Fathers Name: Mulam Xerfodin Muzawar House Number : 18 Age : 70 Gender : Male</p> <p>Photo Available</p>
<p>202</p> <p>ZOV0065656</p> <p>Name : Dattaraj Naik Fathers Name: Tukaram Naik House Number : 18 Age : 65 Gender : Male</p> <p>Photo Available</p>	<p>203</p> <p>ZOV0320408</p> <p>Name : Mulla Usman Muzawar Fathers Name: Mulla Nazir Muzawar House Number : 18 Age : 31 Gender : Male</p> <p>Photo Available</p>	<p>204</p> <p>ZOV0342477</p> <p>Name : Mulla Afrin Mujawar Fathers Name: Mulla M. Nazir Muzawar House Number : 18 Age : 27 Gender : Female</p> <p>Photo Available</p>
<p>S 205</p> <p>MXY1348424</p> <p>Name : Mohid Mohamad Fathers Name: Bashir Mohamad House Number : 18/1 Age : 46 Gender : Male</p> <p>Photo Available</p>	<p>S 206</p> <p>MXY1348408</p> <p>Name : Parveen Banu Husbands Name: Mohid Mohamad House Number : 18/1 Age : 42 Gender : Female</p> <p>Photo Available</p>	<p>207</p> <p>ZOV0372318</p> <p>Name : Shahnaz Idrishi Fathers Name: Mohid Mohamad Idrishi House Number : 18/1 Age : 25 Gender : Female</p> <p>Photo Available</p>
<p>208</p> <p>ZOV0379412</p> <p>Name : Mohammed Sohali Idrishi Fathers Name: Mohammed Mohid Idrishi House Number : 18/1 Age : 24 Gender : Male</p> <p>Photo Available</p>	<p>209</p> <p>ZOV0375394</p> <p>Name : Nizamuddin Fathers Name: Ibrahim Sab House Number : 18/A Age : 34 Gender : Male</p> <p>Photo Available</p>	<p>210</p> <p>ZOV0290387</p> <p>Name : Tabassum Nizamuddin Husbands Name: Nizamuddin House Number : 18/A Age : 32 Gender : Female</p> <p>Photo Available</p>

<p>211</p> <p>MX Y9305574</p> <p>Name : Lal Bi Mulla Husbands Name: Nazir Mulla House Number : 18/B Age : 60 Gender : Female</p> <p>Photo Available</p>	<p>212</p> <p>ZOV0335851</p> <p>Name : Khatal Mulla Fathers Name: Basha Mulla House Number : 19/A1 Age : 58 Gender : Male</p> <p>Photo Available</p>	<p>213</p> <p>ZOV0424713</p> <p>Name : Prashant Naik Fathers Name: Dattatray Naik House Number : 20/B Age : 25 Gender : Male</p> <p>Photo Available</p>
<p>S 214</p> <p>ROP0216424</p> <p>Name : Sameena Mulla Husbands Name: Mulla Man Muzawar House Number : 27 Age : 36 Gender : Female</p> <p>Photo Available</p>	<p>215</p> <p>ZOV0417998</p> <p>Name : Sheetal Guli Fathers Name: Basappa Guli House Number : 21/21 Age : 22 Gender : Female</p> <p>Photo Available</p>	<p>S 216</p> <p>MX Y1351576</p> <p>Name : Mahmud Shaikh Fathers Name: Riyasat Shaikh House Number : 21 Age : 50 Gender : Male</p> <p>Photo Available</p>
<p>S 217</p> <p>MX Y1375120</p> <p>Name : Zeenat Shaikh Husbands Name: Mohammad Rafic Shaikh House Number : 21 Age : 42 Gender : Female</p> <p>Photo Available</p>	<p>218</p> <p>MX Y1356476</p> <p>Name : Mahmud Sharif Lal Momin Fathers Name: Adamsab Lal Momin House Number : 22 Age : 47 Gender : Male</p> <p>Photo Available</p>	<p>219</p> <p>MX Y1354125</p> <p>Name : Rafique Lal Momin Fathers Name: Adamsab Lal Momin House Number : 22 Age : 42 Gender : Male</p> <p>Photo Available</p>
<p>220</p> <p>MX Y1355486</p> <p>Name : Shafiulla Maniyar Fathers Name: Abdulwahid Maniyar House Number : 22 Age : 34 Gender : Male</p> <p>Photo Available</p>	<p>221</p> <p>ZOV0361345</p> <p>Name : Rasul Bi Nadab Husbands Name: Lalasab Nadab House Number : 23 Age : 69 Gender : Female</p> <p>Photo Available</p>	<p>222</p> <p>ZOV0337204</p> <p>Name : Najia Shaikh Husbands Name: Abdulgani Shaikh House Number : 23 Age : 35 Gender : Female</p> <p>Photo Available</p>
<p>223</p> <p>ZOV0337212</p> <p>Name : FARZANA LALSA NADAB Fathers Name: Laisahab Shaikh House Number : 23 Age : 33 Gender : Female</p> <p>Photo Available</p>	<p>224</p> <p>ZOV0321836</p> <p>Name : Salim Shaikh Fathers Name: Laalsab Shaikh House Number : 23 Age : 31 Gender : Male</p> <p>Photo Available</p>	<p>225</p> <p>ZOV0431569</p> <p>Name : Sajid Ansari Fathers Name: Abbas Ansari House Number : 23/1 Age : 29 Gender : Male</p> <p>Photo Available</p>
<p>226</p> <p>ZOV0436238</p> <p>Name : RESHMA RITTI Husbands Name: RAJBAKSHI RITTI House Number : 24/14 Age : 45 Gender : Female</p> <p>Photo Available</p>	<p>227</p> <p>MX Y7761786</p> <p>Name : Abu Talib Mulla Muzawar Fathers Name: Kashim Mulla Muzawar House Number : 25 Age : 70 Gender : Male</p> <p>Photo Available</p>	<p>228</p> <p>MX Y7762404</p> <p>Name : Masura Bi Mulla Muzawar Husbands Name: Abu Talib Mulla Muzawar House Number : 25 Age : 61 Gender : Female</p> <p>Photo Available</p>
<p>229</p> <p>MX Y1376060</p> <p>Name : Alam Muzawar Mulla Fathers Name: Abu Talib Mulla House Number : 25 Age : 38 Gender : Male</p> <p>Photo Available</p>	<p>230</p> <p>ZOV0422543</p> <p>Name : Afra Mulla Fathers Name: Mulam Abu Taleb Muzawar House Number : 25 Age : 23 Gender : Female</p> <p>Photo Available</p>	<p>231</p> <p>ZOV0274159</p> <p>Name : Ajas Mulla Fathers Name: Ahmad Mulla House Number : 25/1 Age : 51 Gender : Male</p> <p>Photo Available</p>
<p>232</p> <p>MX Y1378843</p> <p>Name : Asma Mulla Husbands Name: Ajas Mulla House Number : 25/1 Age : 45 Gender : Female</p> <p>Photo Available</p>	<p>233</p> <p>MX Y1376268</p> <p>Name : Shiraj Ahmad Wahid Maniyar Fathers Name: Abdul Wahid Maniar House Number : 26 Age : 42 Gender : Male</p> <p>Photo Available</p>	<p>234</p> <p>ZOV0309070</p> <p>Name : Heens Mulla Muzawar Fathers Name: A.Gaifur Mulla Muzawar House Number : 26 Age : 33 Gender : Female</p> <p>Photo Available</p>
<p>235</p> <p>ZOV0320457</p> <p>Name : Rehan Mulla Muzawar Fathers Name: Gafur Mulla Muzawar House Number : 26 Age : 30 Gender : Male</p> <p>Photo Available</p>	<p>236</p> <p>ZOV0436832</p> <p>Name : RAJBAKSHE RITTI Fathers Name: RAJASAB RITTI House Number : 26/14 Age : 52 Gender : Male</p> <p>Photo Available</p>	<p>237</p> <p>ZOV0436816</p> <p>Name : AAISHA RETHI Fathers Name: RAJABAKSHI RETHI House Number : 26/14 Age : 26 Gender : Female</p> <p>Photo Available</p>
<p>238</p> <p>ZOV0436824</p> <p>Name : NAMIRA RAJBAKSHI RETI Fathers Name: RAJBAKSHI RETI House Number : 26/14 Age : 25 Gender : Female</p> <p>Photo Available</p>	<p>239</p> <p>ZOV0436808</p> <p>Name : SULEMAN RETTI Fathers Name: RAJABAKSHI RETTI House Number : 26/14 Age : 23 Gender : Male</p> <p>Photo Available</p>	<p>240</p> <p>MX Y1350990</p> <p>Name : Abdul Rehman Shiratti Fathers Name: Diwansab Sherahi House Number : 26/B Age : 55 Gender : Male</p> <p>Photo Available</p>

241	ZOV0359760	Name : Farazan Sherahi Husbands Name: Abdul Rehiman Sherahi House Number : 26/B Age : 48 Gender : Female	Photo Available	242	ZOV0367268	Name : Ruksarbanu Shiratti Fathers Name: Abdul Rehman Shiratti House Number : 26/B Age : 28 Gender : Female	Photo Available	243	MXY1378074	Name : Mohid Ansari Fathers Name: Mahmud Ansari House Number : 26/d Age : 48 Gender : Male	Photo Available
244	MXY1378124	Name : Shahid Ansari Fathers Name: Mahamad Ansari House Number : 26/d Age : 47 Gender : Male	Photo Available	245	MXY1374255	Name : Mohiddin Sayed Khaja Fathers Name: Gause Khaja House Number : 26/e Age : 45 Gender : Male	Photo Available	246	MXY1378512	Name : Gausiys Khaja Husbands Name: Mohiddin Khaja House Number : 26/e Age : 40 Gender : Female	Photo Available
247	ZOV0359810	Name : Nasreen Banu Shaikh Fathers Name: Noor Ahamad Shaikh House Number : 27 Age : 35 Gender : Female	Photo Available	248	ZOV0334540	Name : Malik Reyan Shaikh Fathers Name: Noor Ahamad A. Sheikh House Number : 27 Age : 30 Gender : Male	Photo Available	249	ZOV0363028	Name : Prakash Palsamkar Fathers Name: Sitaram Palsamkar House Number : 27(1) Age : 48 Gender : Male	Photo Available
250	ZOV0274126	Name : Zabi Ulla Mutkappa Fathers Name: Ibrahim Mutkappa House Number : 50 Age : 55 Gender : Male	Photo Available	251	ZOV0347138	Name : Shamshad Pankedar Husbands Name: Abdulkarim Pankedar House Number : 61/2/E Age : 52 Gender : Female	Photo Available	252	ZOV0376285	Name : Firdus Banu Farashi Husbands Name: Abdul Wahab Farashi House Number : 94 Age : 36 Gender : Female	Photo Available
253	ZOV0375113	Name : Abdul Wahab Farashi Fathers Name: Alavuddinsab Farashi House Number : 94 Age : 35 Gender : Male	Photo Available	254	ZOV0376780	Name : Seema Banu Hattimattur Husbands Name: Samiulla House Number : 216 Age : 29 Gender : Female	Photo Available	255	ZOV0300947	Name : Juber Thakur Fathers Name: Raju Thakur House Number : - Age : 31 Gender : Male	Photo Available
256	ZOV0431452	Name : Mulla Noor-Ud-Din Muzawar Fathers Name: Muliim Ali Riza Muzavor House Number : C-3 Age : 44 Gender : Male	Photo Available	257	ZOV0292854	Name : Ramakrishnan Fathers Name: Kunjappy Raman Acharry House Number : C-10-18 Age : 72 Gender : Male	Photo Available	258	ZOV0292847	Name : Leela Husbands Name: Kesaven K House Number : C-10-18(2) Age : 66 Gender : Female	Photo Available
259	ZOV0438804	Name : Shafiulla Zabiulla Mutkappa Fathers Name: Zabiulla Mutkappa House Number : E-194 Age : 22 Gender : Male	Photo Available	260	MXY1351030	Name : Daud Muzawar Mulla Fathers Name: Suleman Mulla House Number : F-1 Age : 75 Gender : Male	Photo Available	261	ZOV0284448	Name : Sayed Tafiq Fathers Name: Sattar Tafiq House Number : F-1 Age : 65 Gender : Male	Photo Available
# 262	ZOV0284356	Name : Khatiza Bi Mulla Husbands Name: Daud Bi Mulla House Number : F-1 Age : 65 Gender : Female	Photo Available	263	MXY6825954	Name : Kulsumbi Tafiq Husbands Name: Sayed Tafiq House Number : F-1 Age : 63 Gender : Female	Photo Available	264	ZOV0284364	Name : Ashfaq Sayed Fathers Name: Tafiq Sayed House Number : F-1 Age : 44 Gender : Male	Photo Available
265	MXY1351022	Name : Sana Mulla Fathers Name: Daud Mulla House Number : F-1 Age : 39 Gender : Female	Photo Available	266	MXY1361914	Name : Abrar Sayed Fathers Name: Tafiq Sayed House Number : F-1 Age : 39 Gender : Male	Photo Available	267	ZOV0237883	Name : Aisha Shaikh Husbands Name: Riyaz Shaikh House Number : F-1 Age : 39 Gender : Female	Photo Available
268	ZOV0361402	Name : Mohammad Sohali Mulla Muzawar Fathers Name: Daud Muzawar Mulla House Number : F-1 Age : 26 Gender : Male	Photo Available	269	ZOV0450890	Name : THAJREEN MOMIN Fathers Name: DASTAGIR MOMIN House Number : F-102 HNO 30F-2 1ST FLOOR SHARTHAK NEST Age : 28 Gender : Female	Photo Available	270	MXY1331925	Name : Niyaz Khan Fathers Name: Abdul Khan House Number : FLAT NO-UG-101, Age : 42 Gender : Male	Photo Available

<p>271</p> <p>ZOV0445288</p> <p>Name : AFTAB ABDULLA BEIG Mothers Name : SHAMINA BEIG BEIG House Number : FLAT NO. S/4. Age : 23 Gender : Male</p> <p>Photo</p> <p>Available</p>	<p>272</p> <p>ZOV0449504</p> <p>Name : MUSKAN SALIM KORWALE Fathers Name: Mohamad Salim KORWALE House Number : H NO.02 Age : 22 Gender : Female</p> <p>Photo</p> <p>Available</p>	<p>273</p> <p>ZOV0449637</p> <p>Name : ABDULLAH SALIM KORWALE Fathers Name: Salim Korwale House Number : H No 02 Age : 19 Gender : Male</p> <p>Photo</p> <p>Available</p>
<p>274</p> <p>ZOV0445320</p> <p>Name : ASHAZ ILYAS AHMED SHAIKH Fathers Name: ILYAS AHMED SHAIKH House Number : H. No4 Age : 19 Gender : Male</p> <p>Photo</p> <p>Available</p>	<p>275</p> <p>MXY1361385</p> <p>Name : ILYAS AHMED Fathers Name: ABDUL RAHAMAN House Number : H.no 04 Age : 48 Gender : Male</p> <p>Photo</p> <p>Available</p>	<p>276</p> <p>MXY1359066</p> <p>Name : Anissa Bi Sheikh Husbands Name: Elyaz Sheikh House Number : H no.04 Age : 44 Gender : Female</p> <p>Photo</p> <p>Available</p>
<p>277</p> <p>ZOV0456327</p> <p>Name : RAFAN ILYAS SHAIKH Fathers Name: ILYAS AHMED House Number : H No -04 Age : 19 Gender : Male</p> <p>Photo</p> <p>Available</p>	<p>278</p> <p>ZOV0448803</p> <p>Name : SHAFIAHMAD MALLAD Fathers Name: SAYED IMAMSAB MALLAD House Number : H. No. 8/2 Age : 35 Gender : Male</p> <p>Photo</p> <p>Available</p>	<p>279</p> <p>ZOV0447847</p> <p>Name : JHARIYABI SHIKH Husbands Name: ASIF SHAIKH House Number : H NO 10 curtI Age : 67 Gender : Female</p> <p>Photo</p> <p>Available</p>
<p>280</p> <p>ZOV0276907</p> <p>Name : SABA BI IRFAN MULLA Husbands Name: Rafiq Peerjade House Number : H.NO 11/4 Age : 34 Gender : Female</p> <p>Photo</p> <p>Available</p>	<p>281</p> <p>ZOV0423137</p> <p>Name : Zafar Mohammad Gaus Shaikh Fathers Name: Mohammad Gaus Shaikh House Number : Hno.11/13 Age : 24 Gender : Male</p> <p>Photo</p> <p>Available</p>	<p>282</p> <p>ZOV0447318</p> <p>Name : AYYOOB PATTAN Fathers Name: AHMED PATTAN House Number : H. No.13/1 Age : 38 Gender : Male</p> <p>Photo</p> <p>Available</p>
<p>283</p> <p>ZOV0447300</p> <p>Name : SARJAHAN PATTAN Fathers Name: AHMED PATTAN House Number : H. No. 13/1 Age : 31 Gender : Female</p> <p>Photo</p> <p>Available</p>	<p>284</p> <p>ZOV0447292</p> <p>Name : NURJAHAN PATTAN Fathers Name: AHMED PATTAN House Number : H No.13/1 Age : 28 Gender : Female</p> <p>Photo</p> <p>Available</p>	<p>285</p> <p>ZOV0454686</p> <p>Name : TABBU MAHAMAD SHAFI INAMDAR Fathers Name: MOHAMAD SHAFI INAMDAR House Number : H.NO 13/F Age : 20 Gender : Female</p> <p>Photo</p> <p>Available</p>
<p>286</p> <p>ZOV0446377</p> <p>Name : SUBHAN MULLA MOHAMMAD MUJAWAR Fathers Name: MULLAM MOHAMAD RAFIK MUJAWAR House Number : H. No. 16 Age : 20 Gender : Male</p> <p>Photo</p> <p>Available</p>	<p>287</p> <p>ZOV0451245</p> <p>Name : SALMABANU HARAPANAHALLI Husbands Name: KHASIM HARAPANAHALLI House Number : H. No. 17 Age : 38 Gender : Female</p> <p>Photo</p> <p>Available</p>	<p>288</p> <p>YPS0267682</p> <p>Name : Mangala Anand Madkalkar Fathers Name: Anand Madkalkar House Number : h no 23 Age : 40 Gender : Female</p> <p>Photo</p> <p>Available</p>
<p>289</p> <p>ZOV0449413</p> <p>Name : AFTAB AJAS MULLA MUJAWAR Fathers Name: AJAS MULLA MUJAWAR House Number : H No 25/1 Age : 20 Gender : Male</p> <p>Photo</p> <p>Available</p>	<p>290</p> <p>ZOV0338368</p> <p>Name : Sharifa Ansari Husbands Name: Nasim Ansari House Number : H. No. 27(2) Age : 42 Gender : Female</p> <p>Photo</p> <p>Available</p>	<p>291</p> <p>ZOV0445189</p> <p>Name : NASEEM AHMED ANSARI Fathers Name: ABDUL HAMID ANSARI House Number : H. No. 27(2) Age : 40 Gender : Male</p> <p>Photo</p> <p>Available</p>
<p>292</p> <p>ZOV0341016</p> <p>Name : Abdul khadar k ibrahim kukkankal Fathers Name: K. Ibrahim House Number : H.NO.30 F-1 1ST Age : 37 Gender : Male</p> <p>Photo</p> <p>Available</p>	<p>293</p> <p>ZOV0385369</p> <p>Name : Zayda Rajput Husbands Name: Shahzad Rajput House Number : H.No.37/1 Age : 43 Gender : Female</p> <p>Photo</p> <p>Available</p>	<p>294</p> <p>ZOV0455782</p> <p>Name : SANOBAR HUNSHIKATTI Fathers Name: NIYAZ AHMED HUNSHIKATTI House Number : H. No. S-6 Age : 19 Gender : Female</p> <p>Photo</p> <p>Available</p>
<p>295</p> <p>ZOV0455378</p> <p>Name : FAIZAN MUJAHID ansari Fathers Name: mujahid ansari House Number : house no 18 Age : 21 Gender : Male</p> <p>Photo</p> <p>Available</p>	<p>296</p> <p>ZOV0431429</p> <p>Name : Ismail Jabiulla Hangi Others: Farida Hangi House Number : House No 26 Age : 40 Gender : Male</p> <p>Photo</p> <p>Available</p>	<p>297</p> <p>ZOV0426288</p> <p>Name : Shireenbanu Javid Bepari Husbands Name: Javid Bepari House Number : S-1 Age : 24 Gender : Female</p> <p>Photo</p> <p>Available</p>
<p>298</p> <p>ZOV0274167</p> <p>Name : Nazia Mulla Husbands Name: Gaffur Mulla House Number : S-2 Age : 68 Gender : Female</p> <p>Photo</p> <p>Available</p>	<p>299</p> <p>ZOV0297572</p> <p>Name : Shehmeen Beig Husbands Name: Abdulla Beig House Number : S-4 Age : 48 Gender : Female</p> <p>Photo</p> <p>Available</p>	<p>300</p> <p>ZOV0320382</p> <p>Name : Tousifraza Abdul Rehman Shiratti Fathers Name: Abdul Rahiman Shiratti House Number : S-4 Age : 30 Gender : Male</p> <p>Photo</p> <p>Available</p>

<p>301</p> <p>Name : Mohammad Hbaza Shaikh Fathers Name: Shaikh A Shaikh House Number : 1 Age : 36 Gender : Male</p> <p>Photo Available</p>	ZOV0237909	<p>302</p> <p>Name : Gajanan Vishnu Naik Fathers Name: Vishnu Naik House Number : 1/A Age : 78 Gender : Male</p> <p>Photo Available</p>	MXY7743867	<p>303</p> <p>Name : Suraj Gajanan Naik Fathers Name: Gajanan Naik House Number : 1/s Age : 50 Gender : Male</p> <p>Photo Available</p>	ZOV0399410
<p>304</p> <p>Name : Saroj Suraj Naik Husbands Name: Suraj Naik House Number : 1/A Age : 50 Gender : Female</p> <p>Photo Available</p>	MXY7767049	<p>305</p> <p>Name : Narayan Bhagwant Naik Fathers Name: Bhagwant Naik House Number : 2 Age : 62 Gender : Male</p> <p>Photo Available</p>	MXY7744170	<p>306</p> <p>Name : Neha Narayan Naik Husbands Name: Narayan Naik House Number : 2 Age : 56 Gender : Female</p> <p>Photo Available</p>	MXY7744188
<p>307</p> <p>Name : Babu Chari Fathers Name: Vidhyadhar Chari House Number : 2 Age : 50 Gender : Male</p> <p>Photo Available</p>	ZOV0197319	<p>308</p> <p>Name : Priya Chari Husbands Name: Babu Chari House Number : 2 Age : 40 Gender : Female</p> <p>Photo Available</p>	MXY1356807	<p>309</p> <p>Name : Sunita Hangirgekar Fathers Name: Yellappa Hangirgekar House Number : 2 Age : 31 Gender : Female</p> <p>Photo Available</p>	ZOV0320465
<p>310</p> <p>Name : Nikita Naik Fathers Name: Narayan Naik House Number : 2 Age : 30 Gender : Female</p> <p>Photo Available</p>	ZOV0320341	<p>311</p> <p>Name : NIKIL NAIK Fathers Name: Narayan Naik House Number : 02 Age : 28 Gender : Male</p> <p>Photo Available</p>	ZOV0367714	<p>312</p> <p>Name : Priyanshu Chari Fathers Name: Babu Chari House Number : 2 Age : 21 Gender : Male</p> <p>Photo Available</p>	ZOV0431486
<p>313</p> <p>Name : Tasina Kerodi Fathers Name: Abdul Munaf Kerodi House Number : 2/B Age : 23 Gender : Female</p> <p>Photo Available</p>	ZOV0422568	<p>314</p> <p>Name : Manik Naik Husbands Name: Savio Naik House Number : 3 Age : 64 Gender : Female</p> <p>Photo Available</p>	ZOV0151514	<p>315</p> <p>Name : Narayan Naik Fathers Name: Savio Naik House Number : 3 Age : 42 Gender : Male</p> <p>Photo Available</p>	MXY1369081
<p>316</p> <p>Name : Laksha Naik Fathers Name: Dhaku Naik House Number : 3 Age : 32 Gender : Male</p> <p>Photo Available</p>	ZOV0287714	<p>317</p> <p>Name : Demu Naik Fathers Name: Ladu Naik House Number : 3/A Age : 61 Gender : Male</p> <p>Photo Available</p>	MXY7754344	<p>318</p> <p>Name : Suchita Naik Husbands Name: Demu Naik House Number : 3/A Age : 51 Gender : Female</p> <p>Photo Available</p>	MXY7753353
<p>319</p> <p>Name : Sairaj Naik Fathers Name: Demu Naik House Number : 3/A Age : 27 Gender : Male</p> <p>Photo Available</p>	ZOV0356279	<p>320</p> <p>Name : Dhaku Ladu Naik Fathers Name: Ladu Naik House Number : 3/B Age : 57 Gender : Male</p> <p>Photo Available</p>	MXY7753379	<p>321</p> <p>Name : Rupa Dhaku Naik Husbands Name: Dhaku Naik House Number : 3/B Age : 54 Gender : Female</p> <p>Photo Available</p>	MXY7753361
<p>322</p> <p>Name : Shiddesh Naik Fathers Name: Dhaku Naik House Number : 3 C Age : 30 Gender : Male</p> <p>Photo Available</p>	ZOV0320432	<p>323</p> <p>Name : Shakeela Mutkappa Husbands Name: Zabi Ulla Mutkappa House Number : 3/G Age : 84 Gender : Female</p> <p>Photo Available</p>	ZOV0372086	<p>324</p> <p>Name : Sarfaraj Sayyed Fathers Name: Ahmed Sayyed House Number : 5 Age : 34 Gender : Male</p> <p>Photo Available</p>	ZOV0290437
<p>325</p> <p>Name : Rafeek Sayyed Fathers Name: Ahmed Sayyed House Number : 5 Age : 33 Gender : Male</p> <p>Photo Available</p>	ZOV0290429	<p>326</p> <p>Name : Mustafa Khan Fathers Name: Abdul Khan House Number : 6 Age : 68 Gender : Male</p> <p>Photo Available</p>	ZOV0254847	<p>327</p> <p>Name : Nusrat Khan Husbands Name: Mustafa Khan House Number : 6 Age : 64 Gender : Female</p> <p>Photo Available</p>	ZOV0248286
<p>328</p> <p>Name : Farida Kibariya Husbands Name: Md Hasanuddin Saber Kibariya House Number : 6 Age : 61 Gender : Female</p> <p>Photo Available</p>	ZOV0309104	<p>329</p> <p>Name : Asadullah Khan Fathers Name: Abdul Rauf Khan House Number : 6 Age : 54 Gender : Male</p> <p>Photo Available</p>	MXY1386929	<p>330</p> <p>Name : Farhad Khan Husbands Name: Asadullah Khan House Number : 6 Age : 49 Gender : Female</p> <p>Photo Available</p>	MXY1377530

<p>331</p> <p>ZOV0256784</p> <p>Name : Zuber Khan Fathers Name: Mustafa Khan House Number : 6 Age : 44 Gender : Male</p> <p>Photo Available</p>	<p>332</p> <p>MXY0967331</p> <p>Name : Umehani Khan Fathers Name: Mustafa Khan House Number : 6 Age : 42 Gender : Female</p> <p>Photo Available</p>	<p>333</p> <p>ZOV0237933</p> <p>Name : Zafar Khan Fathers Name: Mustafa Khan House Number : 6 Age : 38 Gender : Male</p> <p>Photo Available</p>
<p>334</p> <p>ZOV0237925</p> <p>Name : Mudassar Khan Gauri Fathers Name: Mustafa Khan Gauri House Number : 6 Age : 35 Gender : Male</p> <p>Photo Available</p>	<p>335</p> <p>ZOV0237941</p> <p>Name : Sarfaraj Khan Gauri Fathers Name: Mustafa Khan Gauri House Number : 6 Age : 35 Gender : Male</p> <p>Photo Available</p>	<p>336</p> <p>ZOV0309120</p> <p>Name : Atam Kibariya Fathers Name: Md Hasanuddin Saber Kibariya House Number : 6 Age : 32 Gender : Male</p> <p>Photo Available</p>
<p>337</p> <p>ZOV0309112</p> <p>Name : Nazam Kibariya Fathers Name: Md Hasanuddin Saber Kibariya House Number : 6 Age : 31 Gender : Male</p> <p>Photo Available</p>	<p>338</p> <p>ZOV0427179</p> <p>Name : Sumaiyah Bi Khan Gauri Fathers Name: Asadullah Rauf Khan Gauri House Number : 6 Age : 24 Gender : Female</p> <p>Photo Available</p>	<p>339</p> <p>ZOV0334615</p> <p>Name : Karishma Shaikh Fathers Name: Shaukat Ali Shaikh House Number : 06/1 Age : 32 Gender : Female</p> <p>Photo Available</p>
<p>340</p> <p>ZOV0335554</p> <p>Name : Ashma Shaikh Fathers Name: Shaukat Ali Shaikh House Number : 06/1 Age : 31 Gender : Female</p> <p>Photo Available</p>	<p>341</p> <p>ZOV0335562</p> <p>Name : Nagma Shaikh Fathers Name: Shaukat Ali Shaikh House Number : 06/1 Age : 30 Gender : Female</p> <p>Photo Available</p>	<p>342</p> <p>ZOV0431312</p> <p>Name : Afifa Bi Khan Fathers Name: Asadullah Khan House Number : 6 nagzar curti Age : 21 Gender : Female</p> <p>Photo Available</p>
<p>343</p> <p>ZOV0284307</p> <p>Name : Nandibi Mirabai Husbands Name: Amrinsab Mirabai House Number : 7 Age : 90 Gender : Female</p> <p>Photo Available</p>	<p>344</p> <p>ZOV0198192</p> <p>Name : Shaukat Shaikh Fathers Name: Aziz Shaikh House Number : 7 Age : 50 Gender : Male</p> <p>Photo Available</p>	<p>S 345</p> <p>MXY1356351</p> <p>Name : Basavraj Gudrunte Fathers Name: Siddharan Gudrunte House Number : 7 Age : 58 Gender : Male</p> <p>Photo Available</p>
<p>S 346</p> <p>MXY1354612</p> <p>Name : Bashar Ahmad Ganatmani Fathers Name: Khansab Ganatmani House Number : 7 Age : 47 Gender : Male</p> <p>Photo Available</p>	<p>347</p> <p>MXY7744006</p> <p>Name : Somnath Naik Fathers Name: Krishna Naik House Number : 8 Age : 52 Gender : Male</p> <p>Photo Available</p>	<p>S 348</p> <p>ZOV0297580</p> <p>Name : Bibi Batul Daulati Fathers Name: Hasham Daulati House Number : 8 Age : 35 Gender : Female</p> <p>Photo Available</p>
<p>S 349</p> <p>ZOV0319483</p> <p>Name : Salama Daulati Fathers Name: Muhammad Hasham Daulati House Number : 8 Age : 30 Gender : Female</p> <p>Photo Available</p>	<p>S 350</p> <p>ZOV0372391</p> <p>Name : Irfan Alli Devallatti Fathers Name: Mohammad Hasham Devallatti House Number : 8 Age : 25 Gender : Male</p> <p>Photo Available</p>	<p>351</p> <p>ZOV0443192</p> <p>Name : Bajrangi Kumar Singh Fathers Name: Awach narayan Singh House Number : 8/3 Age : 30 Gender : Male</p> <p>Photo Available</p>
<p>S 352</p> <p>MXY6820419</p> <p>Name : Chanappa Maigeri Fathers Name: Shivangappa Maigeri House Number : 8/3/2 Age : 65 Gender : Male</p> <p>Photo Available</p>	<p>S 353</p> <p>ZOV0199497</p> <p>Name : Vassu Ningoji Fathers Name: Krishnappa Ningoji House Number : 8/3/2 Age : 55 Gender : Male</p> <p>Photo Available</p>	<p>S 354</p> <p>ZOV0199455</p> <p>Name : Lalita Ningoji Husbands Name: Vassu Ningoji House Number : 8/3/2 Age : 55 Gender : Female</p> <p>Photo Available</p>
<p>355</p> <p>MXY7752496</p> <p>Name : Raziabi Shaikh Husbands Name: Hasan Shaikh House Number : 9 Age : 63 Gender : Female</p> <p>Photo Available</p>	<p>S 356</p> <p>MXY1352244</p> <p>Name : Renuka Godmani Husbands Name: Chandni Godmani House Number : 9 Age : 55 Gender : Female</p> <p>Photo Available</p>	<p>357</p> <p>MXY7752538</p> <p>Name : Faimida Shaikh Fathers Name: Hassan Shaikh House Number : 9 Age : 48 Gender : Female</p> <p>Photo Available</p>
<p>358</p> <p>MXY1377324</p> <p>Name : Feroza Bi Shaikh Fathers Name: Hassan Shaikh House Number : 9 Age : 43 Gender : Female</p> <p>Photo Available</p>	<p>359</p> <p>MXY1377217</p> <p>Name : Hussain Shaikh Fathers Name: Hassan Shaikh House Number : 9 Age : 41 Gender : Male</p> <p>Photo Available</p>	<p>360</p> <p>MXY1377340</p> <p>Name : Jamir Shaikh Fathers Name: Hassan Shaikh House Number : 9 Age : 39 Gender : Male</p> <p>Photo Available</p>

<p>S 361</p> <p>MXV1350263</p> <p>Name : Shrikant Godmani Fathers Name: Chandru Godmani House Number : 9 Age : 39 Gender : Male</p> <p>Photo Available</p>	<p>362</p> <p>ZOV0331843</p> <p>Name : Rubina Shaikh Husbands Name: Jamir Shaikh House Number : 9 Age : 35 Gender : Female</p> <p>Photo Available</p>	<p>363</p> <p>ZOV0337238</p> <p>Name : Masira Shaikh Husbands Name: Hussain Shaikh House Number : 9 Age : 35 Gender : Female</p> <p>Photo Available</p>
<p>364</p> <p>ZOV0203133</p> <p>Name : Fatima Pathan Husbands Name: Abdul Sattar Pathan House Number : 10 Age : 66 Gender : Female</p> <p>Photo Available</p>	<p>365</p> <p>MXV1321744</p> <p>Name : Noor Ahmad Sakli Fathers Name: Mohamad Sakli House Number : 10 Age : 52 Gender : Male</p> <p>Photo Available</p>	<p>366</p> <p>MXV1323906</p> <p>Name : Arifabi Sakali Husbands Name: Noor Mohamad Sakali House Number : 10 Age : 48 Gender : Female</p> <p>Photo Available</p>
<p># 367</p> <p>ZOV0202259</p> <p>Name : ASSAN SAB CATIB Fathers Name: Tajuddin Khatib House Number : 10/a Age : 53 Gender : Male</p> <p>Photo Available</p>	<p>368</p> <p>MXV0967869</p> <p>Name : Rihana Khatib Husbands Name: Hassan Khatib House Number : 10/A Age : 49 Gender : Female</p> <p>Photo Available</p>	<p>369</p> <p>MXV1357177</p> <p>Name : MAHBOOB SUBANI Khatib Fathers Name: Tajuddin Khatib House Number : 10/a Age : 44 Gender : Male</p> <p>Photo Available</p>
<p>370</p> <p>MXV0966317</p> <p>Name : Shanazbi Khatib Fathers Name: Tajuddin Khatib House Number : 10/A Age : 43 Gender : Female</p> <p>Photo Available</p>	<p>371</p> <p>MXV9308495</p> <p>Name : Suleman Khatib Shaikh Fathers Name: Tajuddin Khatib Shaikh House Number : 10/a Age : 42 Gender : Male</p> <p>Photo Available</p>	<p>372</p> <p>MXV9308461</p> <p>Name : Sarfaraz Khatib Fathers Name: Tajuddin Khatib House Number : 10/a Age : 40 Gender : Male</p> <p>Photo Available</p>
<p>373</p> <p>MXV9308487</p> <p>Name : Mahammad Danif Khatib Fathers Name: Tajuddin Khatib House Number : 10/A Age : 38 Gender : Male</p> <p>Photo Available</p>	<p>374</p> <p>ZOV0323055</p> <p>Name : Samira Khatib Husbands Name: Mehboob .S Khatib House Number : 10/A Age : 34 Gender : Female</p> <p>Photo Available</p>	<p>375</p> <p>ZOV0423905</p> <p>Name : Rehmat Bi Mahammad Danif Khatib Husbands Name: Mahammad Danif Khatib House Number : 10/A Age : 34 Gender : Female</p> <p>Photo Available</p>
<p>376</p> <p>ZOV0431379</p> <p>Name : Shabina Sarfaraz Khatib Husbands Name: Sarfaraz Tajuddin Khatib House Number : 10/A Age : 30 Gender : Female</p> <p>Photo Available</p>	<p>377</p> <p>ZOV0356444</p> <p>Name : Sana Shaikh Husbands Name: Suleman Shaikh House Number : 10/A Age : 28 Gender : Female</p> <p>Photo Available</p>	<p>378</p> <p>ZOV0414979</p> <p>Name : Rehan Khatib Fathers Name: Asham Khatib House Number : 10/A Age : 23 Gender : Male</p> <p>Photo Available</p>
<p>379</p> <p>ZOV0238469</p> <p>Name : Jahidkhan Pathan Fathers Name: Ahamad Pathan House Number : 10/C Age : 36 Gender : Male</p> <p>Photo Available</p>	<p>380</p> <p>ZOV0399287</p> <p>Name : Rasulsab Loni Fathers Name: Miraba Loni House Number : 11 Age : 72 Gender : Male</p> <p>Photo Available</p>	<p>381</p> <p>ZOV0399279</p> <p>Name : Jazthumbi Loni Husbands Name: Rasulsab Loni House Number : 11 Age : 59 Gender : Female</p> <p>Photo Available</p>
<p>382</p> <p>MXV1359793</p> <p>Name : Rehman Tahasildar Fathers Name: Hussainsab Tahasildar House Number : 11 Age : 53 Gender : Male</p> <p>Photo Available</p>	<p>383</p> <p>MXV1349331</p> <p>Name : Dilavar Sayyad Fathers Name: Badshah Sayyad House Number : 11 Age : 50 Gender : Male</p> <p>Photo Available</p>	<p>384</p> <p>MXV8874083</p> <p>Name : Khujabir Loni Fathers Name: Rasulsab Loni House Number : 11 Age : 47 Gender : Male</p> <p>Photo Available</p>
<p>385</p> <p>MXV1360122</p> <p>Name : Bibijan Sayyad Husbands Name: Dilavar Sayyad House Number : 11 Age : 45 Gender : Female</p> <p>Photo Available</p>	<p>386</p> <p>MXV1356617</p> <p>Name : Daulbi Tahasildar Husbands Name: Rehaman Tahasildar House Number : 11 Age : 44 Gender : Female</p> <p>Photo Available</p>	<p>387</p> <p>MXV1349174</p> <p>Name : Fatimabi Loni Husbands Name: Khujapir Loni House Number : 11 Age : 42 Gender : Female</p> <p>Photo Available</p>
<p>388</p> <p>ZOV0331892</p> <p>Name : Halima Loni Fathers Name: Rasulsab Loni House Number : 11 Age : 28 Gender : Female</p> <p>Photo Available</p>	<p>389</p> <p>ZOV0426163</p> <p>Name : Sajya Rasulsab Loni Fathers Name: Rasulsab Loni House Number : 11 Age : 23 Gender : Female</p> <p>Photo Available</p>	<p>390</p> <p>MXV0968149</p> <p>Name : Narayan Kampad Fathers Name: Girayappa Kampad House Number : 11/1 Age : 55 Gender : Male</p> <p>Photo Available</p>

391 Name : Laxmi Kampad Husbands Name: Narayan Kampad House Number : 11/1 Age : 48 Gender : Female	ZOV0204289 Photo Available	392 Name : Mahesh Kaimpwad Fathers Name: Narayan Kaimpwad House Number : 11/1 Age : 31 Gender : Male	ZOV0313684 Photo Available	393 Name : Uma Kaimpwad Fathers Name: Narayan Kaimpwad House Number : 11/1 Age : 29 Gender : Female	ZOV0330068 Photo Available
394 Name : Nilesh Kampwad Fathers Name: Narayan Kampwad House Number : 11/1 Age : 27 Gender : Male	ZOV0352013 Photo Available	395 Name : Yellappa Gojekar Fathers Name: Shanta Gojekar House Number : 11/2 Age : 50 Gender : Male	ZOV0248294 Photo Available	396 Name : Sanjay Gojekar Fathers Name: Rama Gojekar House Number : 11/2 Age : 39 Gender : Male	MXY0966135 Photo Available
397 Name : Shilpa Gojekar Husbands Name: Yellappa Gojekar House Number : 11/2 Age : 36 Gender : Female	ZOV0237966 Photo Available	398 Name : Sanjana Gojekar Husbands Name: Sanjay Gojekar House Number : 11/2 Age : 35 Gender : Female	ZOV0426205 Photo Available	399 Name : Arjun Pakhare Fathers Name: Hanumant Pakhare House Number : 11/3 Age : 62 Gender : Male	MXY7765837 Photo Available
400 Name : Sudha Pakhare Husbands Name: Arjun Pakhare House Number : 11/3 Age : 55 Gender : Female	MXY0945071 Photo Available	# 401 Name : Santosh Pakhare Fathers Name: Arjun Pakhare House Number : 11/3 Age : 38 Gender : Male	MXY1325133 Photo Available	402 Name : Surekha Pakhare Fathers Name: Arjun Pakhare House Number : 11/3 Age : 34 Gender : Female	ZOV0237974 Photo Available
403 Name : Sagar Pakhare Fathers Name: Arjun Pakhare House Number : 11/3 Age : 30 Gender : Male	ZOV0321885 Photo Available	404 Name : Munir Mulla Fathers Name: Babasaheb Mulla House Number : 11/4 Age : 65 Gender : Male	MXY0968024 Photo Available	405 Name : Riyana Mulla Husbands Name: Munir Mulla House Number : 11/4 Age : 55 Gender : Female	MXY0966820 Photo Available
406 Name : Irfan Mulla Fathers Name: Munir Mulla House Number : 11/4 Age : 39 Gender : Male	MXY1354489 Photo Available	407 Name : Farzana Mulla Fathers Name: Munir Mulla House Number : 11/4 Age : 38 Gender : Female	MXY1355536 Photo Available	408 Name : Yallava Hosamani Husbands Name: Mallappa Hosamani House Number : 11/5 Age : 60 Gender : Female	MXY1358555 Photo Available
409 Name : Yeshwant Hosamani Fathers Name: Malappa Hosamani House Number : 11/5 Age : 39 Gender : Male	ZOV0197756 Photo Available	410 Name : Parez Sayyad Fathers Name: NA Sayyad House Number : 11/6 Age : 53 Gender : Male	ZOV0284323 Photo Available	411 Name : Hasina Sayyad Fathers Name: Parvez Sayyad House Number : 11/6 Age : 45 Gender : Female	ZOV0284398 Photo Available
412 Name : Ravi Naik Fathers Name: Yامنappa Naik House Number : 11/6 Age : 41 Gender : Male	MXY1353333 Photo Available	413 Name : Sharmila Shaikh Husbands Name: Shaukat Shaikh House Number : 11/07 Age : 46 Gender : Female	MXY7742893 Photo Available	414 Name : Nisha Desai Husbands Name: Vinod Desai House Number : 11/7 Age : 38 Gender : Female	ZOV0366385 Photo Available
415 Name : MUSKAN SHAIKH Fathers Name: SHAUKAT SHAIKH House Number : 11/7 Age : 24 Gender : Female	ZOV0379438 Photo Available	416 Name : Muzna Shaikh Fathers Name: Shaukat Shaikh House Number : 11/7 Age : 22 Gender : Female	ZOV0417956 Photo Available	417 Name : Laxman Patil Fathers Name: Yallappa Patil House Number : 11/7/a Age : 40 Gender : Male	MXY1355759 Photo Available
418 Name : Yuvraj Patil Fathers Name: Sadashiv Patil House Number : 11/7/A Age : 29 Gender : Male	ZOV0414854 Photo Available	419 Name : Peeru Patil Fathers Name: Sadashiv Patil House Number : 11/7/A Age : 26 Gender : Male	ZOV0414805 Photo Available	420 Name : Sabir Shaikh Fathers Name: Nazir Shaikh House Number : 11/8 Age : 56 Gender : Male	ZOV0321893 Photo Available

<p>421</p> <p>ZOV0334516</p> <p>Name : Sanam Shaikh Fathers Name: Shabir Shaikh House Number : 11/8 Age : 28 Gender : Female</p> <p>Photo Available</p>	<p>422</p> <p>ZOV0320440</p> <p>Name : Arzoo Shaikh Fathers Name: Sabir Shaikh House Number : 11/8-A Age : 30 Gender : Female</p> <p>Photo Available</p>	<p>423</p> <p>ZOV0334557</p> <p>Name : Adil Shaikh Fathers Name: Sabir Shaikh House Number : 11/8-B Age : 29 Gender : Male</p> <p>Photo Available</p>
<p>424</p> <p>ZOV0361410</p> <p>Name : Sharuk Shaikh Fathers Name: Shabir Shaikh House Number : 11/8-B Age : 27 Gender : Male</p> <p>Photo Available</p>	<p>425</p> <p>MXY0967208</p> <p>Name : Rajinabi Mulla Husbands Name: Maheboobsab Mulla House Number : 11/10 Age : 75 Gender : Female</p> <p>Photo Available</p>	<p>426</p> <p>MXY0967216</p> <p>Name : Parvin Banu Mulla Husbands Name: Dasgirsab Mulla House Number : 11/10 Age : 51 Gender : Female</p> <p>Photo Available</p>
<p>427</p> <p>ZOV0334532</p> <p>Name : Sarfaraj Alarwad Mujavar Fathers Name: Dastagir Alarwad Mujavar House Number : 11/10 Age : 29 Gender : Male</p> <p>Photo Available</p>	<p>428</p> <p>ZOV0352047</p> <p>Name : Rafiq Ovadavada Fathers Name: Dastagir Ovadavada House Number : 11/10 Age : 27 Gender : Male</p> <p>Photo Available</p>	<p>429</p> <p>MXY1379296</p> <p>Name : Girmal Patil Fathers Name: Yalappa Patil House Number : 11/11 Age : 75 Gender : Male</p> <p>Photo Available</p>
<p>430</p> <p>MXY1379262</p> <p>Name : Sonabai Patil Husbands Name: Girmal Patil House Number : 11/11 Age : 65 Gender : Female</p> <p>Photo Available</p>	<p>S 431</p> <p>MXY9309022</p> <p>Name : Chinnappa Patil Fathers Name: Sheelappa Patil House Number : 11/11 Age : 56 Gender : Female</p> <p>Photo Available</p>	<p>S 432</p> <p>MXY9309030</p> <p>Name : Kamlavva Patil Husbands Name: Chinnappa Patil House Number : 11/11 Age : 54 Gender : Female</p> <p>Photo Available</p>
<p>433</p> <p>MXY1080100</p> <p>Name : Surekha Patil Husbands Name: Hanumant Patil House Number : 11/11 Age : 43 Gender : Female</p> <p>Photo Available</p>	<p>434</p> <p>ZOV0349134</p> <p>Name : Parshuram Patil Fathers Name: Chinappa Patil House Number : 11/11 Age : 29 Gender : Male</p> <p>Photo Available</p>	<p>S 435</p> <p>ZOV0375956</p> <p>Name : Afrin Bidkar Husbands Name: Sejan Bidkar House Number : 11/11 Age : 25 Gender : Female</p> <p>Photo Available</p>
<p>S 436</p> <p>ZOV0339762</p> <p>Name : Ayub Hatroti Fathers Name: Mohamad Hatroti House Number : 11/11/A Age : 28 Gender : Male</p> <p>Photo Available</p>	<p>S 437</p> <p>ZOV0183806</p> <p>Name : Mohammad Isul Shaikwale Fathers Name: Muddasir Shaikwale House Number : 11/11/B Age : 58 Gender : Male</p> <p>Photo Available</p>	<p>438</p> <p>MXY1355742</p> <p>Name : Annappa Patil Fathers Name: Yalappa Patil House Number : 11/11/b Age : 50 Gender : Male</p> <p>Photo Available</p>
<p>439</p> <p>MXY0261339</p> <p>Name : Hanumant Patil Fathers Name: Girmal Patil House Number : 11/11/B Age : 46 Gender : Male</p> <p>Photo Available</p>	<p>440</p> <p>MXY1379270</p> <p>Name : Yalavat Patil Husbands Name: Annappa Patil House Number : 11/11/b Age : 45 Gender : Female</p> <p>Photo Available</p>	<p>S 441</p> <p>ZOV0333880</p> <p>Name : Khwajainudin Shaikwale Fathers Name: Mohammad Yusuf Shaikwale House Number : 11/11/B Age : 29 Gender : Male</p> <p>Photo Available</p>
<p>442</p> <p>ZOV0426403</p> <p>Name : Gauresh Patil Fathers Name: Hanumant Patil House Number : 11/11-B Age : 22 Gender : Male</p> <p>Photo Available</p>	<p>443</p> <p>MXY7744162</p> <p>Name : Khatjabi Herekar Husbands Name: Mohamadali Herekar House Number : 11/13 Age : 68 Gender : Female</p> <p>Photo Available</p>	<p>444</p> <p>MXY7752843</p> <p>Name : Mohamad Shaikh Fathers Name: Babalal Shaikh House Number : 11/13 Age : 58 Gender : Male</p> <p>Photo Available</p>
<p>445</p> <p>MXY0945410</p> <p>Name : Sakira Shaikh Husbands Name: Mohamad Shaikh House Number : 11/13 Age : 49 Gender : Female</p> <p>Photo Available</p>	<p>446</p> <p>MXY1322130</p> <p>Name : Mohamad Hanif Herekar Fathers Name: Mohamad Ali Herekar House Number : 11/13 Age : 48 Gender : Male</p> <p>Photo Available</p>	<p>447</p> <p>MXY0945386</p> <p>Name : Mujahid Herekar Fathers Name: Mohamad Ali Herekar House Number : 11/13 Age : 46 Gender : Male</p> <p>Photo Available</p>
<p>448</p> <p>MXY0945345</p> <p>Name : Bashir Herekar Fathers Name: Mohamad Ali Herekar House Number : 11/13 Age : 44 Gender : Male</p> <p>Photo Available</p>	<p>449</p> <p>MXY1322148</p> <p>Name : Ashma Herekar Husbands Name: Mohamad Herekar House Number : 11/13 Age : 41 Gender : Female</p> <p>Photo Available</p>	<p>450</p> <p>MXY1322155</p> <p>Name : Shamsad Herekar Husbands Name: Mujahid Herekar House Number : 11/13 Age : 40 Gender : Female</p> <p>Photo Available</p>

<p>451</p> <p>ZOV0308619</p> <p>Name : Reesabanu Shaikh Fathers Name: Mohamad Shaikh House Number : 11/13 Age : 31 Gender : Female</p> <p>Photo</p> <p>Available</p>	<p>S 452</p> <p>ZOV0237990</p> <p>Name : Mahamad Adil Khan Fathers Name: Mahamad Nam Khan House Number : 11/13-A Age : 35 Gender : Male</p> <p>Photo</p> <p>Available</p>	<p>453</p> <p>MXY1323021</p> <p>Name : Jaitumbi Badwale Husbands Name: Chamansab Badwale House Number : 11/15 Age : 85 Gender : Female</p> <p>Photo</p> <p>Available</p>
<p>454</p> <p>MXY1380245</p> <p>Name : Dastagir Rajesaheb Patel Fathers Name: Rajasab Patil House Number : 11/15 Age : 60 Gender : Male</p> <p>Photo</p> <p>Available</p>	<p>455</p> <p>ZOV0238477</p> <p>Name : Bibizahra Patel Husbands Name: Dastgeer Sab Patel House Number : 11/15 Age : 55 Gender : Female</p> <p>Photo</p> <p>Available</p>	<p>456</p> <p>ZOV0436840</p> <p>Name : Rajesab Dastgir Patel Fathers Name: Dastgir Patel House Number : 11-15 Age : 21 Gender : Male</p> <p>Photo</p> <p>Available</p>
<p>457</p> <p>ZOV0069039</p> <p>Name : Rashidabi Tahasildar Husbands Name: Imam Hussain Tahasildar House Number : 11/16 Age : 65 Gender : Female</p> <p>Photo</p> <p>Available</p>	<p>458</p> <p>ZOV0268094</p> <p>Name : Anwar Tahasildar Fathers Name: Imam Hussain Tahasildar House Number : 11/16 Age : 46 Gender : Male</p> <p>Photo</p> <p>Available</p>	<p>459</p> <p>ZOV0268102</p> <p>Name : Ashraf Tahasildar Fathers Name: Imam Hussain Tahasildar House Number : 11/16 Age : 43 Gender : Male</p> <p>Photo</p> <p>Available</p>
<p>460</p> <p>ZOV0284455</p> <p>Name : Atzal Tahasildar Fathers Name: Hussain Tahasildar House Number : 11/16 Age : 42 Gender : Male</p> <p>Photo</p> <p>Available</p>	<p>461</p> <p>ZOV0069054</p> <p>Name : Shabnam Tahasildar Husbands Name: Anwar Tahasildar House Number : 11/16 Age : 40 Gender : Female</p> <p>Photo</p> <p>Available</p>	<p>462</p> <p>ZOV0319467</p> <p>Name : Roshan Begambi Tahasildar Husbands Name: Atzal Tahasildar House Number : 11/16 Age : 32 Gender : Female</p> <p>Photo</p> <p>Available</p>
<p>463</p> <p>ZOV0422576</p> <p>Name : SEEFA Tahsildar Fathers Name: Anwar Tahsildar House Number : 11/16 Age : 22 Gender : Female</p> <p>Photo</p> <p>Available</p>	<p>S 464</p> <p>MXY1323393</p> <p>Name : Krankumar Hongare Fathers Name: Yashappa Hongare House Number : 11/18 Age : 50 Gender : Male</p> <p>Photo</p> <p>Available</p>	<p>S 465</p> <p>MXY1350735</p> <p>Name : Vasant Kumar Fathers Name: Basappa Kumar House Number : 11/18 Age : 47 Gender : Male</p> <p>Photo</p> <p>Available</p>
<p>S 466</p> <p>MXY1355163</p> <p>Name : Basamma Huga Husbands Name: Krankumar Hongare House Number : 11/18 Age : 46 Gender : Female</p> <p>Photo</p> <p>Available</p>	<p>467</p> <p>ZOV0284414</p> <p>Name : Tabassum Shaikh Husbands Name: Shabir Shaikh House Number : 11/18 Age : 46 Gender : Female</p> <p>Photo</p> <p>Available</p>	<p>S 468</p> <p>ZOV0367706</p> <p>Name : Ailiya Sategeri Husbands Name: Mustafa Sategeri House Number : 11/18 Age : 37 Gender : Female</p> <p>Photo</p> <p>Available</p>
<p>469</p> <p>ZOV0436246</p> <p>Name : SAHIL SHAIKH Fathers Name: SALIM SHAIKH House Number : 11/18 Age : 22 Gender : Male</p> <p>Photo</p> <p>Available</p>	<p>470</p> <p>MXY1363886</p> <p>Name : Babu Kittur Fathers Name: Mohamad Kittur House Number : 11/19 Age : 70 Gender : Male</p> <p>Photo</p> <p>Available</p>	<p>471</p> <p>ZOV0314906</p> <p>Name : Khadarbi Kittur Husbands Name: Babu Kittur House Number : 11/19 Age : 60 Gender : Female</p> <p>Photo</p> <p>Available</p>
<p>472</p> <p>ZOV0284463</p> <p>Name : Rajza Kittur Fathers Name: Babu Kittur House Number : 11/19 Age : 38 Gender : Female</p> <p>Photo</p> <p>Available</p>	<p>473</p> <p>ZOV0352005</p> <p>Name : Mehabooba Subani Kittur Fathers Name: Babumada Kittur House Number : 11/19 Age : 27 Gender : Male</p> <p>Photo</p> <p>Available</p>	<p>474</p> <p>ZOV0431320</p> <p>Name : Khairun Shaikh Husbands Name: Mehaboob Subani Kittur House Number : 11/19 Age : 25 Gender : Female</p> <p>Photo</p> <p>Available</p>
<p>475</p> <p>MXY0968255</p> <p>Name : Hanumant Vjantri Fathers Name: Basappa Vjantri House Number : 11/20 Age : 79 Gender : Male</p> <p>Photo</p> <p>Available</p>	<p>476</p> <p>MXY1356310</p> <p>Name : Suresh Lamani Fathers Name: Sumappa Lamani House Number : 11/20 Age : 55 Gender : Male</p> <p>Photo</p> <p>Available</p>	<p>477</p> <p>ZOV0284422</p> <p>Name : Laxmibai Vjantri Fathers Name: Hanumant Vjantri House Number : 11/20 Age : 50 Gender : Female</p> <p>Photo</p> <p>Available</p>
<p>478</p> <p>ZOV0284489</p> <p>Name : Sheela Lamani Husbands Name: Suresh Lamani House Number : 11/20 Age : 45 Gender : Female</p> <p>Photo</p> <p>Available</p>	<p>479</p> <p>ZOV0285270</p> <p>Name : Nagraj Vjantri Fathers Name: Hanumant Vjantri House Number : 11/20 Age : 43 Gender : Male</p> <p>Photo</p> <p>Available</p>	<p>480</p> <p>MXY1369354</p> <p>Name : Mallikarjun Vjantri Fathers Name: Hanumant Vjantri House Number : 11/20 Age : 42 Gender : Male</p> <p>Photo</p> <p>Available</p>

<p>481</p> <p>ZOV0426346</p> <p>Name : Nageshree Vajantri Fathers Name: Vinod Vajantri House Number : 11/20 Age : 29 Gender : Female</p> <p>Photo</p> <p>Available</p>	<p>482</p> <p>ZOV0254854</p> <p>Name : Shebina Begam Loni Fathers Name: Kutubsab Loni House Number : 11/21 Age : 36 Gender : Female</p> <p>Photo</p> <p>Available</p>	<p>483</p> <p>ZOV0400184</p> <p>Name : Kutubsab Lony Fathers Name: Mirabi Lony House Number : 11/22 Age : 60 Gender : Male</p> <p>Photo</p> <p>Available</p>
<p>484</p> <p>ZOV0254888</p> <p>Name : Fatimabi Lony Husbands Name: Kutubsab Lony House Number : 11/22 Age : 51 Gender : Female</p> <p>Photo</p> <p>Available</p>	<p>485</p> <p>MXY1363464</p> <p>Name : Miyasab Nimbal Fathers Name: Aminsab Nimbal House Number : 11/22 Age : 50 Gender : Male</p> <p>Photo</p> <p>Available</p>	<p>486</p> <p>ZOV0237560</p> <p>Name : Shabhir Loni Fathers Name: Khutub Sab Loni House Number : 11/22 Age : 34 Gender : Male</p> <p>Photo</p> <p>Available</p>
<p>487</p> <p>ZOV0290395</p> <p>Name : Sharif Loni Fathers Name: Khutabu Loni House Number : 11/22 Age : 33 Gender : Male</p> <p>Photo</p> <p>Available</p>	<p>488</p> <p>ZOV0424549</p> <p>Name : Shafia Babu Shaikh Husbands Name: Shabir Loni House Number : 11/22 Age : 27 Gender : Female</p> <p>Photo</p> <p>Available</p>	<p>489</p> <p>ZOV0424556</p> <p>Name : Jasmeen Loni Husbands Name: Sharif Loni House Number : 11/22 Age : 26 Gender : Female</p> <p>Photo</p> <p>Available</p>
<p>490</p> <p>MXY1363662</p> <p>Name : Husein Shaikh Fathers Name: Babusab Shaikh House Number : 11/24 Age : 56 Gender : Male</p> <p>Photo</p> <p>Available</p>	<p>491</p> <p>MXY1352038</p> <p>Name : Husseinbi Shaikh Husbands Name: Hussain Shaikh House Number : 11/24 Age : 50 Gender : Female</p> <p>Photo</p> <p>Available</p>	<p>492</p> <p>ZOV0237982</p> <p>Name : Ayisha Shaikh Husbands Name: Hassainsab Shaikh House Number : 11/24 Age : 47 Gender : Female</p> <p>Photo</p> <p>Available</p>
<p>493</p> <p>ZOV0352773</p> <p>Name : Mustaq Shaikh Fathers Name: Hussain Shaikh House Number : 11/24 Age : 31 Gender : Male</p> <p>Photo</p> <p>Available</p>	<p>494</p> <p>ZOV0365742</p> <p>Name : Fatima Shaikh Fathers Name: Hussainsab Shaikh House Number : 11/24 Age : 27 Gender : Female</p> <p>Photo</p> <p>Available</p>	<p>495</p> <p>ZOV0367136</p> <p>Name : Mansur Shaikh Fathers Name: Husainsab Shaikh House Number : 11/24 Age : 26 Gender : Male</p> <p>Photo</p> <p>Available</p>
<p>496</p> <p>ZOV0431338</p> <p>Name : Appalal Husenasab Langoti Fathers Name: Husenasab Langoti House Number : 11/25 Age : 67 Gender : Male</p> <p>Photo</p> <p>Available</p>	<p>497</p> <p>ZOV0431346</p> <p>Name : Mamtaz Appalal Langoti Husbands Name: Appalal Langoti House Number : 11/25 Age : 56 Gender : Female</p> <p>Photo</p> <p>Available</p>	<p>498</p> <p>ZOV0400176</p> <p>Name : Mumtazbi Muzawar Fathers Name: Haidarsab Muzawar House Number : 11/25 Age : 48 Gender : Female</p> <p>Photo</p> <p>Available</p>
<p>S 499</p> <p>MXY1376979</p> <p>Name : Ismail Shapur Fathers Name: Hasansab Shapur House Number : 11/26 Age : 55 Gender : Male</p> <p>Photo</p> <p>Available</p>	<p>S 500</p> <p>MXY1362680</p> <p>Name : Shamsad Shapur Husbands Name: Ismail Shapur House Number : 11/26 Age : 50 Gender : Female</p> <p>Photo</p> <p>Available</p>	<p>S 501</p> <p>ZOV0284430</p> <p>Name : Ashpak Sahapur Fathers Name: Ismail Sahapuri House Number : 11/26 Age : 38 Gender : Male</p> <p>Photo</p> <p>Available</p>
<p>S 502</p> <p>MXY1362698</p> <p>Name : Najima Shapur Fathers Name: Ismail Shapur House Number : 11/26 Age : 38 Gender : Female</p> <p>Photo</p> <p>Available</p>	<p>S 503</p> <p>ZOV0303743</p> <p>Name : Farzana Shapur Fathers Name: Ismail Shapur House Number : 11/26 Age : 34 Gender : Female</p> <p>Photo</p> <p>Available</p>	<p>S 504</p> <p>ZOV0290445</p> <p>Name : Malikjan Shapur Fathers Name: Ismail Shapur House Number : 11/26 Age : 32 Gender : Male</p> <p>Photo</p> <p>Available</p>
<p>S 505</p> <p>MXY1369198</p> <p>Name : Riyaz Hanur Fathers Name: Hazrat A Hanur House Number : 11/27 Age : 48 Gender : Male</p> <p>Photo</p> <p>Available</p>	<p>S 506</p> <p>MXY1369057</p> <p>Name : Ismail Hanur Fathers Name: Hazrat A Hanur House Number : 11/27 Age : 45 Gender : Male</p> <p>Photo</p> <p>Available</p>	<p>507</p> <p>MXY1369743</p> <p>Name : Allauddin Aaldi Fathers Name: Mohamad Anif Aaldi House Number : 11/28 Age : 55 Gender : Male</p> <p>Photo</p> <p>Available</p>
<p>508</p> <p>MXY1369875</p> <p>Name : NAFISA ALLAUDDIN ALDI Husbands Name: Allauddin Aaldi House Number : 11/28 Age : 48 Gender : Female</p> <p>Photo</p> <p>Available</p>	<p>S 509</p> <p>MXY1352749</p> <p>Name : Denjappa Rathod Fathers Name: Shuappa Rathod House Number : 11/29 Age : 47 Gender : Male</p> <p>Photo</p> <p>Available</p>	<p>S 510</p> <p>MXY1350941</p> <p>Name : Mirabi Rathod Husbands Name: Jinnalar Rathod House Number : 11/29/a Age : 50 Gender : Female</p> <p>Photo</p> <p>Available</p>

<p>S 511</p> <p>MX Y1356328</p> <p>Name : Yamnoor Shaikh Fathers Name: Alauddin Shaikh House Number : 11/29/b Age : 51 Gender : Male</p> <p>Photo Available</p>	<p>S 512</p> <p>MX Y1352772</p> <p>Name : Chitrapa Pawar Fathers Name: Bhimappa Pawar House Number : 11/29/b Age : 50 Gender : Male</p> <p>Photo Available</p>	<p>S 513</p> <p>MX Y1351923</p> <p>Name : Jainabi Shaikh Husbands Name: Yamnoor Shaikh House Number : 11/29/b Age : 45 Gender : Female</p> <p>Photo Available</p>
<p>S 514</p> <p>MX Y1350958</p> <p>Name : Shila Pawar Husbands Name: Chitrapa Pawar House Number : 11/29/b Age : 45 Gender : Female</p> <p>Photo Available</p>	<p>S 515</p> <p>MX Y1379783</p> <p>Name : Gaus Bhagewadi Fathers Name: Jaijaisab Bhagewadi House Number : 11/30 Age : 48 Gender : Male</p> <p>Photo Available</p>	<p>516</p> <p>MX Y7760994</p> <p>Name : Yasin Sakali Fathers Name: Abdul Rehaman Sakali House Number : 11/30 Age : 48 Gender : Male</p> <p>Photo Available</p>
<p>S 517</p> <p>MX Y1362094</p> <p>Name : Noorjahan Bhagewadi Husbands Name: Gaus Bhagewadi House Number : 11/30 Age : 46 Gender : Female</p> <p>Photo Available</p>	<p>S 518</p> <p>MX Y1363373</p> <p>Name : Yesmin Bhagewadi Husbands Name: Gaus Bhagewadi House Number : 11/30 Age : 43 Gender : Female</p> <p>Photo Available</p>	<p>519</p> <p>MX Y1356609</p> <p>Name : Nazima Sakali Husbands Name: Yasin Sakali House Number : 11/30 Age : 40 Gender : Female</p> <p>Photo Available</p>
<p>S 520</p> <p>ZOV0359802</p> <p>Name : Yasmeen Syed Fathers Name: Yusuf Syed House Number : 11/32 Age : 26 Gender : Female</p> <p>Photo Available</p>	<p>521</p> <p>ZOV0418095</p> <p>Name : Manu Naik Fathers Name: T Yamuna Naik House Number : 11/32 Age : 25 Gender : Male</p> <p>Photo Available</p>	<p>S 522</p> <p>ZOV0385427</p> <p>Name : Sameer Sayed Fathers Name: Yusuf Sayed House Number : 11/32 Age : 24 Gender : Male</p> <p>Photo Available</p>
<p>S 523</p> <p>ZOV0383190</p> <p>Name : Tabassum Havanur Husbands Name: Ismail Havanur House Number : 11/32 Ismail Havanur Age : 36 Gender : Female</p> <p>Photo Available</p>	<p>524</p> <p>MX Y1355882</p> <p>Name : Abdul Shukur Katagi Fathers Name: Rajesab Katagi House Number : 11/33 Age : 56 Gender : Male</p> <p>Photo Available</p>	<p>525</p> <p>MX Y1365287</p> <p>Name : Hazra Bi Katgui Husbands Name: Shukur Katgui House Number : 11/33 Age : 49 Gender : Female</p> <p>Photo Available</p>
<p>526</p> <p>ZOV0380519</p> <p>Name : Zabiulla Mulla Fathers Name: Hazrathali Mulla House Number : 11/33 Age : 47 Gender : Male</p> <p>Photo Available</p>	<p>527</p> <p>ZOV0380527</p> <p>Name : Abida Banu Mulla Husbands Name: Zabiulla Mulla House Number : 11/33 Age : 43 Gender : Female</p> <p>Photo Available</p>	<p>528</p> <p>ZOV0338244</p> <p>Name : Shahtaj Kattagi Fathers Name: Shukur Kattagi House Number : 11/33 Age : 29 Gender : Female</p> <p>Photo Available</p>
<p>529</p> <p>ZOV0346965</p> <p>Name : Mohammad Ayub Katagi Fathers Name: Shukarsab Katagi House Number : 11/33 Age : 27 Gender : Male</p> <p>Photo Available</p>	<p>530</p> <p>ZOV0379404</p> <p>Name : Simran Banu Katagi Fathers Name: Shukur sab Katagi House Number : 11/33 Age : 24 Gender : Female</p> <p>Photo Available</p>	<p>531</p> <p>ZOV0420596</p> <p>Name : Ayishasiddqa Katgi Fathers Name: Abdul Shukur Katgi House Number : 11/33 Age : 23 Gender : Female</p> <p>Photo Available</p>
<p>532</p> <p>ZOV0435693</p> <p>Name : AYAZ KATAGI Fathers Name: ABDUL SHUKUR House Number : 11/33 Age : 21 Gender : Male</p> <p>Photo Available</p>	<p>533</p> <p>ZOV0238162</p> <p>Name : Mahamad Shafi Rattihalli Fathers Name: Abdul Rehman Sab Rattihalli House Number : 11/35 Age : 63 Gender : Male</p> <p>Photo Available</p>	<p>534</p> <p>ZOV0238741</p> <p>Name : Hamida Banu Rattihalli Husbands Name: Mahamad Shafi Rattihalli House Number : 11/35 Age : 53 Gender : Female</p> <p>Photo Available</p>
<p>535</p> <p>ZOV0238733</p> <p>Name : Amreen Banu Rattihalli Fathers Name: Mahamad Rattihalli House Number : 11/35 Age : 35 Gender : Female</p> <p>Photo Available</p>	<p>536</p> <p>ZOV0320424</p> <p>Name : Nazrinbanu Rattihalli Fathers Name: Mahamad Shafi Rattihalli House Number : 11/35 Age : 30 Gender : Female</p> <p>Photo Available</p>	<p>537</p> <p>ZOV0331868</p> <p>Name : Rihana Herekar Husbands Name: Bashir Herekar House Number : 11/B Age : 41 Gender : Female</p> <p>Photo Available</p>
<p>538</p> <p>ZOV0285908</p> <p>Name : Aminabi Nadaf Husbands Name: Gokursab Nadaf House Number : 12 Age : 70 Gender : Female</p> <p>Photo Available</p>	<p>539</p> <p>ZOV0285916</p> <p>Name : Lalsab Nadaf Fathers Name: Gokursab Nadaf House Number : 12 Age : 45 Gender : Male</p> <p>Photo Available</p>	<p>540</p> <p>MX Y0945287</p> <p>Name : Ramzan Nadaf Fathers Name: Gokulsab Nadaf House Number : 12 Age : 43 Gender : Male</p> <p>Photo Available</p>

<p>541</p> <p>MXV1381219</p> <p>Name : Sameera Nadaf Fathers Name: Gokursab Nadaf House Number : 12 Age : 39 Gender : Female</p> <p>Photo Available</p>	<p>542</p> <p>ZOV0267385</p> <p>Name : Hussain Bi Nadaf Fathers Name: Gofursab Nadaf House Number : 12 Age : 39 Gender : Female</p> <p>Photo Available</p>	<p>543</p> <p>ZOV0363044</p> <p>Name : Shainaj Nadaf Husbands Name: Lalisab Nadaf House Number : 12 Age : 35 Gender : Female</p> <p>Photo Available</p>
<p>544</p> <p>ZOV0348250</p> <p>Name : Shehnaaz Begum Fathers Name: Fakir Saheb Nadaf House Number : 12 Age : 30 Gender : Female</p> <p>Photo Available</p>	<p>545</p> <p>ZOV0290452</p> <p>Name : ARTI SAVANT Husbands Name: PRADEEP SAVANT House Number : 12/1 Age : 34 Gender : Female</p> <p>Photo Available</p>	<p>546</p> <p>MXV7742695</p> <p>Name : Balawa Jutapanvar Husbands Name: Laxman Jutapanvar House Number : 12/2 Age : 83 Gender : Female</p> <p>Photo Available</p>
<p>547</p> <p>MXV7743461</p> <p>Name : Irappa Jutapanvar Fathers Name: Laxman Jutapanvar House Number : 12/2 Age : 58 Gender : Male</p> <p>Photo Available</p>	<p>S 548</p> <p>MXV1364264</p> <p>Name : Mohidin Mulla Fathers Name: Nazir Mulla House Number : 12/3 Age : 48 Gender : Male</p> <p>Photo Available</p>	<p>S 549</p> <p>MXV1356278</p> <p>Name : Mohamadali Mulla Fathers Name: Nazir Mulla House Number : 12/3 Age : 45 Gender : Male</p> <p>Photo Available</p>
<p>S 550</p> <p>MXV1364082</p> <p>Name : Javed Horalkatti Fathers Name: Rehman Horalkatti House Number : 12/3 Age : 45 Gender : Male</p> <p>Photo Available</p>	<p>S 551</p> <p>MXV1364256</p> <p>Name : Arjadkhan Horalkatti Fathers Name: Rehman Horalkatti House Number : 12/3 Age : 42 Gender : Male</p> <p>Photo Available</p>	<p>552</p> <p>MXV1364199</p> <p>Name : Salim Lahalmi Fathers Name: Mohamad Ali Lahalmi House Number : 12/3 Age : 41 Gender : Male</p> <p>Photo Available</p>
<p>553</p> <p>MXV1356419</p> <p>Name : Iqbal Mulla Fathers Name: Nazirsab Mulla House Number : 12/3 Age : 40 Gender : Male</p> <p>Photo Available</p>	<p>554</p> <p>ZOV0068676</p> <p>Name : Tarana Halgi Fathers Name: Mohamad Halgi House Number : 12/10 Age : 42 Gender : Female</p> <p>Photo Available</p>	<p>555</p> <p>ZOV0267658</p> <p>Name : Mahammad Shafi Halsi Fathers Name: Mohamad Halsi House Number : 12/10 Age : 42 Gender : Male</p> <p>Photo Available</p>
<p>556</p> <p>MXV1325646</p> <p>Name : Naziya Halsi Husbands Name: Mahamad Shafi Halsi House Number : 12/10 Age : 37 Gender : Female</p> <p>Photo Available</p>	<p>557</p> <p>ZOV0335521</p> <p>Name : Aarti Pal Husbands Name: Subhash Pal House Number : 12/10 Age : 36 Gender : Female</p> <p>Photo Available</p>	<p>558</p> <p>ZOV0335703</p> <p>Name : Roshma Halashi Husbands Name: Sanavalla Halashi House Number : 12/10 Age : 36 Gender : Female</p> <p>Photo Available</p>
<p>559</p> <p>ZOV0373597</p> <p>Name : Mohamad Sobab Halasi Fathers Name: Mahmud Haneeph Halasi House Number : 12/10 Age : 34 Gender : Male</p> <p>Photo Available</p>	<p>560</p> <p>ZOV0328625</p> <p>Name : Nanhe Pal Fathers Name: Ramasanehi Pal House Number : 12/11 Age : 54 Gender : Male</p> <p>Photo Available</p>	<p>561</p> <p>MXV0968420</p> <p>Name : Shanti Pal Husbands Name: Nanhe Pal House Number : 12/11 Age : 46 Gender : Female</p> <p>Photo Available</p>
<p>562</p> <p>MXV0968206</p> <p>Name : Subhash Pal Fathers Name: Ramhanehi Pal House Number : 12/11 Age : 43 Gender : Male</p> <p>Photo Available</p>	<p>563</p> <p>ZOV0385393</p> <p>Name : Mohammed Akram Halasi Fathers Name: Mahmud Haneeph Halasi House Number : 12/11 Age : 36 Gender : Male</p> <p>Photo Available</p>	<p>564</p> <p>ZOV0400788</p> <p>Name : Avakka Khilargi Husbands Name: Lagappa Khilargi House Number : 12/12 Age : 70 Gender : Female</p> <p>Photo Available</p>
<p>565</p> <p>ZOV0362970</p> <p>Name : Lagmappa Naik Fathers Name: Basappa Naik House Number : 12/12 Age : 44 Gender : Male</p> <p>Photo Available</p>	<p>566</p> <p>MXV7742778</p> <p>Name : Nagappa Khilargi Fathers Name: Lagappa Khilargi House Number : 12/12 Age : 43 Gender : Male</p> <p>Photo Available</p>	<p>567</p> <p>MXV1355619</p> <p>Name : Parshuram Khilargi Fathers Name: Lagappa Khilargi House Number : 12/12 Age : 38 Gender : Male</p> <p>Photo Available</p>
<p>568</p> <p>MXV1363787</p> <p>Name : Laxmi Khilargi Husbands Name: Parshuram Khilargi House Number : 12/12 Age : 38 Gender : Female</p> <p>Photo Available</p>	<p>569</p> <p>MXV1376417</p> <p>Name : Sumitra Khilargi Husbands Name: Nagappa Khilargi House Number : 12/12 Age : 38 Gender : Female</p> <p>Photo Available</p>	<p>570</p> <p>ZOV0366278</p> <p>Name : Sangeeta Naik Husbands Name: Lagamppa Naik House Number : 12/12 Age : 33 Gender : Female</p> <p>Photo Available</p>

<p>571</p> <p>ZOV0456558</p> <p>Name : KAJAL KHILARGI Fathers Name: NAGAPPA KHILARGI House Number : 12/12 Age : 19 Gender : Female</p> <p>Photo</p> <p>Available</p>	<p>572</p> <p>ZOV0199950</p> <p>Name : Renuka Hadimani Husbands Name: Vasant Hadimani House Number : 12/15 Age : 62 Gender : Female</p> <p>Photo</p> <p>Available</p>	<p>573</p> <p>ZOV0367144</p> <p>Name : Umesh Hadimani Fathers Name: Vasant Hadimani House Number : 12/15 Age : 30 Gender : Male</p> <p>Photo</p> <p>Available</p>
<p>574</p> <p>ZOV0426304</p> <p>Name : Chandrika Hadimani Husbands Name: Umesh Hadimani House Number : 12/15 Age : 25 Gender : Female</p> <p>Photo</p> <p>Available</p>	<p>575</p> <p>MXY1354414</p> <p>Name : Sharifa Kambargini Husbands Name: Rajasab Kambargini House Number : 12/19 Age : 63 Gender : Female</p> <p>Photo</p> <p>Available</p>	<p>576</p> <p>MXY1354430</p> <p>Name : Fatima Kambargini Fathers Name: Rajasab Kambargini House Number : 12/19 Age : 39 Gender : Female</p> <p>Photo</p> <p>Available</p>
<p>577</p> <p>ZOV0300939</p> <p>Name : Faiyaz Kambargani Fathers Name: Rajasab Kambargani House Number : 12/19 Age : 33 Gender : Male</p> <p>Photo</p> <p>Available</p>	<p>578</p> <p>MXY1325679</p> <p>Name : Asha Gulli Husbands Name: Basappa Gulli House Number : 12/21 Age : 40 Gender : Female</p> <p>Photo</p> <p>Available</p>	<p>579</p> <p>MXY1325653</p> <p>Name : Yalavva Gulli Fathers Name: Tanamma Gulli House Number : 12/21 Age : 38 Gender : Female</p> <p>Photo</p> <p>Available</p>
<p>580</p> <p>ZOV0356931</p> <p>Name : Sunil Gulli Fathers Name: Basappa Gulli House Number : 12/21 Age : 26 Gender : Male</p> <p>Photo</p> <p>Available</p>	<p>581</p> <p>ZOV0204255</p> <p>Name : Tarabai More Husbands Name: Shrikant More House Number : 12/22 Age : 70 Gender : Female</p> <p>Photo</p> <p>Available</p>	<p>582</p> <p>ZOV0321877</p> <p>Name : Megha More Fathers Name: Mahendra More House Number : 12/22 Age : 29 Gender : Female</p> <p>Photo</p> <p>Available</p>
<p>583</p> <p>ZOV0380121</p> <p>Name : Madhusudhan More Fathers Name: Mahendra More House Number : 12/22 Age : 24 Gender : Male</p> <p>Photo</p> <p>Available</p>	<p>584</p> <p>MXY0966366</p> <p>Name : Maruti Naik Fathers Name: Irappa Naik House Number : 12/25 Age : 72 Gender : Male</p> <p>Photo</p> <p>Available</p>	<p>585</p> <p>ZOV0400770</p> <p>Name : Lauavva Naik Husbands Name: Maruti Naik House Number : 12/25 Age : 55 Gender : Female</p> <p>Photo</p> <p>Available</p>
<p>586</p> <p>MXY0967190</p> <p>Name : Gangava Kamble Husbands Name: Satish Kamble House Number : 12/25 Age : 50 Gender : Female</p> <p>Photo</p> <p>Available</p>	<p>587</p> <p>MXY9308396</p> <p>Name : Manoj Naik Fathers Name: Maruti Naik House Number : 12/25 Age : 40 Gender : Male</p> <p>Photo</p> <p>Available</p>	<p>588</p> <p>ZOV0337196</p> <p>Name : Bangarevva Naik Husbands Name: Manoj Naik House Number : 12/25 Age : 34 Gender : Female</p> <p>Photo</p> <p>Available</p>
<p>589</p> <p>ZOV0300954</p> <p>Name : Vaishali Naik Fathers Name: Maruti Naik House Number : 12/25 Age : 31 Gender : Female</p> <p>Photo</p> <p>Available</p>	<p>590</p> <p>ZOV0337493</p> <p>Name : Deepak Kamble Fathers Name: Satish Kamble House Number : 12/25 Age : 30 Gender : Male</p> <p>Photo</p> <p>Available</p>	<p>591</p> <p>ZOV0320325</p> <p>Name : Usha Naik Fathers Name: Maruti Naik House Number : 12/25 Age : 30 Gender : Female</p> <p>Photo</p> <p>Available</p>
<p>592</p> <p>ZOV0386797</p> <p>Name : Akash Kamble Fathers Name: Satish Kamble House Number : 12/25 Age : 27 Gender : Male</p> <p>Photo</p> <p>Available</p>	<p>593</p> <p>MXY0966838</p> <p>Name : Bibijan Beedi Husbands Name: Rehman Beedi House Number : 12/26 Age : 63 Gender : Female</p> <p>Photo</p> <p>Available</p>	<p>594</p> <p>ZOV0337246</p> <p>Name : Sadik Beedi Fathers Name: Rehman Beedi House Number : 12/26 Age : 41 Gender : Male</p> <p>Photo</p> <p>Available</p>
<p>595</p> <p>MXY1377266</p> <p>Name : Jabin Beedi Husbands Name: Sadik Beedi House Number : 12/26 Age : 39 Gender : Female</p> <p>Photo</p> <p>Available</p>	<p>596</p> <p>ZOV0443200</p> <p>Name : Samir Salim Sheikh Fathers Name: Salim Sheikh House Number : 12/26/A Age : 26 Gender : Male</p> <p>Photo</p> <p>Available</p>	<p>597</p> <p>ZOV0416958</p> <p>Name : Karishma Shaikh Others: Bibijan Bedi House Number : 12/26/A Age : 24 Gender : Male</p> <p>Photo</p> <p>Available</p>
<p>598</p> <p>ZOV0400754</p> <p>Name : Laxmi Chachadi Husbands Name: Ningappa Chachadi House Number : 12/27 Age : 82 Gender : Female</p> <p>Photo</p> <p>Available</p>	<p>599</p> <p>ZOV0062398</p> <p>Name : Yellappa Hangirgekar Fathers Name: Shankar Hangirgekar House Number : 12/28 Age : 56 Gender : Male</p> <p>Photo</p> <p>Available</p>	<p>600</p> <p>ZOV0062406</p> <p>Name : Shobha Hangirgekar Husbands Name: Yellappa Hangirgekar House Number : 12/28 Age : 51 Gender : Female</p> <p>Photo</p> <p>Available</p>

<p>601</p> <p>ZOV0400747</p> <p>Name : Shivmurthy Angadi Fathers Name: Chandrappa Angadi House Number : 12/28 Age : 48 Gender : Male</p> <p>Photo Available</p>	<p>602</p> <p>MXY0966762</p> <p>Name : Mahadev Angadi Fathers Name: Chandrappa Angadi House Number : 12/28 Age : 44 Gender : Male</p> <p>Photo Available</p>	<p>603</p> <p>MXY1367432</p> <p>Name : Shivanand Angadi Fathers Name: Chandrappa Angadi House Number : 12/28 Age : 40 Gender : Male</p> <p>Photo Available</p>
<p>604</p> <p>ZOV0419853</p> <p>Name : Vidhya Angadi Husbands Name: Shivmurti Angadi House Number : 12/28 Age : 38 Gender : Female</p> <p>Photo Available</p>	<p>605</p> <p>ZOV0334581</p> <p>Name : Suraj Hangirgekar Fathers Name: Yallappa Hangirgekar House Number : 12/28 Age : 29 Gender : Male</p> <p>Photo Available</p>	<p>606</p> <p>ZOV0359786</p> <p>Name : Mahesh Angadi Fathers Name: Shankar Angadi House Number : 12/28 Age : 27 Gender : Male</p> <p>Photo Available</p>
<p>607</p> <p>ZOV0422618</p> <p>Name : Vikas Angadi Fathers Name: Shankar Angadi House Number : 12/28 Age : 23 Gender : Male</p> <p>Photo Available</p>	<p>608</p> <p>MXY7742760</p> <p>Name : rafique Kambargani Fathers Name: Rajasab Kambargini House Number : 12/29 Age : 42 Gender : Male</p> <p>Photo Available</p>	<p>609</p> <p>ZOV0400721</p> <p>Name : Shantabai Devkule Husbands Name: Dhanu Devkule House Number : 12/30 Age : 77 Gender : Female</p> <p>Photo Available</p>
<p>610</p> <p>ZOV0400739</p> <p>Name : Renuka Angadi Husbands Name: Shankar Angadi House Number : 12/30 Age : 49 Gender : Female</p> <p>Photo Available</p>	<p>611</p> <p>ZOV0266650</p> <p>Name : Sunita Angadi Fathers Name: Shankar Angadi House Number : 12/30 Age : 33 Gender : Female</p> <p>Photo Available</p>	<p>612</p> <p>ZOV0334524</p> <p>Name : Sushma Angadi Fathers Name: Shankar Angadi House Number : 12/30 Age : 28 Gender : Female</p> <p>Photo Available</p>
<p>613</p> <p>MXY0966788</p> <p>Name : Raju Denge Fathers Name: Narayan Denge House Number : 12/31 Age : 59 Gender : Male</p> <p>Photo Available</p>	<p>614</p> <p>ZOV0400713</p> <p>Name : Rekha Denge Husbands Name: Raju Denge House Number : 12/31 Age : 50 Gender : Female</p> <p>Photo Available</p>	<p>615</p> <p>ZOV0339333</p> <p>Name : Darshan Denge Fathers Name: Raju Denge House Number : 12/31 Age : 28 Gender : Male</p> <p>Photo Available</p>
<p>616</p> <p>ZOV0419341</p> <p>Name : Priyanka Denge Fathers Name: Raju Denge House Number : 12/31 Age : 26 Gender : Female</p> <p>Photo Available</p>	<p>617</p> <p>ZOV0068437</p> <p>Name : Saleenbi Patil Husbands Name: Maqboolsab Patil House Number : 12/32 Age : 70 Gender : Female</p> <p>Photo Available</p>	<p>618</p> <p>ZOV0238006</p> <p>Name : Hussain Nadaf Fathers Name: Dastgir Sab Nadaf House Number : 12/32 Age : 48 Gender : Male</p> <p>Photo Available</p>
<p>619</p> <p>ZOV0357822</p> <p>Name : Mumtaz Nadaf Husbands Name: Husen Nadaf House Number : 12/32 Age : 38 Gender : Female</p> <p>Photo Available</p>	<p>620</p> <p>ZOV0418079</p> <p>Name : Baasu Naik Fathers Name: Yamana Naik House Number : 12/32 Age : 24 Gender : Male</p> <p>Photo Available</p>	<p>621</p> <p>MXY1354976</p> <p>Name : Mehaboobi Nadaf Husbands Name: Ismailsab Nadaf House Number : 12/33 Age : 76 Gender : Female</p> <p>Photo Available</p>
<p>622</p> <p>MXY0000901</p> <p>Name : Akbar Nadaf Fathers Name: Imamsab Nadaf House Number : 12/33 Age : 75 Gender : Male</p> <p>Photo Available</p>	<p>623</p> <p>ZOV0400697</p> <p>Name : Dishad Nadaf Husbands Name: Akbar Nadaf House Number : 12/33 Age : 72 Gender : Female</p> <p>Photo Available</p>	<p>624</p> <p>MXY9308420</p> <p>Name : Nusrat Nadaf Fathers Name: Akbar Nadaf House Number : 12/33 Age : 45 Gender : Female</p> <p>Photo Available</p>
<p>625</p> <p>MXY1356781</p> <p>Name : Ailsab Nadaf Fathers Name: Ismailsab Nadaf House Number : 12/33 Age : 44 Gender : Male</p> <p>Photo Available</p>	<p>626</p> <p>MXY1354307</p> <p>Name : Kutubuddin Nadaf Fathers Name: Akbar Nadaf House Number : 12/33 Age : 40 Gender : Male</p> <p>Photo Available</p>	<p>627</p> <p>MXY1355643</p> <p>Name : Altaf Nadaf Fathers Name: Akbar Nadaf House Number : 12/33 Age : 38 Gender : Male</p> <p>Photo Available</p>
<p>628</p> <p>ZOV0334573</p> <p>Name : Mehaboob Nadaf Fathers Name: Akbar Nadaf House Number : 12/33 Age : 33 Gender : Male</p> <p>Photo Available</p>	<p>629</p> <p>ZOV0400689</p> <p>Name : Basappa Ghorpade Fathers Name: Nagappa Ghorpade House Number : 12/34 Age : 81 Gender : Male</p> <p>Photo Available</p>	<p>630</p> <p>MXY0967240</p> <p>Name : Shekar Naikar Fathers Name: Ramappa Naikar House Number : 12/34 Age : 56 Gender : Male</p> <p>Photo Available</p>

<p>631</p> <p>ZOV0400671</p> <p>Name : Shevanta Naikar Husbands Name: Shekhar Naikar House Number : 12/34 Age : 49 Gender : Female</p> <p>Photo</p> <p>Available</p>	<p>632</p> <p>ZOV0303727</p> <p>Name : Akash Ghorpade Fathers Name: Shekhar Ghorpade House Number : 12/34 Age : 32 Gender : Male</p> <p>Photo</p> <p>Available</p>	<p>633</p> <p>ZOV0400655</p> <p>Name : Jacinta Mascarenhas Husbands Name: Piedade Mascarenhas House Number : 12/35 Age : 72 Gender : Female</p> <p>Photo</p> <p>Available</p>
<p>634</p> <p>ZOV0067850</p> <p>Name : Matias Barreto Husbands Name: Conceicao Barreto House Number : 12/35 Age : 55 Gender : Female</p> <p>Photo</p> <p>Available</p>	<p>635</p> <p>ZOV0400663</p> <p>Name : Conceicao Barreto Fathers Name: Piedade Barreto House Number : 12/35 Age : 53 Gender : Male</p> <p>Photo</p> <p>Available</p>	<p>636</p> <p>MXY1358324</p> <p>Name : Samiulla Khan Fathers Name: Mohamad Khan House Number : 12/36 Age : 50 Gender : Male</p> <p>Photo</p> <p>Available</p>
<p>637</p> <p>MXY9308552</p> <p>Name : Maharun Bi Khan Husbands Name: Samiulla Khan House Number : 12/36 Age : 44 Gender : Female</p> <p>Photo</p> <p>Available</p>	<p>638</p> <p>MXY0968412</p> <p>Name : Asma Shaikh Husbands Name: Dadapir Shaikh House Number : 12/36 Age : 38 Gender : Female</p> <p>Photo</p> <p>Available</p>	<p>639</p> <p>ZOV0335729</p> <p>Name : Parvin Banu Tashildar Husbands Name: Asif Tashildar House Number : 12/36 Age : 38 Gender : Female</p> <p>Photo</p> <p>Available</p>
<p>640</p> <p>ZOV0441634</p> <p>Name : YASMEEN ADVADKAR Husbands Name: ALLAUDDIN ADVADKAR House Number : 12/36 Age : 36 Gender : Female</p> <p>Photo</p> <p>Available</p>	<p>641</p> <p>ZOV0368605</p> <p>Name : Sharifa Khan Fathers Name: Mahmmad Khan House Number : 12/36 Age : 25 Gender : Female</p> <p>Photo</p> <p>Available</p>	<p>642</p> <p>ZOV0431411</p> <p>Name : Malin Khan Fathers Name: Samiulla Khan House Number : 12/36 Age : 21 Gender : Male</p> <p>Photo</p> <p>Available</p>
<p>643</p> <p>MXY1325737</p> <p>Name : Chandbi Shaikh Fathers Name: Dasgirsab Shaikh House Number : 12/36/a Age : 70 Gender : Female</p> <p>Photo</p> <p>Available</p>	<p>644</p> <p>MXY1352046</p> <p>Name : Rafik Shaikh Fathers Name: Hussain Shaikh House Number : 12/36/a Age : 65 Gender : Male</p> <p>Photo</p> <p>Available</p>	<p>645</p> <p>MXY1325786</p> <p>Name : Bibijan Shaikh Husbands Name: Rafik Shaikh House Number : 12/36/a Age : 55 Gender : Female</p> <p>Photo</p> <p>Available</p>
<p>646</p> <p>MXY1374487</p> <p>Name : Babyjan Shaikh Fathers Name: Kasimsab Shaikh House Number : 12/36/a Age : 44 Gender : Female</p> <p>Photo</p> <p>Available</p>	<p>647</p> <p>MXY1351543</p> <p>Name : Modinsab Shaikh Fathers Name: Rafik Shaikh House Number : 12/36/a Age : 38 Gender : Male</p> <p>Photo</p> <p>Available</p>	<p>648</p> <p>MXY1349489</p> <p>Name : Mumtaz Walkar Husbands Name: Abdul Gafar Walkar House Number : 12/38/a Age : 55 Gender : Female</p> <p>Photo</p> <p>Available</p>
<p>649</p> <p>ZOV0287797</p> <p>Name : Mehaboob Subhani Atar Fathers Name: Sapura Atar House Number : 12/38/A Age : 36 Gender : Male</p> <p>Photo</p> <p>Available</p>	<p>650</p> <p>ZOV0414789</p> <p>Name : Akshay Naikar Fathers Name: Shekhar Naikar House Number : 12/39 Age : 26 Gender : Male</p> <p>Photo</p> <p>Available</p>	<p>651</p> <p>MXY1324565</p> <p>Name : Ramesh Lamani Fathers Name: Venkayya Lamani House Number : 12/40 Age : 50 Gender : Male</p> <p>Photo</p> <p>Available</p>
<p>652</p> <p>MXY1325505</p> <p>Name : Seeta Ramesh Chawan Husbands Name: Ramesh Lamani House Number : 12/40 Age : 45 Gender : Female</p> <p>Photo</p> <p>Available</p>	<p>653</p> <p>ZOV0431403</p> <p>Name : Ajay Chawan Fathers Name: Ramesh Chawan House Number : 12/40 Age : 21 Gender : Male</p> <p>Photo</p> <p>Available</p>	<p>654</p> <p>MXY0966747</p> <p>Name : Meheubi Karji Husbands Name: Sattarsab Karji House Number : 12/41 Age : 67 Gender : Female</p> <p>Photo</p> <p>Available</p>
<p>655</p> <p>MXY1354398</p> <p>Name : Shabina Tahasildar Husbands Name: Bashasab Tahasildar House Number : 12/41 Age : 50 Gender : Female</p> <p>Photo</p> <p>Available</p>	<p>656</p> <p>ZOV0064048</p> <p>Name : Anwar Karji Fathers Name: Sattarsab Karji House Number : 12/41 Age : 48 Gender : Male</p> <p>Photo</p> <p>Available</p>	<p>657</p> <p>MXY1357797</p> <p>Name : Mahamad Karji Fathers Name: Sattarsab Karji House Number : 12/41 Age : 41 Gender : Male</p> <p>Photo</p> <p>Available</p>
<p>658</p> <p>MXY1352012</p> <p>Name : Fatima Karji Fathers Name: Sattarsab Karji House Number : 12/41 Age : 40 Gender : Female</p> <p>Photo</p> <p>Available</p>	<p>659</p> <p>MXY1321850</p> <p>Name : Dadapir Karji Fathers Name: Sattarsab Karji House Number : 12/41 Age : 38 Gender : Male</p> <p>Photo</p> <p>Available</p>	<p>660</p> <p>JMQ2210706</p> <p>Name : Sajeda Karji Husbands Name: Anwar Karji House Number : 12/41 Age : 37 Gender : Female</p> <p>Photo</p> <p>Available</p>

<p>661</p> <p>ZOV0323089</p> <p>Name : Khajasab Tahashildar Fathers Name: Bashasab Tahashildar House Number : 12/41 Age : 29 Gender : Male</p> <p>Photo</p> <p>Available</p>	<p>662</p> <p>ZOV0371021</p> <p>Name : Khajasab Tahashildar Fathers Name: Bashasab Tahashildar House Number : 12/41 Age : 29 Gender : Male</p> <p>Photo</p> <p>Available</p>	<p>663</p> <p>ZOV0368274</p> <p>Name : Saddam Tahshildar Fathers Name: Basha Tahshildar House Number : 12/41 Age : 28 Gender : Male</p> <p>Photo</p> <p>Available</p>
<p>664</p> <p>ZOV0368142</p> <p>Name : Mabobi Tasildar Fathers Name: Bashasab Tasildar House Number : 12/41 Age : 26 Gender : Male</p> <p>Photo</p> <p>Available</p>	<p>665</p> <p>ZOV0367599</p> <p>Name : Nazima Shaffi Sayyed Fathers Name: Kasimsab Ballari House Number : 13/1 Age : 34 Gender : Female</p> <p>Photo</p> <p>Available</p>	<p>666</p> <p>ZOV0374231</p> <p>Name : BABAL ALI PATHAN Fathers Name: MAGBUL PATHAN House Number : 13/1 Age : 25 Gender : Male</p> <p>Photo</p> <p>Available</p>
<p>667</p> <p>ZOV0374249</p> <p>Name : MULLA ABDUL KARIM MUJAWAR Fathers Name: MULLA MOHAMMAD RAFIK MUJAWAR House Number : 16 Age : 25 Gender : Male</p> <p>Photo</p> <p>Available</p>	<p>668</p> <p>ZOV0238113</p> <p>Name : Pramod Sharma Fathers Name: Ramsavane Sharma House Number : 17 Age : 52 Gender : Male</p> <p>Photo</p> <p>Available</p>	<p>669</p> <p>ZOV0238063</p> <p>Name : Vahid Shaikh Fathers Name: Abdul Gafar Shaikh House Number : 17-E Age : 61 Gender : Male</p> <p>Photo</p> <p>Available</p>
<p>670</p> <p>ZOV0238071</p> <p>Name : Amina Shaikh Fathers Name: Ibrahim Shaikh House Number : 17/E Age : 56 Gender : Female</p> <p>Photo</p> <p>Available</p>	<p>671</p> <p>ZOV0238105</p> <p>Name : Ekbal Shaikh Fathers Name: Vahid Shaikh House Number : 17/E Age : 39 Gender : Male</p> <p>Photo</p> <p>Available</p>	<p>672</p> <p>ZOV0238097</p> <p>Name : Zameer Shaikh Fathers Name: Vahid Shaikh House Number : 17/E Age : 36 Gender : Male</p> <p>Photo</p> <p>Available</p>
<p>673</p> <p>ZOV0337758</p> <p>Name : Almas Shaikh Husbands Name: Ekbal Shaikh House Number : 17/E Age : 35 Gender : Female</p> <p>Photo</p> <p>Available</p>	<p>674</p> <p>ZOV0238089</p> <p>Name : Rubina Inamdar Husbands Name: Taufeeq Inamdar House Number : 17/E Age : 34 Gender : Female</p> <p>Photo</p> <p>Available</p>	<p>675</p> <p>ZOV0331884</p> <p>Name : Najir Shaikh Fathers Name: Vahid Shaikh House Number : 17-E Age : 32 Gender : Male</p> <p>Photo</p> <p>Available</p>
<p>676</p> <p>ZOV0290692</p> <p>Name : Mahamad Arif Rattihalli Fathers Name: Mahamad Shafi Rattihalli House Number : 18 Age : 32 Gender : Male</p> <p>Photo</p> <p>Available</p>	<p>677</p> <p>ZOV0335869</p> <p>Name : Mehbubi Mulla Husbands Name: Basha Mulla House Number : 19/A1 Age : 52 Gender : Female</p> <p>Photo</p> <p>Available</p>	<p>678</p> <p>ZOV0335877</p> <p>Name : Khaikusha Mulla Husbands Name: Khatal Mulla House Number : 19/A1 Age : 49 Gender : Female</p> <p>Photo</p> <p>Available</p>
<p>679</p> <p>ZOV0347807</p> <p>Name : Kalina Mulla Fathers Name: Khatal Mulla House Number : 19/A1 Age : 28 Gender : Female</p> <p>Photo</p> <p>Available</p>	<p>680</p> <p>ZOV0418012</p> <p>Name : Suleman Mulla Fathers Name: Khatal Mulla House Number : 19/A1 Age : 23 Gender : Male</p> <p>Photo</p> <p>Available</p>	<p>681</p> <p>ZOV0260414</p> <p>Name : Abdul Raheman Tashildar Fathers Name: Abdul Karim Tashildar House Number : 20/1 Age : 32 Gender : Male</p> <p>Photo</p> <p>Available</p>
<p>682</p> <p>ZOV0386276</p> <p>Name : Sonali Guli Fathers Name: Basappa Guli House Number : 21/21 Age : 24 Gender : Female</p> <p>Photo</p> <p>Available</p>	<p>683</p> <p>ZOV0431387</p> <p>Name : Rafiq Jamadar Fathers Name: Hussain Jamadar House Number : 22-1 Age : 35 Gender : Male</p> <p>Photo</p> <p>Available</p>	<p>684</p> <p>ZOV0431304</p> <p>Name : Mehek Rehan Mulla Muzawar Husbands Name: Rehan Mulla Muzawar House Number : 26 Age : 24 Gender : Female</p> <p>Photo</p> <p>Available</p>
<p>685</p> <p>MXV9152737</p> <p>Name : Riyaz Mulla Fathers Name: Nazurdin U Mulla House Number : 29 Age : 54 Gender : Male</p> <p>Photo</p> <p>Available</p>	<p>686</p> <p>ZOV0439000</p> <p>Name : Taranoom Ankalewale Husbands Name: Sameer Ankalewale House Number : 31/3/A Age : 26 Gender : Female</p> <p>Photo</p> <p>Available</p>	<p>687</p> <p>ZOV0423152</p> <p>Name : Mahamadsadik Mathekhan Fathers Name: Nazirsab Mathekhan House Number : 31/5/A Age : 25 Gender : Male</p> <p>Photo</p> <p>Available</p>
<p>688</p> <p>ZOV0438150</p> <p>Name : Emad Shaikh Mothers Name: Ramtula Shaikh House Number : 34/1 Age : 22 Gender : Male</p> <p>Photo</p> <p>Available</p>	<p>689</p> <p>ZOV0335547</p> <p>Name : Sunil Kamble Fathers Name: Satish Kamble House Number : 36/R Age : 31 Gender : Male</p> <p>Photo</p> <p>Available</p>	<p>690</p> <p>ZOV0311886</p> <p>Name : Sogara Kambargani Husbands Name: Rafique Kambargani House Number : 36/Uu Age : 32 Gender : Female</p> <p>Photo</p> <p>Available</p>

<p>691</p> <p>ZOV0370395</p> <p>Name : Rasida Khan Husbands Name: Chand Khan House Number : 37 Age : 93 Gender : Female</p> <p>Photo</p> <p>Available</p>	<p>692</p> <p>ZOV0369009</p> <p>Name : Chand Khan Fathers Name: Jhaur Khan House Number : 37 Age : 90 Gender : Male</p> <p>Photo</p> <p>Available</p>	<p>693</p> <p>ZOV0424424</p> <p>Name : Farida Sameer Desai Husbands Name: Sameer Adam Desai House Number : 39 Age : 38 Gender : Female</p> <p>Photo</p> <p>Available</p>
<p>694</p> <p>ZOV0419945</p> <p>Name : Shainaz Mutkappa Fathers Name: Zabi Ullah Mutkappa House Number : 50 Nagzar Age : 25 Gender : Female</p> <p>Photo</p> <p>Available</p>	<p>695</p> <p>ZOV0354837</p> <p>Name : Shabira Bellari Husbands Name: Kassimsab Bellari House Number : 61/2/C Age : 53 Gender : Female</p> <p>Photo</p> <p>Available</p>	<p>696</p> <p>ZOV0334623</p> <p>Name : Ningappa Hegde Fathers Name: Eliappa Hegde House Number : 75 Age : 29 Gender : Male</p> <p>Photo</p> <p>Available</p>
<p>697</p> <p>ZOV0238139</p> <p>Name : Abdul Razak Mulla Muzawar Fathers Name: Mulla Kashim Muzawar House Number : 189 Age : 69 Gender : Male</p> <p>Photo</p> <p>Available</p>	<p>698</p> <p>ZOV0238121</p> <p>Name : Rizwan Mulla Muzawar Fathers Name: Mulla Abdul Razak Muzavor House Number : 189 Age : 35 Gender : Male</p> <p>Photo</p> <p>Available</p>	<p>699</p> <p>ZOV0381541</p> <p>Name : SANA KHATIB Husbands Name: SHAIKH SULEMAN KHATIB House Number : 212 Age : 28 Gender : Female</p> <p>Photo</p> <p>Available</p>
<p>700</p> <p>ZOV0454405</p> <p>Name : MEHFUZ HALSI Fathers Name: MOHMMAD SHAFI HALSI House Number : 1210 Age : 19 Gender : Male</p> <p>Photo</p> <p>Available</p>	<p>S 701</p> <p>ZOV0237891</p> <p>Name : Abdul Khader Bendigiri Fathers Name: Abde Mummer Bendigiri House Number : - Age : 35 Gender : Male</p> <p>Photo</p> <p>Available</p>	<p>702</p> <p>ZOV0357814</p> <p>Name : Nazameenbanu Fathers Name: Mohammed Hussain House Number : F-3 Age : 28 Gender : Female</p> <p>Photo</p> <p>Available</p>
<p>703</p> <p>ZOV0431361</p> <p>Name : Deepthi Naik Fathers Name: Suraj Naik House Number : H.no. 1/A Age : 23 Gender : Female</p> <p>Photo</p> <p>Available</p>	<p>704</p> <p>ZOV0431353</p> <p>Name : Abhi Naik Fathers Name: Suraj Naik House Number : H.No. 1/A Age : 21 Gender : Male</p> <p>Photo</p> <p>Available</p>	<p>705</p> <p>MXY1365279</p> <p>Name : Chandsab Makandar Fathers Name: Nabisab Makandar House Number : H. No. 05 Age : 48 Gender : Male</p> <p>Photo</p> <p>Available</p>
<p>706</p> <p>MXY1365261</p> <p>Name : Shamshad Makandar Husbands Name: Chandsab Makandar House Number : H. No. 05 Age : 41 Gender : Female</p> <p>Photo</p> <p>Available</p>	<p>707</p> <p>ZOV0443507</p> <p>Name : Simran Nurahmad Sakal Mothers Name: Arifabi Sakal House Number : H.No.10 Age : 20 Gender : Female</p> <p>Photo</p> <p>Available</p>	<p>708</p> <p>ZOV0422600</p> <p>Name : Rafiq Tahashildar Fathers Name: Rehamansab Tahashildar House Number : H.no 11 Age : 22 Gender : Male</p> <p>Photo</p> <p>Available</p>
<p>709</p> <p>ZOV0449421</p> <p>Name : NIYAZ AHMED MULLA Fathers Name: ZABIULLA MULLA House Number : H No 11/33 Age : 20 Gender : Male</p> <p>Photo</p> <p>Available</p>	<p>710</p> <p>ZOV0443366</p> <p>Name : Tahesin Samiulla Attar Mothers Name: Tarana Mohamad Halsi House Number : H.No12/10 Nagzari Age : 20 Gender : Female</p> <p>Photo</p> <p>Available</p>	

711	1	ZOV0457176
Name : PRADEEP RUDRAPPA SAVANT Fathers Name: RUDRAPPA SAVANT House Number : H. NO. 12/1 Age : 38 Gender : Male		
Photo Available		

712	1	ZOV0457416
Name : ARATI PAKHARE Husbands Name: SANTOSH PAKHARE House Number : H. No. Age : 24 Gender : Female		
Photo Available		

713	1	ZOV0457457
Name : Fariha Bi Muzawer Fathers Name: Munaf Muzawar Mulla House Number : H.No. 12 Age : 18 Gender : Female		
Photo Available		

714	1	ZOV0457663
Name : ANZIYA MOHAMOD AZIM KORWALE Fathers Name: Mohamad Azim Kotwale House Number : H No.02 Age : 21 Gender : Female		
Photo Available		

715	2	ZOV0457648
Name : MEHAK SHAUKAT SHEIKH Fathers Name: SHAUKAT SHEIKH House Number : H No.11/7 Age : 18 Gender : Female		
Photo Available		

716	1	ZOV0457622
Name : Pooja Parshuram Kilari Fathers Name: Parshuram Kilari House Number : 12/12 Age : 18 Gender : Female		
Photo Available		

717	2	ZOV0457606
Name : MOHMAD KAIF KHAN Mothers Name: MEHRUN SAMIULLA KHAN House Number : H No.12/36 Age : 18 Gender : Male		
Photo Available		

718	1	ZOV0457598
Name : Mohen Samiulla Khan Fathers Name: Samiulla Khan House Number : 12/36 Age : 19 Gender : Male		
Photo Available		

719	2	GGX1191253
Name : Prayagbai Bhanudas Yedke Husbands Name: Bhanudas Yedke House Number : 12/47 NEAR G P S NAGAR CURTI Age : 59 Gender : Female		
Photo Available		

720	1	ZOV0457978
Name : ARMAAN MOHAMAD AZIM KORWALE Fathers Name: Mohamad Azim Korwale House Number : H No 02 Age : 19 Gender : Male		
Photo Available		

721	1	ZOV0458240
Name : Vijay Ramesh Chauhan Fathers Name: Ramesh Chauhan House Number : 12/14 Age : 19 Gender : Male		
Photo Available		

SUMMARY OF ELECTORS							
A) NUMBER OF ELECTORS							
		Roll Type	Roll Identification	NUMBER OF ELECTORS			
				Male	Female	Third Gender	Total
I	Mother Roll	Mother Roll	Basic Roll of Special Summary Revision 2025 published on 29-10-2024 integrated with Additions, Deletions and Modifications carried out during Special Summary Revision 2025.	379	331	0	710
II	1- List of Additions	Supplement 1	Special Summary Revision 2025	5	6	0	11
III	2- List of Deletions	Supplement 1	Special Summary Revision 2025	45	25	0	70
IV	Difference due to modification in Gender field			0	0	0	0
Net Elector in this Roll after this Revision (I+II-III+IV)				339	312	0	651

B) NUMBER OF MODIFICATIONS		
Roll Type	Roll Identification	NUMBER OF MODIFICATIONS
Supplement 1	Special Summary Revision 2025	6

Signature of Electoral Registration Officer

E-Expired S-Shifted/Change of Residence R-Duplicate M-Missing Q-Disqualified