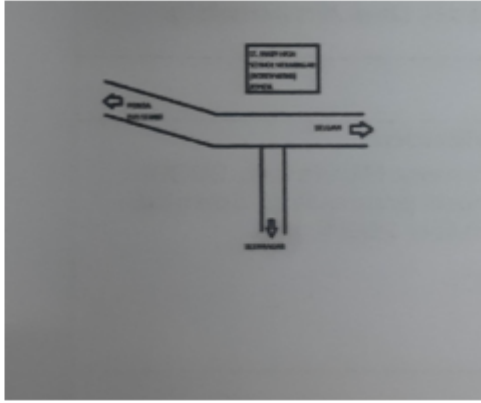


ELECTORAL ROLL 2024 S05 Goa

| | | | | | | | | | | | | | | | | | | | |
|--|-------------------------------|--|---------------|---------------------|--------------|----------------------|---------|-------------|---------|----------------|---------|-------|---------|-------------|---------|----------|-------------|----------|----------|
| No. Name and Reservation Status of Assembly Constituency : 21 - PONDA (GEN) | | | | Part No. : 26 | | | | | | | | | | | | | | | |
| No. Name and Reservation Status of Parliamentary Constituency(ies) in which the Assembly Constituency is located : 2 - SOUTH GOA (GEN) | | | | | | | | | | | | | | | | | | | |
| 1. Details of Revision | | | | | | | | | | | | | | | | | | | |
| Year of Revision | 2024 | Roll Identification Basic Roll of Special Summary Revision 2024 published on 27-10-2023 integrated with Additions, Deletions and Modifications carried out during Special Summary Revision 2024. | | | | | | | | | | | | | | | | | |
| Qualifying Date | 01-01-2024 | | | | | | | | | | | | | | | | | | |
| Type of revision | Special Summary Revision 2024 | | | | | | | | | | | | | | | | | | |
| Date of Updation | 05-01-2024 | | | | | | | | | | | | | | | | | | |
| 2. Details of part and polling area | | | | | | | | | | | | | | | | | | | |
| No. and name of sections in the part | | | | | | | | | | | | | | | | | | | |
| 1-Upper Bazar, Ponda | | <table style="width: 100%; border-collapse: collapse;"> <tr> <td style="width: 60%;">Main Town or Village</td> <td>: PONDA</td> </tr> <tr> <td>Post Office</td> <td>: PONDA</td> </tr> <tr> <td>Police Station</td> <td>: PONDA</td> </tr> <tr> <td>Block</td> <td>: PONDA</td> </tr> <tr> <td>Subdivision</td> <td>: PONDA</td> </tr> <tr> <td>District</td> <td>: SOUTH GOA</td> </tr> <tr> <td>Pin code</td> <td>: 403401</td> </tr> </table> | | | | Main Town or Village | : PONDA | Post Office | : PONDA | Police Station | : PONDA | Block | : PONDA | Subdivision | : PONDA | District | : SOUTH GOA | Pin code | : 403401 |
| Main Town or Village | : PONDA | | | | | | | | | | | | | | | | | | |
| Post Office | : PONDA | | | | | | | | | | | | | | | | | | |
| Police Station | : PONDA | | | | | | | | | | | | | | | | | | |
| Block | : PONDA | | | | | | | | | | | | | | | | | | |
| Subdivision | : PONDA | | | | | | | | | | | | | | | | | | |
| District | : SOUTH GOA | | | | | | | | | | | | | | | | | | |
| Pin code | : 403401 | | | | | | | | | | | | | | | | | | |
| 2-Panditwada, Ponda | | | | | | | | | | | | | | | | | | | |
| 3-Bhavani Sadan, Ponda | | | | | | | | | | | | | | | | | | | |
| 4-Bazarmoll, Ponda | | | | | | | | | | | | | | | | | | | |
| 3. Polling station details | | | | | | | | | | | | | | | | | | | |
| No. and Name of Polling Station : | | Type of Polling Station (Male/Female/General) | | General | | | | | | | | | | | | | | | |
| 26 - St. Mary High School, Silvanagar (South Wing) Ponda Goa | | Number of Auxiliary Polling Stations in this part : | | 0 | | | | | | | | | | | | | | | |
| Address of Polling Station : | | | | | | | | | | | | | | | | | | | |
| St.Mary High School, Silvanagar Ponda Goa | | | | | | | | | | | | | | | | | | | |
| 4. NUMBER OF ELECTORS | | | | | | | | | | | | | | | | | | | |
| Starting | Ending | Net Electors | | | | | | | | | | | | | | | | | |
| Serial No. | Serial No. | Male | Female | Third Gender | Total | | | | | | | | | | | | | | |
| 1 | 880 | 427 | 433 | 0 | 860 | | | | | | | | | | | | | | |

Signature of Electoral Registration Officer

Nazri Naksha



Google Map View



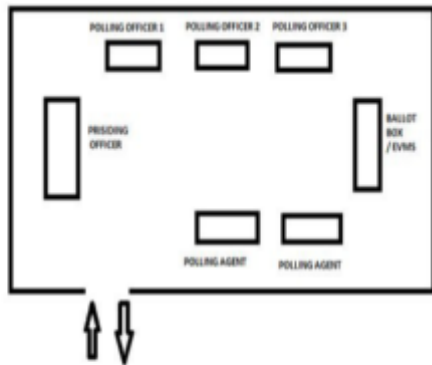
Polling Station Building Front View



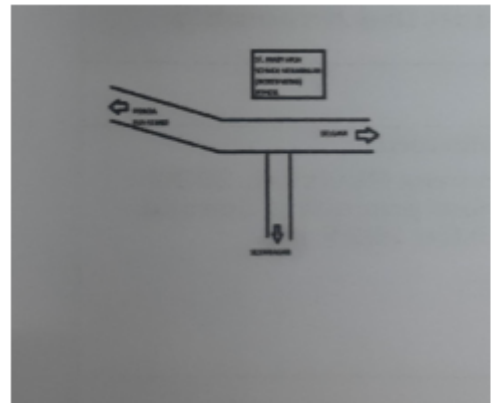
Polling Station Front View



Cad View



Key MAP View



| | | | | | |
|---|----------------------------------|--|----------------------------------|--|----------------------------------|
| 1 Name : Mohamed Rafique Saikalgar Fathers Name: Ibrahim Saikalgar House Number : (A) T-2 Age : 61 Gender : Male | MXY1322585 Photo Available | 2 Name : Farida Bi Saikalgar Husbands Name: M. Rafique Saikalgar House Number : (A)T.2 Age : 54 Gender : Female | MXY1322783 Photo Available | 3 Name : Taufeeq Saikalgar Fathers Name: M. Rafique Saikalgar House Number : (A)T.2 Age : 38 Gender : Male | MXY1356534 Photo Available |
| S 4 Name : Mainodin Shaikh Fathers Name: Saliya Shaikh House Number : 1 Age : 62 Gender : Male | ZOV0312207 Photo Available | 5 Name : RAMKRISHNA SHINKRE Fathers Name: SHAILENDRA SHINKRE House Number : 1/41/4 Age : 19 Gender : Male | ZOV0442749 Photo Available | 6 Name : Sankalp Sadashiv Gudekar Fathers Name: Sadashiv Vaman Gudekar House Number : 1/120/13 Age : 22 Gender : Male | ZOV0414920 Photo Available |
| 7 Name : Jagdish Banaulikar Fathers Name: Damodar Banaulikar House Number : 1/121/16 Age : 75 Gender : Male | ZOV0239723 Photo Available | 8 Name : Lalita Banaulikar Husbands Name: Jagdish Banaulikar House Number : 1/121/16 Age : 63 Gender : Female | ZOV0239749 Photo Available | 9 Name : Sameeta Mangaldas Verenkar Fathers Name: Mangaldas Verenkar House Number : 1/124/23(4) Age : 35 Gender : Female | ZOV0183855 Photo Available |
| 10 Name : Gulsharabi Shaikh Husbands Name: Moulali Shaikh House Number : 1/121/28/34 Age : 48 Gender : Female | MXY1308956 Photo Available | 11 Name : Siraj Shaikh Fathers Name: Moulali Shaikh House Number : 1/121/28/34 Age : 26 Gender : Male | ZOV0432518 Photo Available | 12 Name : Al Gacous Bepaari Fathers Name: Muzafar Bepari House Number : 1/121/33/37 Age : 23 Gender : Male | ZOV0379859 Photo Available |
| 13 Name : Faizan Maulali Shaikh Fathers Name: Maulali Naseeruddin Shaikh House Number : 1/121/28 4th Floor Age : 20 Gender : Male | ZOV0437103 Photo Available | 14 Name : Andrey D'costa Husbands Name: Daniel Fernandes House Number : 1/122/12(8) F 2 Age : 40 Gender : Female | ZOV0282350 Photo Available | 15 Name : Daniel Fernandes Fathers Name: Avertano Fernandes House Number : 1/122/12(8) F 2 Age : 49 Gender : Male | ZOV0280339 Photo Available |
| 16 Name : Manjunatha Gadiyar Fathers Name: Manojkumar Gadiyar House Number : 4 2flr Sukthankar Plaza Age : 23 Gender : Male | ZOV0380956 Photo Available | 17 Name : Akram Shekh Fathers Name: Arif Shekh House Number : 5th Floor Age : 22 Gender : Male | ZOV0425892 Photo Available | 18 Name : Sameer Salunke Fathers Name: Mahabaleshwar Salunke House Number : 12/25(3) Age : 46 Gender : Male | ZOV0181560 Photo Available |
| 19 Name : Sarika Salunke Husbands Name: Sameer Salunke House Number : 12/25(3) Age : 43 Gender : Female | ZOV0181578 Photo Available | 20 Name : Reeni Ballary Fathers Name: Mahesh Ballary House Number : 13/3 Age : 29 Gender : Female | ZOV0362012 Photo Available | 21 Name : Hetan Khushaldas Naik Fathers Name: Khushaldas Naik House Number : 13/3 Age : 26 Gender : Male | ZOV0432310 Photo Available |
| 22 Name : Heshan Khushaldas Naik Fathers Name: Khushaldas Naik House Number : 13/3 Age : 21 Gender : Male | ZOV0432328 Photo Available | 23 Name : Samreen Shaikh Fathers Name: Asipha Shaikh House Number : 14 Age : 24 Gender : Female | ZOV0372334 Photo Available | 24 Name : Chaya Naik Husbands Name: Sandeep Naik House Number : 21 Age : 49 Gender : Female | ZOV0187286 Photo Available |
| 25 Name : Hussain Bi Pathan Husbands Name: Md. Hanif Pathan Pathan House Number : 23 Age : 59 Gender : Female | ZOV0318642 Photo Available | 26 Name : Samadrito Dash Fathers Name: Subimal Das House Number : 23 Bhavani Sedan Age : 22 Gender : Male | ZOV0420679 Photo Available | 27 Name : Binod Kumar Mishra Fathers Name: Uma Shankar Mishra House Number : 28 Age : 57 Gender : Male | ZOV0329631 Photo Available |
| 28 Name : Muskan Hassan Shaikh Fathers Name: Hassan shaikh House Number : 28/41 Age : 22 Gender : Female | ZOV0422923 Photo Available | # 29 Name : BIBI AAMINA PEERJADE Fathers Name: GAUSMODDIN PIRJADE House Number : 42 Age : 20 Gender : Female | ZOV0442855 Photo Available | 30 Name : Kushaldas H. Naik Fathers Name: Harischandra P Niak House Number : 54 Age : 52 Gender : Male | ZOV0253070 Photo Available |

| | | | | | |
|---|----------------------------------|---|----------------------------------|--|----------------------------------|
| 31 Name : Sarojini Naik Husbands Name: Shivkant Naik House Number : 59 Age : 67 Gender : Female | ZOV0248377 Photo Available | 32 Name : Reshma Naik Husbands Name: Brahamanand Naik House Number : 59 Age : 56 Gender : Female | ZOV0253567 Photo Available | 33 Name : Brahmanand Naik Fathers Name: Gangaram Naik House Number : 59 Age : 56 Gender : Male | ZOV0187161 Photo Available |
| 34 Name : Dattatraia Naik Fathers Name: Gangaram Naik House Number : 59 Age : 54 Gender : Male | ZOV0217620 Photo Available | 35 Name : Prakash Naik Fathers Name: Gangaram Naik House Number : 59 Age : 52 Gender : Male | ZOV0194373 Photo Available | 36 Name : Vishnu Naik Fathers Name: Gangaram Naik House Number : 59 Age : 51 Gender : Male | MXY1328244 Photo Available |
| 37 Name : Pramila Naik Husbands Name: Prakash Naik House Number : 59 Age : 47 Gender : Female | LNJ0888610 Photo Available | 38 Name : Nidhi Naik Husbands Name: Dattatraia Naik House Number : 59 Age : 45 Gender : Female | ZOV0272880 Photo Available | 39 Name : Devendra Naik Fathers Name: Shivkant Naik House Number : 59 Age : 42 Gender : Male | ZOV0248385 Photo Available |
| 40 Name : Alaknanda Naik Husbands Name: Devendra Naik House Number : 59 Age : 42 Gender : Female | ZOV0358192 Photo Available | 41 Name : YOUSHA NAIK Fathers Name: DATTATRAY NAIK House Number : 59 Age : 20 Gender : Female | ZOV0436113 Photo Available | 42 Name : Jabeena Shaikh Husbands Name: Davalsab Shaikh House Number : 59 Age : 48 Gender : Female | ZOV0239772 Photo Available |
| 43 Name : Rajesh Sukthankar Fathers Name: Devidas Sukthankar House Number : 120/5 Age : 55 Gender : Male | ZOV0397281 Photo Available | 44 Name : Sudesh Sukthankar Fathers Name: Devidas Sukthankar House Number : 120/5 Age : 53 Gender : Male | ZOV0397273 Photo Available | 45 Name : Yogita Sukthankar Husbands Name: Rajesh Sukthankar House Number : 120/5 Age : 49 Gender : Female | MXY1372762 Photo Available |
| 46 Name : Sandhya Sukthankar Husbands Name: Sudesh Sukthankar House Number : 120/5 Age : 48 Gender : Female | ZOV0152371 Photo Available | # 47 Name : Pradnya Sukthankar Fathers Name: Rajesh Sukthankar House Number : H No. 120/5, Shri Shanta Niwas Age : 24 Gender : Female | ZOV0382168 Photo Available | 48 Name : Nishi Sukthankar Fathers Name: Sudesh Sukthankar House Number : 120/5 Age : 23 Gender : Female | ZOV0382176 Photo Available |
| 49 Name : Khan Basid Ali Fathers Name: Abid Hassan Khan House Number : 121 Age : 27 Gender : Male | ZOV0375212 Photo Available | 50 Name : Sajid Ali Khan Fathers Name: Abid Hassan Khan House Number : 121 Age : 25 Gender : Male | ZOV0375220 Photo Available | S 51 Name : Guddo Khan Fathers Name: Abid Hassan Khan House Number : 121 Age : 24 Gender : Female | ZOV0375253 Photo Available |
| 52 Name : Hamza Shaikh Fathers Name: Nasiruddin Shaikh House Number : 121/20 Age : 67 Gender : Male | ZOV0397190 Photo Available | 53 Name : Rashid Shaikh Fathers Name: Nasiruddin Shaikh House Number : 121/20 Age : 64 Gender : Male | ZOV0191767 Photo Available | 54 Name : Anwar Shaikh Fathers Name: Nasiruddin Shaikh House Number : 121/20 Age : 62 Gender : Male | ZOV0397174 Photo Available |
| 55 Name : Akbar Shaikh Fathers Name: Nasiruddin Shaikh House Number : 121/20 Age : 59 Gender : Male | ZOV0194217 Photo Available | 56 Name : Nilufar Shaikh Husbands Name: Hamza Shaikh House Number : 121/20 Age : 55 Gender : Female | ZOV0397166 Photo Available | 57 Name : Safina Shaikh Husbands Name: Ilyas Shaikh House Number : 121/20 Age : 54 Gender : Female | ZOV0397158 Photo Available |
| 58 Name : Gulshan Shaikh Husbands Name: Rashid Shaikh House Number : 121/20 Age : 53 Gender : Female | MXY1327915 Photo Available | 59 Name : Sakina Shaikh Husbands Name: Anwar Shaikh House Number : 121/20 Age : 50 Gender : Female | MXY1327147 Photo Available | 60 Name : Shabana Shaikh Husbands Name: Akbar Shaikh House Number : 121/20 Age : 44 Gender : Female | ZOV0272914 Photo Available |

| | | |
|--|---|--|
| <p>61</p> <p>ZOV0239814</p> <p>Name : Imdad Shaikh Fathers Name: Hamza Shaik House Number : 121/20 Age : 32 Gender : Male</p> <p>Photo</p> <p>Available</p> | <p>62</p> <p>ZOV0297879</p> <p>Name : Almaz Shaikh Fathers Name: Ilyas Shaikh House Number : 121/20 Age : 30 Gender : Female</p> <p>Photo</p> <p>Available</p> | <p>63</p> <p>ZOV0381707</p> <p>Name : Alfa Shaikh Fathers Name: Rashid Shaikh House Number : 121/20 Age : 25 Gender : Female</p> <p>Photo</p> <p>Available</p> |
| <p>64</p> <p>ZOV0381681</p> <p>Name : Hashmat Bi Shaikh Fathers Name: Anwar Shaikh House Number : 121/20 Age : 24 Gender : Female</p> <p>Photo</p> <p>Available</p> | <p>65</p> <p>ZOV0381673</p> <p>Name : Nasruddin Shaikh Fathers Name: Hamaza Shaikh House Number : 121/20 Age : 23 Gender : Male</p> <p>Photo</p> <p>Available</p> | <p>66</p> <p>ZOV0435792</p> <p>Name : Atifa Shaikh Fathers Name: Anwar Shaikh House Number : 121/20 Age : 22 Gender : Female</p> <p>Photo</p> <p>Available</p> |
| <p>67</p> <p>ZOV0432476</p> <p>Name : Aliya Ilyas Shaikh Mothers Name: Safina Shaikh House Number : 121/20 Age : 20 Gender : Female</p> <p>Photo</p> <p>Available</p> | <p>68</p> <p>ZOV0356287</p> <p>Name : Ravina Shet Verekar Fathers Name: Kashinath Shet Verekar House Number : 121/24/1 Age : 30 Gender : Female</p> <p>Photo</p> <p>Available</p> | <p>69</p> <p>ZOV0272815</p> <p>Name : Jagadish Shet Verekar Fathers Name: Jairam Shet Verekar House Number : 121/24-1 Age : 81 Gender : Male</p> <p>Photo</p> <p>Available</p> |
| <p>70</p> <p>MXY0080846</p> <p>Name : Ramabai Shet Verekar Husbands Name: Jagadish Shet Verekar House Number : 121/24-1 Age : 74 Gender : Female</p> <p>Photo</p> <p>Available</p> | <p>71</p> <p>MXY0233460</p> <p>Name : Jairam Shet Verekar Fathers Name: Jagadish Shet Verekar House Number : 121/24-1 Age : 42 Gender : Male</p> <p>Photo</p> <p>Available</p> | <p>72</p> <p>MXY1328848</p> <p>Name : Smita Shet Verekar Fathers Name: Jagadish Verekar House Number : 121/24-1 Age : 40 Gender : Female</p> <p>Photo</p> <p>Available</p> |
| <p>73</p> <p>MXY1383827</p> <p>Name : Nikhil Shet Verekar Fathers Name: Jagadish Shet Verekar House Number : 121/24-1 Age : 38 Gender : Male</p> <p>Photo</p> <p>Available</p> | <p>74</p> <p>ZOV0423020</p> <p>Name : Siddhi S Verekar Husbands Name: Nikhil S Verekar House Number : 121/24-2 Age : 33 Gender : Female</p> <p>Photo</p> <p>Available</p> | <p>75</p> <p>ZOV0075135</p> <p>Name : Hemant Shet Verekar Fathers Name: Jairam Shet Verekar House Number : 121/24-2 Age : 62 Gender : Male</p> <p>Photo</p> <p>Available</p> |
| <p>76</p> <p>MXY1328830</p> <p>Name : Reema Shet Verekar Husbands Name: Hemant Shet Verekar House Number : 121/24-2 Age : 52 Gender : Female</p> <p>Photo</p> <p>Available</p> | <p>77</p> <p>ZOV0435529</p> <p>Name : Sahil Shet Verekar Fathers Name: Hemant Shet Verekar House Number : 121/24-2 Age : 20 Gender : Male</p> <p>Photo</p> <p>Available</p> | <p>78</p> <p>MXY1366343</p> <p>Name : Sushila Ghate Husbands Name: Dileep Ghate House Number : 121/16-19 Age : 44 Gender : Female</p> <p>Photo</p> <p>Available</p> |
| <p>79</p> <p>MXY1327329</p> <p>Name : Prakash Parkar Fathers Name: Surya Parkar House Number : 121/16-19 Age : 79 Gender : Male</p> <p>Photo</p> <p>Available</p> | <p>80</p> <p>MXY1327667</p> <p>Name : Surekha Parkar Husbands Name: Prakash Parkar House Number : 121/16-19 Age : 70 Gender : Female</p> <p>Photo</p> <p>Available</p> | <p>81</p> <p>ZOV0192518</p> <p>Name : Prashila Parkar Fathers Name: Prakash Parkar House Number : 121/16-19 Age : 40 Gender : Male</p> <p>Photo</p> <p>Available</p> |
| <p>82</p> <p>MXY1371871</p> <p>Name : Anand Naik Fathers Name: Purushottam Naik House Number : 121/16-22 Age : 69 Gender : Male</p> <p>Photo</p> <p>Available</p> | <p>83</p> <p>ZOV0397224</p> <p>Name : Fremiot Pereira Husbands Name: Vincent Pereira House Number : 121/16-23 Age : 84 Gender : Female</p> <p>Photo</p> <p>Available</p> | <p>84</p> <p>ZOV0152348</p> <p>Name : Carmelina Pereira Fathers Name: Vincent Pereira House Number : 121/16-23 Age : 59 Gender : Female</p> <p>Photo</p> <p>Available</p> |
| <p>85</p> <p>MXY7751472</p> <p>Name : Suvarnlata Swar Husbands Name: Vilas Swar House Number : 121/16-27 Age : 69 Gender : Female</p> <p>Photo</p> <p>Available</p> | <p>86</p> <p>MXY7751480</p> <p>Name : Manisha Swar Husbands Name: Sushant Swar House Number : 121/16-27 Age : 48 Gender : Female</p> <p>Photo</p> <p>Available</p> | <p>87</p> <p>MXY7751464</p> <p>Name : Sushant Swar Fathers Name: Vilas Swar House Number : 121/16-27 Age : 48 Gender : Male</p> <p>Photo</p> <p>Available</p> |
| <p>88</p> <p>ZOV0422105</p> <p>Name : Harsh Swar Fathers Name: Sushant Swar House Number : 121-16-27 Age : 21 Gender : Male</p> <p>Photo</p> <p>Available</p> | <p>89</p> <p>ZOV0324343</p> <p>Name : Sheetal Husbands Name: Neelesh House Number : 121/16-28 Age : 45 Gender : Female</p> <p>Photo</p> <p>Available</p> | <p>90</p> <p>ZOV0256909</p> <p>Name : Manohar Verekar Fathers Name: Mahadev Verekar House Number : 121/16-28 Age : 91 Gender : Male</p> <p>Photo</p> <p>Available</p> |

| | | |
|---|--|---|
| <p>91</p> <p>MXY0227942</p> <p>Name : Mahadev Verenkar Fathers Name: Manohar Verenkar House Number : 121/16-28 Age : 58 Gender : Male</p> <p>Photo Available</p> | <p>92</p> <p>ZOV0272724</p> <p>Name : Darshan Verenkar Fathers Name: Manohar Verenkar House Number : 121/16-28 Age : 57 Gender : Male</p> <p>Photo Available</p> | <p>93</p> <p>ZOV0397208</p> <p>Name : Rajesh Verenkar Fathers Name: Manohar Verenkar House Number : 121/16-28 Age : 53 Gender : Male</p> <p>Photo Available</p> |
| <p>94</p> <p>MXY1384056</p> <p>Name : Tanuja Verenkar Husbands Name: Mahadev Verenkar House Number : 121/16-28 Age : 51 Gender : Female</p> <p>Photo Available</p> | <p>95</p> <p>ZOV0272732</p> <p>Name : Nilesh Verenkar Fathers Name: Manohar Verenkar House Number : 121/16-28 Age : 49 Gender : Male</p> <p>Photo Available</p> | <p>96</p> <p>ZOV0152314</p> <p>Name : Gurudas Nagvekar Fathers Name: Ramchandra Nagvekar House Number : 121/16-29 Age : 69 Gender : Male</p> <p>Photo Available</p> |
| <p>97</p> <p>ZOV0284703</p> <p>Name : Savita Nagvekar Husbands Name: Gurudas Nagvekar House Number : 121/16-29 Age : 66 Gender : Female</p> <p>Photo Available</p> | <p>98</p> <p>ZOV0284745</p> <p>Name : Bhagyashri Nagvekar Fathers Name: Gurudas Nagvekar House Number : 121/16-29 Age : 39 Gender : Female</p> <p>Photo Available</p> | <p>99</p> <p>MXY0080473</p> <p>Name : Prabhakar Redkar Fathers Name: Kanu Redkar House Number : 121/16-31 Age : 88 Gender : Male</p> <p>Photo Available</p> |
| <p>100</p> <p>ZOV0280396</p> <p>Name : Fatima Shaikh Husbands Name: Gaffar Shaikh House Number : 121/16-35 Age : 84 Gender : Female</p> <p>Photo Available</p> | <p>101</p> <p>MXY7736309</p> <p>Name : Tasnim Shaikh Husbands Name: Ashraf Shaikh House Number : 121/16-35 Age : 52 Gender : Female</p> <p>Photo Available</p> | <p>102</p> <p>ZOV0397125</p> <p>Name : Raghuvir Sambary Fathers Name: Motilal Sambary House Number : 121/25-14 Age : 55 Gender : Male</p> <p>Photo Available</p> |
| <p>103</p> <p>MXY7751191</p> <p>Name : Rupali Sambary Husbands Name: Raghuvir Sambary House Number : 121/25-14 Age : 51 Gender : Female</p> <p>Photo Available</p> | <p>104</p> <p>ZOV0361329</p> <p>Name : Riya Sinai Sambary Fathers Name: Raghuvir Sambary House Number : 121/25-14 Age : 26 Gender : Female</p> <p>Photo Available</p> | <p>105</p> <p>ZOV0188144</p> <p>Name : Rajashree Naik Husbands Name: Govindrao Naik House Number : 121/25-16 Age : 65 Gender : Female</p> <p>Photo Available</p> |
| <p>106</p> <p>ZOV0253096</p> <p>Name : Prasad Naik Fathers Name: Govindrao Naik House Number : 121/25-16 Age : 39 Gender : Male</p> <p>Photo Available</p> | <p>107</p> <p>ZOV0186601</p> <p>Name : Ramadas Naik Rane Fathers Name: Vishwanath Naik Rane House Number : 121/25-17 Age : 81 Gender : Male</p> <p>Photo Available</p> | <p>108</p> <p>MXY7750961</p> <p>Name : Shubhada Rane Husbands Name: Ramadas Rane House Number : 121/25-17 Age : 74 Gender : Female</p> <p>Photo Available</p> |
| <p>109</p> <p>ZOV0217638</p> <p>Name : Nagraj Rane Fathers Name: Ramadas Rane House Number : 121/25-17 Age : 43 Gender : Male</p> <p>Photo Available</p> | <p>110</p> <p>MXY1366178</p> <p>Name : Shashank Rane Fathers Name: Madhav Rane House Number : 121/25-17 Age : 43 Gender : Male</p> <p>Photo Available</p> | <p>111</p> <p>ZOV0280420</p> <p>Name : Venkatesh Nauti Fathers Name: Shrikrishna Nauti House Number : 121/25-18 Age : 66 Gender : Male</p> <p>Photo Available</p> |
| <p>112</p> <p>ZOV0280438</p> <p>Name : Sunita Nauti Husbands Name: Venkatesh Nauti House Number : 121/25-18 Age : 62 Gender : Female</p> <p>Photo Available</p> | <p>113</p> <p>ZOV0069609</p> <p>Name : Ismail Armar Fathers Name: Hussain Armar House Number : 121/25-19 Age : 87 Gender : Male</p> <p>Photo Available</p> | <p>114</p> <p>ZOV0397091</p> <p>Name : Aisha Armar Husbands Name: Ismail Armar House Number : 121/25-19 Age : 74 Gender : Female</p> <p>Photo Available</p> |
| <p>115</p> <p>ZOV0397083</p> <p>Name : Khalikhujama Armar Fathers Name: Ismail Armar House Number : 121/25-19 Age : 51 Gender : Male</p> <p>Photo Available</p> | <p>116</p> <p>ZOV0397075</p> <p>Name : Rafurjama Armar Fathers Name: Ismail Armar House Number : 121/25-19 Age : 48 Gender : Male</p> <p>Photo Available</p> | <p>117</p> <p>ZOV0069492</p> <p>Name : Quamruzzama Armar Fathers Name: Ismail Armar House Number : 121/25-19 Age : 47 Gender : Male</p> <p>Photo Available</p> |
| <p>118</p> <p>ZOV0371989</p> <p>Name : Mubin Banu Killeddar Husbands Name: Quamruzzama Armar House Number : 121/25-19 Age : 36 Gender : Female</p> <p>Photo Available</p> | <p>119</p> <p>ZOV0186874</p> <p>Name : K.n Vijayan Fathers Name: Narayan House Number : 121/25-20 Age : 67 Gender : Male</p> <p>Photo Available</p> | <p>120</p> <p>ZOV0074997</p> <p>Name : Varada Gad Kerkar Husbands Name: Dhananjay Gad Kerkar House Number : 121/28-22 Age : 55 Gender : Female</p> <p>Photo Available</p> |

| | | | | | | | | | | | |
|-----|------------|---|--------------------|-------|------------|---|--------------------|-----|------------|--|--------------------|
| 121 | MXY1334010 | Name : Abid Hassan Khan Fathers Name: Israr Hassan Khan House Number : 121/28-22- Age : 64 Gender : Male | Photo Available | 122 | MXY1328236 | Name : Sakir Khan Fathers Name: Israr Khan House Number : 121/28-22- Age : 64 Gender : Male | Photo Available | 123 | MXY1328228 | Name : Samina Khan Husbands Name: Sakir Khan House Number : 121/28-22- Age : 54 Gender : Female | Photo Available |
| 124 | ZOV0194647 | Name : Sharfunnisa Kazi Husbands Name: Raziuddin Kazi House Number : 121/28-24 Age : 93 Gender : Female | Photo Available | 125 | MXY1516384 | Name : Rukhsana Saiyed Husbands Name: Calid Ahamad Saied House Number : 121/28-24- Age : 54 Gender : Female | Photo Available | 126 | ZOV0438598 | Name : Sheetal Naik Husbands Name: Nutesh Naik House Number : 121/9 S1 Age : 39 Gender : Female | Photo Available |
| 127 | ZOV0397141 | Name : Kashinath Shet Verekar Fathers Name: Jairam Shet Verekar House Number : 121/24/1-A Age : 69 Gender : Male | Photo Available | 128 | ZOV0267500 | Name : Ravish Shet Verekar Fathers Name: Kashinath Shet Verekar House Number : 121/24/1-A Age : 32 Gender : Male | Photo Available | 129 | ZOV0397133 | Name : Prasad Shet Verekar Fathers Name: Jairam Shet Verekar House Number : 121/24/2-A Age : 65 Gender : Male | Photo Available |
| 130 | MXY0233700 | Name : Prachi Shet Verekar Husbands Name: Prasad Shet Verekar House Number : 121/24/2-A Age : 56 Gender : Female | Photo Available | 131 | ZOV0358671 | Name : Pradnya Shet Verenkar Fathers Name: Prasad Shet Verenkar House Number : 121/24/2-A Age : 28 Gender : Female | Photo Available | 132 | ZOV0358663 | Name : Pranav Shet Verenkar Fathers Name: Prasad Shet Verenkar House Number : 121/24/2-A Age : 25 Gender : Male | Photo Available |
| 133 | MXY0233775 | Name : Abhay Shet Verekar Fathers Name: Jairam Shet Verekar House Number : 121/24/2-B Age : 63 Gender : Male | Photo Available | 134 | MXY1327840 | Name : Reshma Shet Verekar Husbands Name: Abhay Shet Verekar House Number : 121/24/2-b Age : 50 Gender : Female | Photo Available | 135 | ZOV0326025 | Name : Nasir Ali Khan Fathers Name: Sakir Ali Khan House Number : 121/28022 Age : 28 Gender : Male | Photo Available |
| 136 | ZOV0397034 | Name : Sadanand Pednekar Fathers Name: Atmaram Pednekar House Number : 122/2 Age : 95 Gender : Male | Photo Available | 137 | ZOV0397026 | Name : Pushpa Pednekar Husbands Name: Sadanand Pednekar House Number : 122/2 Age : 82 Gender : Female | Photo Available | 138 | ZOV0296814 | Name : Viraj Shenvi Sukthanker Fathers Name: Raghuvir Shenvi Sukthanker House Number : 122/6 Age : 30 Gender : Male | Photo Available |
| 139 | ZOV0396986 | Name : Nalini Sukhatankar Husbands Name: Rama Sukhatankar House Number : 122/6 Age : 91 Gender : Female | Photo Available | 140 | ZOV0152256 | Name : Raghuvir Sukhatankar Fathers Name: Rama Sukhatankar House Number : 122/6 Age : 62 Gender : Male | Photo Available | 141 | MXY6825582 | Name : Leena Sukhatankar Husbands Name: Raghuvir Sukhatankar House Number : 122/6 Age : 55 Gender : Female | Photo Available |
| 142 | ZOV0329672 | Name : Apoorva Sukhatankar Fathers Name: Raghuvir Sukhatankar House Number : 122/6 Age : 28 Gender : Female | Photo Available | 143 | ZOV0277087 | Name : Rajesh Bhosle Fathers Name: Ramchandra Bhosle House Number : 122/1-(1) Age : 52 Gender : Male | Photo Available | 144 | ZOV0277079 | Name : Darshna Bhosle Husbands Name: Rajesh Bhosle House Number : 122/1-(1) Age : 45 Gender : Female | Photo Available |
| 145 | ZOV0438267 | Name : Jeet Bhosle Fathers Name: Rajesh Bhosle House Number : 122/1-1 Age : 20 Gender : Male | Photo Available | 146 | ZOV0296061 | Name : Shanta Katgar Husbands Name: Arjun Katgar House Number : 122/16 Age : 48 Gender : Female | Photo Available | 147 | ZOV0385716 | Name : Premanand Katgar Fathers Name: Shanta Katgar House Number : 122/16 Age : 25 Gender : Male | Photo Available |
| 148 | ZOV0065128 | Name : Antonete Almeida Husbands Name: A. Almeida House Number : 122/9-1 Age : 71 Gender : Female | Photo Available | E 149 | MXY1290477 | Name : Isidora Cruz Fathers Name: Joaquim Cruz House Number : 122/9-1 Age : 81 Gender : Male | Photo Available | 150 | MXY0077388 | Name : Wilfred Dias Fathers Name: Joaquim Dias House Number : 122/5-29 Age : 52 Gender : Male | Photo Available |

| | | |
|---|--|---|
| <p>151</p> <p>ZOV0189795</p> <p>Name : Norma Dias Husbands Name: Wilfred Dias House Number : 122/5-29 Age : 47 Gender : Female</p> <p>Photo</p> <p>Available</p> | <p>152</p> <p>MXY1366442</p> <p>Name : Januario Pereira Fathers Name: Francis Pereira House Number : 122/5-30 Age : 69 Gender : Male</p> <p>Photo</p> <p>Available</p> | <p>153</p> <p>MXY1366434</p> <p>Name : Tereza Pereira Husbands Name: Januario Pereira House Number : 122/5-30 Age : 67 Gender : Female</p> <p>Photo</p> <p>Available</p> |
| <p>154</p> <p>ZOV0261628</p> <p>Name : Steffie P.J. Pereira Fathers Name: Januario Pereira House Number : 122/5-30 Age : 32 Gender : Female</p> <p>Photo</p> <p>Available</p> | <p>155</p> <p>ZOV0385286</p> <p>Name : Prasad Kharkande Fathers Name: Raghunath Kharkande House Number : 122/5(33) Age : 25 Gender : Male</p> <p>Photo</p> <p>Available</p> | <p>156</p> <p>ZOV0192658</p> <p>Name : Nutan Shet Verekar Husbands Name: Yoganand Shet Verekar House Number : 122/5-34 Age : 61 Gender : Female</p> <p>Photo</p> <p>Available</p> |
| <p>157</p> <p>MXY1290550</p> <p>Name : Jyoti Pai Husbands Name: Shrikant Pai House Number : 122/5-37 Age : 69 Gender : Female</p> <p>Photo</p> <p>Available</p> | <p>158</p> <p>MXY1334580</p> <p>Name : Tecla Vallado Husbands Name: Edwin Vallado House Number : 122/10-12 Age : 66 Gender : Female</p> <p>Photo</p> <p>Available</p> | <p>159</p> <p>MXY1334630</p> <p>Name : Shaina Vallado Fathers Name: Edwin Vallado House Number : 122/10-12 Age : 41 Gender : Female</p> <p>Photo</p> <p>Available</p> |
| <p>160</p> <p>MXY1390301</p> <p>Name : Bibi Rosy Khatun Husbands Name: Khurshid Khatun House Number : 122/12-10 Age : 45 Gender : Female</p> <p>Photo</p> <p>Available</p> | <p>161</p> <p>ZOV0253120</p> <p>Name : Arif Mohammad Fathers Name: Abul Hassan Mohammad House Number : 122/12-10 Age : 52 Gender : Male</p> <p>Photo</p> <p>Available</p> | <p>162</p> <p>MXY1369164</p> <p>Name : Khurshid Mohammad Fathers Name: Abul Hassan Mohammad House Number : 122/12-10 Age : 47 Gender : Male</p> <p>Photo</p> <p>Available</p> |
| <p>163</p> <p>MXY1369529</p> <p>Name : Mayur Naik Fathers Name: Mangaldas Naik House Number : 124/16 Age : 35 Gender : Male</p> <p>Photo</p> <p>Available</p> | <p>S 164</p> <p>ZOV0239848</p> <p>Name : Shubhada Gauns Husbands Name: Dattara Gauns House Number : 15/42(5) Age : 46 Gender : Female</p> <p>Photo</p> <p>Available</p> | <p>165</p> <p>ZOV0320663</p> <p>Name : Aarti Kharkande Fathers Name: Raghunath Kharkande House Number : 158/28/3 Age : 28 Gender : Female</p> <p>Photo</p> <p>Available</p> |
| <p>166</p> <p>ZOV0383570</p> <p>Name : Ruchi Mishra Fathers Name: Bipin Mishra House Number : 168/23(12) Age : 23 Gender : Female</p> <p>Photo</p> <p>Available</p> | <p>167</p> <p>ZOV0329615</p> <p>Name : Chandrakant Nayak Fathers Name: Pandarng Nayak House Number : 201 Age : 72 Gender : Male</p> <p>Photo</p> <p>Available</p> | <p>168</p> <p>ZOV0329656</p> <p>Name : Lata Nayak Husbands Name: Chandrakant Nayak House Number : 201 Age : 61 Gender : Female</p> <p>Photo</p> <p>Available</p> |
| <p>169</p> <p>ZOV0329680</p> <p>Name : Rukma Nayak Fathers Name: Chandrakant Nayak House Number : 201 Age : 31 Gender : Female</p> <p>Photo</p> <p>Available</p> | <p>170</p> <p>ZOV0375147</p> <p>Name : Riya Shet Parkar Husbands Name: Prashil Shet Parkar House Number : a-3 Age : 36 Gender : Female</p> <p>Photo</p> <p>Available</p> | <p>171</p> <p>ZOV0396937</p> <p>Name : Sheela Sinai Nevrekar Husbands Name: Anand Sinai Nevrekar House Number : B/F/2 Age : 68 Gender : Female</p> <p>Photo</p> <p>Available</p> |
| <p>172</p> <p>ZOV0396929</p> <p>Name : Anand Sinai Nevrekar Fathers Name: Ramchandra Sinai Nevrekar House Number : B/F/2 Age : 67 Gender : Male</p> <p>Photo</p> <p>Available</p> | <p>173</p> <p>ZOV0368571</p> <p>Name : Tejas Kumbhar Fathers Name: Narendra Kumbhar House Number : B F-3 Age : 26 Gender : Male</p> <p>Photo</p> <p>Available</p> | <p>174</p> <p>ZOV0371104</p> <p>Name : Sujay Kumbhar Fathers Name: Narendra Kumbhar House Number : BF-3 Age : 28 Gender : Male</p> <p>Photo</p> <p>Available</p> |
| <p>175</p> <p>ZOV0344358</p> <p>Name : Premanand Siddarkar Fathers Name: Shivaram Siddarkar House Number : B-S-5 Age : 61 Gender : Male</p> <p>Photo</p> <p>Available</p> | <p>176</p> <p>ZOV0344341</p> <p>Name : Sangeeta Siddarkar Husbands Name: Premanand Siddarkar House Number : B-S-5 Age : 48 Gender : Female</p> <p>Photo</p> <p>Available</p> | <p>177</p> <p>ZOV0358275</p> <p>Name : Suraj Siddarkar Fathers Name: Premanand Siddarkar House Number : B-S-5 Age : 26 Gender : Male</p> <p>Photo</p> <p>Available</p> |
| <p>178</p> <p>ZOV0330092</p> <p>Name : Kalyan Kalghatgi Fathers Name: Shantaram Kalghatgi House Number : Bs-11 Age : 54 Gender : Male</p> <p>Photo</p> <p>Available</p> | <p>179</p> <p>ZOV0330084</p> <p>Name : Pranjali Kalghatgi Husbands Name: Kalyan Kalghatgi House Number : Bs-11 Age : 50 Gender : Female</p> <p>Photo</p> <p>Available</p> | <p>180</p> <p>ZOV0326306</p> <p>Name : Rani Patil Husbands Name: Raghuvveer Patil House Number : C -5 Shivam Apartment Age : 49 Gender : Female</p> <p>Photo</p> <p>Available</p> |

| | | |
|--|--|--|
| <p>181</p> <p>ZOV0326298</p> <p>Name : Raghuveer Patil Fathers Name: Dhananjay Patil House Number : C-5 Shivam Apartment Age : 48 Gender : Male</p> <p>Photo</p> <p>Available</p> | <p>182</p> <p>ZOV0309484</p> <p>Name : Dinkar Yadav Fathers Name: Bhima Yadav House Number : C-6 Age : 75 Gender : Male</p> <p>Photo</p> <p>Available</p> | <p>183</p> <p>ZOV0309492</p> <p>Name : Sheeladevi Yadav Husbands Name: Dinkar Yadav House Number : C-6 Age : 64 Gender : Female</p> <p>Photo</p> <p>Available</p> |
| <p>184</p> <p>ZOV0309526</p> <p>Name : Suryakant Yadav Fathers Name: Dinkar Yadav House Number : C-6 Age : 45 Gender : Male</p> <p>Photo</p> <p>Available</p> | <p>185</p> <p>ZOV0309500</p> <p>Name : Deepak Yadav Fathers Name: Dinkar Yadav House Number : C-6 Age : 42 Gender : Male</p> <p>Photo</p> <p>Available</p> | <p>186</p> <p>ZOV0309518</p> <p>Name : Rohini Yadav Husbands Name: Suryakant Yadav House Number : C-6 Age : 38 Gender : Female</p> <p>Photo</p> <p>Available</p> |
| <p>187</p> <p>ZOV0387100</p> <p>Name : SMITA DEEPAK YADAV Husbands Name: DEEPAK DINKAR YADAV House Number : C-6 Shivam apartments Age : 45 Gender : Female</p> <p>Photo</p> <p>Available</p> | <p>188</p> <p>ZOV0395111</p> <p>Name : Dayesh Shet Tilve Fathers Name: Umesh Shet Tilve House Number : C-304 Age : 53 Gender : Male</p> <p>Photo</p> <p>Available</p> | <p>189</p> <p>MXY1382449</p> <p>Name : Sunidhi Shet Tilve Husbands Name: Dayesh Shet Tilve House Number : C-304 Age : 49 Gender : Female</p> <p>Photo</p> <p>Available</p> |
| <p>190</p> <p>ZOV0385724</p> <p>Name : Shaheed Mujawar Fathers Name: Rafiq Mujawar House Number : F 1 Age : 24 Gender : Male</p> <p>Photo</p> <p>Available</p> | <p>191</p> <p>ZOV0329789</p> <p>Name : Trupti Shetti Husbands Name: Shrinivas Shetti House Number : F-1 Age : 47 Gender : Female</p> <p>Photo</p> <p>Available</p> | <p>192</p> <p>ZOV0443309</p> <p>Name : Jayesh Pankaj Bapat Mothers Name: Mamta Bapat House Number : F1 Sadashiv Plaza Age : 28 Gender : Male</p> <p>Photo</p> <p>Available</p> |
| <p>193</p> <p>ZOV0432419</p> <p>Name : Xec Moinodin Fathers Name: Xec Saliam House Number : F1 Sameera Plaza Age : 62 Gender : Male</p> <p>Photo</p> <p>Available</p> | <p>194</p> <p>ZOV0432427</p> <p>Name : Farhad Begum Husbands Name: Xec Moinodin House Number : F1 Sameera plaza Age : 50 Gender : Female</p> <p>Photo</p> <p>Available</p> | <p>195</p> <p>ZOV0297895</p> <p>Name : Mohamad Tufail Abid Hassan Ali Fathers Name: Abid Hassan Ali Hassan House Number : F-2 Age : 30 Gender : Male</p> <p>Photo</p> <p>Available</p> |
| <p>196</p> <p>ZOV0353797</p> <p>Name : Siddesh Gawas Fathers Name: Rama Gawas House Number : F-2 Age : 25 Gender : Male</p> <p>Photo</p> <p>Available</p> | <p>197</p> <p>MXY1326909</p> <p>Name : Badrun Hassan Khan Husbands Name: Abid Hassan Khan House Number : F-2 Age : 54 Gender : Female</p> <p>Photo</p> <p>Available</p> | <p>198</p> <p>MXY0283200</p> <p>Name : Surendra Shetty Fathers Name: Sesappa Shetty House Number : Ff-2 Age : 61 Gender : Male</p> <p>Photo</p> <p>Available</p> |
| <p>199</p> <p>MXY0283218</p> <p>Name : Prema Shetty Husbands Name: Surendra Shetty House Number : Ff-2 Age : 51 Gender : Female</p> <p>Photo</p> <p>Available</p> | <p>200</p> <p>ZOV0329698</p> <p>Name : Haritha Shetty Husbands Name: Pradeep Shetty House Number : Ff-2 Age : 38 Gender : Female</p> <p>Photo</p> <p>Available</p> | <p>201</p> <p>ZOV0379826</p> <p>Name : Prajna Shetty Fathers Name: Surendra Shetty House Number : Flat no. FF2 Age : 23 Gender : Female</p> <p>Photo</p> <p>Available</p> |
| <p>202</p> <p>ZOV0432468</p> <p>Name : krishna Shetty Fathers Name: Vitthal Shetty House Number : F-3 Age : 62 Gender : Male</p> <p>Photo</p> <p>Available</p> | <p>203</p> <p>ZOV0432401</p> <p>Name : Maya Shetty Husbands Name: Krishna Shetty House Number : F-3 Age : 60 Gender : Female</p> <p>Photo</p> <p>Available</p> | <p>204</p> <p>IZP0312777</p> <p>Name : Dadapeer Choudari Fathers Name: Karimsab Choudari House Number : Flat No T 3 Age : 36 Gender : Male</p> <p>Photo</p> <p>Available</p> |
| <p>205</p> <p>ZOV0297887</p> <p>Name : Sourisha Kerkar Fathers Name: Dhananjay Kerkar House Number : F-4 Age : 30 Gender : Female</p> <p>Photo</p> <p>Available</p> | <p>206</p> <p>ZOV0327643</p> <p>Name : Shrinivas Shetti Fathers Name: Prabhakar Shetti House Number : F-5 Age : 50 Gender : Male</p> <p>Photo</p> <p>Available</p> | <p>207</p> <p>MXY1150325</p> <p>Name : Pradeep Shetty Fathers Name: Sesappa Shetty House Number : Ff-8 Age : 49 Gender : Male</p> <p>Photo</p> <p>Available</p> |
| <p>208</p> <p>ZOV0261560</p> <p>Name : Neeta Shet Husbands Name: Kishor Shet House Number : Ff03 Age : 52 Gender : Female</p> <p>Photo</p> <p>Available</p> | <p>209</p> <p>FXC0095547</p> <p>Name : Smita Naik Husbands Name: Vishnu Naik House Number : House No 59 Age : 47 Gender : Female</p> <p>Photo</p> <p>Available</p> | <p>210</p> <p>ZOV0437095</p> <p>Name : YUKTA NAIK Fathers Name: DATTATRAY NAIK House Number : House no. 59 Age : 22 Gender : Female</p> <p>Photo</p> <p>Available</p> |

| | | | | | |
|---|----------------------------------|--|----------------------------------|---|----------------------------------|
| 211 Name : Yash Rajesh Sukthankar Fathers Name: Rajesh Devidas Sukthankar House Number : H.No 120/5 Shree Shanta Niwas 2nd Floor Age : 18 Gender : Male | ZOV0444422 Photo Available | 212 Name : Prafulla Chari Fathers Name: Shamba Chari House Number : S-1 Age : 41 Gender : Female | ZOV0261891 Photo Available | 213 Name : Narayan Chari Fathers Name: Shamba Chari House Number : S-1 Age : 33 Gender : Male | ZOV0261859 Photo Available |
| 214 Name : Mahek Kurani Fathers Name: Ajay Kurani House Number : S-1 Age : 26 Gender : Female | ZOV0356295 Photo Available | 215 Name : Shiva Naik Fathers Name: Gopi Naik House Number : S-1 Age : 61 Gender : Male | ZOV0276139 Photo Available | 216 Name : Sweta Naik Husbands Name: Shiva Naik House Number : S-1 Age : 58 Gender : Female | ZOV0280313 Photo Available |
| 217 Name : Tarteeb Shekh Fathers Name: Arif Shekh House Number : S-1 Age : 25 Gender : Male | ZOV0367698 Photo Available | 218 Name : Sunita Vallado Fathers Name: Edwin Antonio Vallado House Number : S-1 Age : 27 Gender : Female | ZOV0375329 Photo Available | 219 Name : Aditya Gavade Fathers Name: Vijay Gavade House Number : Sf-1 Age : 26 Gender : Male | ZOV0354118 Photo Available |
| 220 Name : Bhushanraj Karmalkar Fathers Name: Anand Karmalkar House Number : S-3 Age : 22 Gender : Male | ZOV0432302 Photo Available | 221 Name : Pooja Nayak Husbands Name: Siddharth Nayak House Number : S-3, Age : 33 Gender : Female | SDV0304741 Photo Available | 222 Name : Dulu Kerkar Fathers Name: Kamalant Kerkar House Number : S-5 Age : 53 Gender : Male | YPS0101485 Photo Available |
| 223 Name : Dakshat Patil Fathers Name: Raghuvveer Patil Patil House Number : Shivam Appartment C-5 Age : 20 Gender : Male | ZOV0432351 Photo Available | 224 Name : Manikrao Alias Kishor Mamlekar Fathers Name: Mahadev Mamlekar House Number : S-6 Age : 58 Gender : Male | ZOV0256073 Photo Available | 225 Name : Manjita Mamlekar Husbands Name: Manikrao Mamlekar House Number : S-6 Age : 48 Gender : Female | ZOV0256057 Photo Available |
| 226 Name : Mrunali Mamlekar Fathers Name: Manikrao Mamlekar House Number : S-6 Age : 23 Gender : Female | ZOV0415216 Photo Available | 227 Name : Chaitali Mamlekar Fathers Name: Manikrao Mamlekar House Number : S-6 Age : 22 Gender : Female | ZOV0415224 Photo Available | 228 Name : Nivedita Shet Verenkar Fathers Name: Yoganand Shet Verenkar House Number : S F7 Age : 30 Gender : Female | ZOV0290478 Photo Available |
| 229 Name : Lalith Kumar Solanki Fathers Name: Maftal Solanki House Number : S-7 Age : 50 Gender : Male | ZOV0329714 Photo Available | 230 Name : Ayush Naik Fathers Name: Rajendra Naik House Number : S-602 Age : 24 Gender : Male | ZOV0375360 Photo Available | 231 Name : Jyoti Naique Husbands Name: Rajendra Naique House Number : S-602 Age : 50 Gender : Female | NUP0232561 Photo Available |
| 232 Name : Naziabi Mulla Husbands Name: Abdulrehman Mulla House Number : S-603 Age : 39 Gender : Female | MXY7743883 Photo Available | 233 Name : Sneha Gavade Husbands Name: Vijay Gavade House Number : Sf-1 122/5 Age : 47 Gender : Female | ZOV0239863 Photo Available | 234 Name : Vijay Gavade Fathers Name: Vishnu Gavade House Number : Sf-1,122/5 Age : 55 Gender : Male | ZOV0239871 Photo Available |
| 235 Name : Muzafar Ali Bepari Fathers Name: Abdul Rehiman Bepari House Number : T.1 Age : 51 Gender : Male | MXY1385533 Photo Available | 236 Name : Reshma Naik Husbands Name: Rajanikant Naik House Number : T-1 Age : 45 Gender : Female | ZOV0300244 Photo Available | 237 Name : Afrin Saikalgar Fathers Name: Rafique Mohamed Saikalgar House Number : T2 Age : 33 Gender : Female | ZOV0326041 Photo Available |
| 238 Name : Amreen Banu Saikalgar Fathers Name: Rafique Mohamed Saikalgar House Number : T2 Age : 29 Gender : Female | ZOV0326058 Photo Available | 239 Name : Hemlata Chuudhary Fathers Name: Giridhari Choudhary House Number : T-7 Age : 23 Gender : Female | ZOV0439588 Photo Available | S 240 Name : Shahnaz Nadaf Husbands Name: Ismat Nadaf House Number : Wfp-5 Age : 41 Gender : Female | ZOV0334227 Photo Available |

| | | |
|---|--|--|
| <p>241</p> <p>ZOV0239921</p> <p>Name : Ismail Nadaf Fathers Name: Sayyadsab Nadaf House Number : - Age : 33 Gender : Male</p> <p>Photo</p> <p>Available</p> | <p>242</p> <p>ZOV0372276</p> <p>Name : Shubhlaxmi Shinkre Fathers Name: Shailendra Shinkre House Number : 1/41/4 Age : 24 Gender : Female</p> <p>Photo</p> <p>Available</p> | <p>243</p> <p>ZOV0324434</p> <p>Name : Venkatesh Ullegaddi Fathers Name: Vithal Ullegaddi House Number : 1/11/41 Age : 29 Gender : Male</p> <p>Photo</p> <p>Available</p> |
| <p>244</p> <p>ZOV0294710</p> <p>Name : Veena Nair Husbands Name: Shiju Kumar Nair House Number : 1/120/7 Age : 38 Gender : Female</p> <p>Photo</p> <p>Available</p> | <p>245</p> <p>ZOV0185678</p> <p>Name : Vishwanathan Nayar Fathers Name: Nilkantha Pillai House Number : 1/120/7 Age : 72 Gender : Male</p> <p>Photo</p> <p>Available</p> | <p>246</p> <p>ZOV0184804</p> <p>Name : Girija Vishwanath Vincent Nayar Husbands Name: Vincent Vishwanath Nayar House Number : 1/120/7 Age : 59 Gender : Female</p> <p>Photo</p> <p>Available</p> |
| <p>247</p> <p>MXV1291228</p> <p>Name : Ranjini Pillai Husbands Name: Gopakumar Pillai House Number : 1/120/7 Age : 41 Gender : Female</p> <p>Photo</p> <p>Available</p> | <p>248</p> <p>ZOV0239962</p> <p>Name : Vatsala Pawaskar Husbands Name: Mangaldas Pawaskar House Number : 1/125/2 Age : 73 Gender : Female</p> <p>Photo</p> <p>Available</p> | <p>249</p> <p>ZOV0432443</p> <p>Name : Shobha Gurav Husbands Name: Hanamant Gurav House Number : 1/41/18 Age : 29 Gender : Female</p> <p>Photo</p> <p>Available</p> |
| <p>250</p> <p>ZOV0185819</p> <p>Name : Ameer Naik Fathers Name: Ankush Naik House Number : 1/41/18 Age : 38 Gender : Male</p> <p>Photo</p> <p>Available</p> | <p>251</p> <p>ZOV0185611</p> <p>Name : Vishal Naik Fathers Name: Ankush Naik House Number : 1/41/18 Age : 36 Gender : Male</p> <p>Photo</p> <p>Available</p> | <p>252</p> <p>ZOV0320630</p> <p>Name : Priyal Naik Fathers Name: Dilip Naik House Number : 1/41/18 Age : 29 Gender : Male</p> <p>Photo</p> <p>Available</p> |
| <p>253</p> <p>ZOV0369249</p> <p>Name : Sampreet Prabhu Fathers Name: Sanjeev Prabhu House Number : 1-41-26 Age : 24 Gender : Male</p> <p>Photo</p> <p>Available</p> | <p>254</p> <p>ZOV0239947</p> <p>Name : Arsal Kazi Fathers Name: Imtiyazuddin Kazi House Number : 1-43-1-1 Age : 35 Gender : Female</p> <p>Photo</p> <p>Available</p> | <p>255</p> <p>ZOV0300426</p> <p>Name : Saif Kazi Fathers Name: Imtiyaz Kazi House Number : 1-43-1-1 Age : 31 Gender : Male</p> <p>Photo</p> <p>Available</p> |
| <p>256</p> <p>ZOV0346007</p> <p>Name : Rama Gawas Fathers Name: Bhiva Gawas House Number : 1/121/25 Age : 60 Gender : Male</p> <p>Photo</p> <p>Available</p> | <p>257</p> <p>ZOV0340687</p> <p>Name : Shobha Gawas Husbands Name: Rama Gawas House Number : 1/121/25 Age : 52 Gender : Female</p> <p>Photo</p> <p>Available</p> | <p>258</p> <p>ZOV0333138</p> <p>Name : Laximibai Ullegadi Fathers Name: Vithal Ullegadi House Number : 1/11/41 Age : 27 Gender : Female</p> <p>Photo</p> <p>Available</p> |
| <p>259</p> <p>ZOV0317735</p> <p>Name : Vinod Kaisare Fathers Name: Deepak Kaisare House Number : 1-41-11-1 Age : 30 Gender : Male</p> <p>Photo</p> <p>Available</p> | <p>260</p> <p>ZOV0377564</p> <p>Name : Sunita Ingale Husbands Name: Tukaram Ingale House Number : 1/41/12/1 Age : 38 Gender : Female</p> <p>Photo</p> <p>Available</p> | <p>261</p> <p>ZOV0261610</p> <p>Name : Kanka Naik Husbands Name: Kishor Naik House Number : 1/122/41/5 Age : 47 Gender : Female</p> <p>Photo</p> <p>Available</p> |
| <p>262</p> <p>ZOV0294819</p> <p>Name : Ashwini Naik Husbands Name: Nitesh Naik House Number : 1-41/12-A Age : 36 Gender : Female</p> <p>Photo</p> <p>Available</p> | <p>263</p> <p>TUH0298869</p> <p>Name : Deepak Chari Fathers Name: Rohidas Chari House Number : 1-41-15-A Age : 45 Gender : Male</p> <p>Photo</p> <p>Available</p> | <p>264</p> <p>JGZ4285292</p> <p>Name : Roshma Chari Husbands Name: Deepak Chari House Number : 1-41-15-A Age : 42 Gender : Female</p> <p>Photo</p> <p>Available</p> |
| <p>265</p> <p>ZOV0287359</p> <p>Name : Zahir Patel Fathers Name: Appalal Patel House Number : 1-41-28-E Age : 32 Gender : Male</p> <p>Photo</p> <p>Available</p> | <p>266</p> <p>HNL6945737</p> <p>Name : Vedika Volviokar Husbands Name: Vivekanand Volviokar House Number : 1/III/4316 Age : 41 Gender : Female</p> <p>Photo</p> <p>Available</p> | <p>267</p> <p>ZOV0309534</p> <p>Name : Manojkumar Gadiyar Fathers Name: Mohandas Gadiyar House Number : 4 Age : 53 Gender : Male</p> <p>Photo</p> <p>Available</p> |
| <p>268</p> <p>ZOV0309542</p> <p>Name : Laxmi Gadiyar Husbands Name: Manojkumar Gadiyar House Number : 4 Age : 51 Gender : Female</p> <p>Photo</p> <p>Available</p> | <p>269</p> <p>ZOV0365734</p> <p>Name : Mahendra Gadiyar Fathers Name: Manojkumar Gadiyar House Number : 4 Age : 28 Gender : Male</p> <p>Photo</p> <p>Available</p> | <p>270</p> <p>ZOV0337527</p> <p>Name : Shyam Naik Fathers Name: Shiva Naik House Number : 4 Age : 46 Gender : Male</p> <p>Photo</p> <p>Available</p> |

| | | |
|---|---|---|
| <p>271</p> <p>ZOV0348219</p> <p>Name : Anushri Majgoaker Fathers Name: Ashok Majgoaker House Number : 10 Age : 28 Gender : Female</p> <p>Photo Available</p> | <p>S 272</p> <p>ZOV0333211</p> <p>Name : Almas Shaikh Fathers Name: Latif Shaikh House Number : 14 Age : 28 Gender : Female</p> <p>Photo Available</p> | <p>273</p> <p>ZOV0432500</p> <p>Name : Akhita Shaikh Others : Shabnam Sheikh House Number : 14 Age : 22 Gender : Female</p> <p>Photo Available</p> |
| <p>274</p> <p>ZOV0421263</p> <p>Name : Shabnam Lafit Abdul Sheikh Fathers Name: Latif Abdul Sheikh House Number : 14 Age : 21 Gender : Female</p> <p>Photo Available</p> | <p>S 275</p> <p>ZOV0313338</p> <p>Name : Sneha Naik Fathers Name: Santosh Naik House Number : 18 Age : 29 Gender : Female</p> <p>Photo Available</p> | <p>276</p> <p>MXV0080564</p> <p>Name : Lalita Sawant Husbands Name: Chandrakant Sawant House Number : 18 Age : 79 Gender : Female</p> <p>Photo Available</p> |
| <p>277</p> <p>ZOV0340786</p> <p>Name : Sanish Sawant Fathers Name: Sanjay Sawant House Number : 18 Age : 28 Gender : Male</p> <p>Photo Available</p> | <p>278</p> <p>ZOV0340828</p> <p>Name : Sunanda Sawant Fathers Name: Sanjay Sawant House Number : 18 Age : 26 Gender : Female</p> <p>Photo Available</p> | <p>279</p> <p>ZOV0374397</p> <p>Name : Saharsha Sawant Fathers Name: Sandeep Sawant House Number : 18 Age : 24 Gender : Female</p> <p>Photo Available</p> |
| <p>280</p> <p>ZOV0425017</p> <p>Name : Saish Sawant Fathers Name: Sandeep Sawant House Number : 18, Age : 21 Gender : Male</p> <p>Photo Available</p> | <p>281</p> <p>ZOV0300434</p> <p>Name : Zeeba Nadaf Fathers Name: Zahid Nadaf House Number : 20 Age : 30 Gender : Female</p> <p>Photo Available</p> | <p>282</p> <p>ZOV0187047</p> <p>Name : Sandeep S. Naik Fathers Name: Sashikant Naik House Number : 21 Age : 53 Gender : Male</p> <p>Photo Available</p> |
| <p>283</p> <p>ZOV0187419</p> <p>Name : Mohammed Yusuf Panigatti Fathers Name: Mohammed Gous Panigatti House Number : 21 Age : 73 Gender : Male</p> <p>Photo Available</p> | <p>S 284</p> <p>ZOV0185546</p> <p>Name : Fatima Panigatti Fathers Name: Mohammed Gous Panigatti House Number : 21 Age : 67 Gender : Female</p> <p>Photo Available</p> | <p>S 285</p> <p>ZOV0185504</p> <p>Name : Mohamed Rafiq Panigatti Fathers Name: Mohammed Yusuf Panigatti House Number : 21 Age : 47 Gender : Male</p> <p>Photo Available</p> |
| <p>286</p> <p>ZOV0217646</p> <p>Name : Abdul Munaf Panigatti Fathers Name: Mohamed Yusuf Panigatti House Number : 21 Age : 41 Gender : Male</p> <p>Photo Available</p> | <p>287</p> <p>ZOV0185603</p> <p>Name : Ashpak Panigatti Fathers Name: Mohaumed Yusuf Panigatti House Number : 21 Age : 34 Gender : Male</p> <p>Photo Available</p> | <p>288</p> <p>ZOV0240010</p> <p>Name : Rohit Rane Fathers Name: Shivraj Rane House Number : 21 Age : 33 Gender : Male</p> <p>Photo Available</p> |
| <p>289</p> <p>ZOV0329649</p> <p>Name : Subimal Das Fathers Name: Subikash Das House Number : 23 Age : 58 Gender : Male</p> <p>Photo Available</p> | <p>290</p> <p>ZOV0185694</p> <p>Name : Firoz Khan Patan Fathers Name: Mohamad Patan House Number : 23 Age : 38 Gender : Male</p> <p>Photo Available</p> | <p>291</p> <p>ZOV0186957</p> <p>Name : Nashima Patan Fathers Name: Mohamad Patan House Number : 23 Age : 34 Gender : Female</p> <p>Photo Available</p> |
| <p>292</p> <p>ZOV0318626</p> <p>Name : Jameer Patel Fathers Name: Yakub Sab Patel House Number : 23 Age : 30 Gender : Male</p> <p>Photo Available</p> | <p>293</p> <p>ZOV0437079</p> <p>Name : HAMRAN SAYED Mothers Name: HAROON SAYED House Number : 34 Age : 20 Gender : Male</p> <p>Photo Available</p> | <p>294</p> <p>ZOV0436154</p> <p>Name : Surekha Ingale Mothers Name: Lilabai Ingale House Number : 41 Age : 22 Gender : Female</p> <p>Photo Available</p> |
| <p>295</p> <p>ZOV0441303</p> <p>Name : VISHWANATH INGALE Fathers Name: YALLAPPA INGLE House Number : 41 Age : 19 Gender : Male</p> <p>Photo Available</p> | <p>296</p> <p>ZOV0287318</p> <p>Name : Santosh Buri Fathers Name: Maruti Buri House Number : 41/1 Age : 31 Gender : Male</p> <p>Photo Available</p> | <p>297</p> <p>ZOV0382218</p> <p>Name : Shobha Buri Husbands Name: Santosh Buri House Number : 41/1 Age : 26 Gender : Female</p> <p>Photo Available</p> |
| <p>S 298</p> <p>ZOV0272922</p> <p>Name : Jose Gonsalves Fathers Name: Jeron Gonsalves House Number : 41/1 Age : 72 Gender : Male</p> <p>Photo Available</p> | <p>299</p> <p>ZOV0414334</p> <p>Name : Mahesh Halgi Fathers Name: Mallappa Halgi House Number : 41/1 Age : 22 Gender : Male</p> <p>Photo Available</p> | <p>300</p> <p>ZOV0287326</p> <p>Name : Jagadish Halgi Fathers Name: Mallappa Halgi House Number : 41/1 Age : 31 Gender : Male</p> <p>Photo Available</p> |

| | | |
|--|---|---|
| <p>301</p> <p>ZOV0420190</p> <p>Name : Akash Hasmani Fathers Name: Shivanappa Hasmani House Number : 41/1 Age : 22 Gender : Male</p> <p>Photo</p> <p>Available</p> | <p>302</p> <p>ZOV0419507</p> <p>Name : Gouresh Hosamani Fathers Name: Shivanappa Hasmani House Number : 41/1 Age : 24 Gender : Male</p> <p>Photo</p> <p>Available</p> | <p>303</p> <p>MXY1005321</p> <p>Name : Varsha Shinkre Husbands Name: Jagannath Shinkre House Number : 41/1 Age : 49 Gender : Female</p> <p>Photo</p> <p>Available</p> |
| <p>304</p> <p>MXY0232405</p> <p>Name : Shashikala Naik Husbands Name: Shashikant Naik House Number : 41/3 Age : 74 Gender : Female</p> <p>Photo</p> <p>Available</p> | <p>305</p> <p>ZOV0062497</p> <p>Name : Sandesh Naik Fathers Name: Shashikant Naik House Number : 41/3 Age : 52 Gender : Male</p> <p>Photo</p> <p>Available</p> | <p>306</p> <p>ZOV0187427</p> <p>Name : Laxmikant Naik Fathers Name: Shashikant Naik House Number : 41/3 Age : 54 Gender : Male</p> <p>Photo</p> <p>Available</p> |
| <p>307</p> <p>MXY7751381</p> <p>Name : Latika Naik Husbands Name: Laxmikant Naik House Number : 41/3 Age : 45 Gender : Female</p> <p>Photo</p> <p>Available</p> | <p>308</p> <p>MXY1327576</p> <p>Name : Manisha Kavthanker Fathers Name: Vithoba Kavthanker House Number : 41/4 Age : 39 Gender : Female</p> <p>Photo</p> <p>Available</p> | <p>309</p> <p>ZOV0398578</p> <p>Name : Suchita Shinkre Husbands Name: Shailendra Shinkre House Number : 41/4 Age : 59 Gender : Female</p> <p>Photo</p> <p>Available</p> |
| <p>310</p> <p>ZOV0398586</p> <p>Name : Shalendra Shinkre Fathers Name: Janardan Shinkre House Number : 41/4 Age : 58 Gender : Male</p> <p>Photo</p> <p>Available</p> | <p>311</p> <p>ZOV0377416</p> <p>Name : Neha Shinkre Fathers Name: Jagannath Shinkre House Number : 41/5 Age : 24 Gender : Female</p> <p>Photo</p> <p>Available</p> | <p>S 312</p> <p>MXY0080630</p> <p>Name : Mahadev Parkar Fathers Name: Tilu Parkar House Number : 41/7 Age : 85 Gender : Male</p> <p>Photo</p> <p>Available</p> |
| <p>313</p> <p>ZOV0294835</p> <p>Name : Durgavva Baddiganni Husbands Name: Ningappa Baddiganni House Number : 41/8 Age : 43 Gender : Female</p> <p>Photo</p> <p>Available</p> | <p>314</p> <p>ZOV0333195</p> <p>Name : Komal Ingle Fathers Name: Yalappa Ingle House Number : 41/8 Age : 27 Gender : Female</p> <p>Photo</p> <p>Available</p> | <p>315</p> <p>ZOV0390823</p> <p>Name : Parvatibai Kaisare Husbands Name: Anand Kaisare House Number : 41/10 Age : 93 Gender : Female</p> <p>Photo</p> <p>Available</p> |
| <p>316</p> <p>ZOV0390815</p> <p>Name : Vishnu Kaisare Fathers Name: Anand Kaisare House Number : 41/10 Age : 69 Gender : Male</p> <p>Photo</p> <p>Available</p> | <p>317</p> <p>ZOV0186080</p> <p>Name : Yatin Kaisare Fathers Name: Anand Kaisare House Number : 41/10 Age : 62 Gender : Male</p> <p>Photo</p> <p>Available</p> | <p>318</p> <p>MXY7751688</p> <p>Name : Seema Kaisare Husbands Name: Yatin Kaisare House Number : 41/10 Age : 54 Gender : Female</p> <p>Photo</p> <p>Available</p> |
| <p>319</p> <p>ZOV0426890</p> <p>Name : Tanu Kaisare Husbands Name: Balkrishna Kaisare House Number : 41/10 Age : 27 Gender : Female</p> <p>Photo</p> <p>Available</p> | <p>320</p> <p>ZOV0391128</p> <p>Name : Jeetabai Ingale Husbands Name: Parshuram Ingale House Number : 41/12 Age : 64 Gender : Female</p> <p>Photo</p> <p>Available</p> | <p>321</p> <p>MXY1384940</p> <p>Name : Mahadev Ingale Fathers Name: Parshuram Ingale House Number : 41/12 Age : 43 Gender : Male</p> <p>Photo</p> <p>Available</p> |
| <p>322</p> <p>MXY1327659</p> <p>Name : Krishna Ingale Fathers Name: Parshuram Ingale House Number : 41/12 Age : 42 Gender : Male</p> <p>Photo</p> <p>Available</p> | <p>323</p> <p>ZOV0272948</p> <p>Name : Savita Ingale Husbands Name: Mahadev Ingale House Number : 41/12 Age : 38 Gender : Female</p> <p>Photo</p> <p>Available</p> | <p>324</p> <p>ZOV0239988</p> <p>Name : Santosh Ganachari Fathers Name: Sadashiv Ganachari House Number : 41/13 Age : 32 Gender : Male</p> <p>Photo</p> <p>Available</p> |
| <p>325</p> <p>ZOV0187039</p> <p>Name : Sanjay S. Naik Fathers Name: Shashikant Naik House Number : 41/13 Age : 50 Gender : Male</p> <p>Photo</p> <p>Available</p> | <p>326</p> <p>ZOV0187294</p> <p>Name : Sangeeta S. Naik Husbands Name: Sanjay Naik House Number : 41/13 Age : 48 Gender : Female</p> <p>Photo</p> <p>Available</p> | <p>327</p> <p>ZOV0415489</p> <p>Name : Sali Naik Fathers Name: Laxmikant Naik House Number : 41/13 Age : 22 Gender : Female</p> <p>Photo</p> <p>Available</p> |
| <p>328</p> <p>ZOV0443903</p> <p>Name : Sanisha Naik Fathers Name: Laxmikant Naik House Number : 41/13 Age : 18 Gender : Female</p> <p>Photo</p> <p>Available</p> | <p>329</p> <p>ZOV0187237</p> <p>Name : Shital Rane Husbands Name: Shivraj Rane House Number : 41/13 Age : 64 Gender : Female</p> <p>Photo</p> <p>Available</p> | <p>330</p> <p>ZOV0313320</p> <p>Name : Rahee Rane Fathers Name: Shivraj Rane House Number : 41/13 Age : 29 Gender : Female</p> <p>Photo</p> <p>Available</p> |

| | | |
|--|--|---|
| <p>331</p> <p>ZOV0063032</p> <p>Name : Maheshri Mathakar Fathers Name: Meghasham Mathakar House Number : 41/14 Age : 41 Gender : Female</p> <p>Photo</p> <p>Available</p> | <p>332</p> <p>YPS0320853</p> <p>Name : Shabdali Chipkar Fathers Name: Shashikant Chipkar House Number : 41/15 Age : 28 Gender : Female</p> <p>Photo</p> <p>Available</p> | <p>333</p> <p>ZOV0371963</p> <p>Name : Ashwini Savaigekar Husbands Name: Sandesh Savaigekar House Number : 41/15 Age : 29 Gender : Female</p> <p>Photo</p> <p>Available</p> |
| <p>334</p> <p>MXY0080887</p> <p>Name : Nalini Sawalgekar Husbands Name: Krishna Sawalgekar House Number : 41/15 Age : 69 Gender : Female</p> <p>Photo</p> <p>Available</p> | <p>335</p> <p>MXY1005446</p> <p>Name : Rajesh Sawalgekar Fathers Name: Krishna Sawalgekar House Number : 41/15 Age : 45 Gender : Male</p> <p>Photo</p> <p>Available</p> | <p>336</p> <p>MXY1005453</p> <p>Name : Sandesh Sawalgekar Fathers Name: Krishna Sawalgekar House Number : 41/15 Age : 43 Gender : Male</p> <p>Photo</p> <p>Available</p> |
| <p>337</p> <p>ZOV0156158</p> <p>Name : Koyar Padwalkar Fathers Name: Ram Padwalkar House Number : 41/16 Age : 72 Gender : Male</p> <p>Photo</p> <p>Available</p> | <p>338</p> <p>ZOV0256917</p> <p>Name : Kavita Padwalkar Husbands Name: Koyar Padwalkar House Number : 41/16 Age : 55 Gender : Female</p> <p>Photo</p> <p>Available</p> | <p>339</p> <p>ZOV0156109</p> <p>Name : Rupesh Padwalkar Fathers Name: Koyar Padwalkar House Number : 41/16 Age : 38 Gender : Male</p> <p>Photo</p> <p>Available</p> |
| <p>340</p> <p>ZOV0380030</p> <p>Name : Riya Padwalkar Husbands Name: Rupesh Padwalkar House Number : 41/16 Age : 37 Gender : Female</p> <p>Photo</p> <p>Available</p> | <p>341</p> <p>ZOV0239996</p> <p>Name : Rupali Padwalkar Fathers Name: Koyar Padwalkar House Number : 41/16 Age : 32 Gender : Female</p> <p>Photo</p> <p>Available</p> | <p>342</p> <p>ZOV0194811</p> <p>Name : Hanumant Naik Fathers Name: Ramray Naik House Number : 41/16 Age : 54 Gender : Male</p> <p>Photo</p> <p>Available</p> |
| <p>343</p> <p>ZOV0192146</p> <p>Name : Hema Naik Husbands Name: Hanumant Naik House Number : 41/18 Age : 49 Gender : Female</p> <p>Photo</p> <p>Available</p> | <p>344</p> <p>ZOV0287367</p> <p>Name : Abhishek Naik Fathers Name: Hanumant Naik House Number : 41/18 Age : 30 Gender : Male</p> <p>Photo</p> <p>Available</p> | <p>345</p> <p>ZOV0340836</p> <p>Name : Ankita Naik Fathers Name: Hanumant Naik House Number : 41/18 Age : 26 Gender : Female</p> <p>Photo</p> <p>Available</p> |
| <p>346</p> <p>MXY7751167</p> <p>Name : Tukaram Naik Fathers Name: Popat Naik House Number : 41/19 Age : 67 Gender : Male</p> <p>Photo</p> <p>Available</p> | <p>347</p> <p>MXY0233155</p> <p>Name : Gajanan Naik Fathers Name: Popat Naik House Number : 41/19 Age : 59 Gender : Male</p> <p>Photo</p> <p>Available</p> | <p>348</p> <p>ZOV0185454</p> <p>Name : Sharad Naik Fathers Name: Popat Naik House Number : 41/19 Age : 57 Gender : Male</p> <p>Photo</p> <p>Available</p> |
| <p>349</p> <p>ZOV0391110</p> <p>Name : Santosh Naik Fathers Name: Popat Naik House Number : 41/19 Age : 57 Gender : Male</p> <p>Photo</p> <p>Available</p> | <p>350</p> <p>MXY7751498</p> <p>Name : Maya Naik Husbands Name: Gajanan Naik House Number : 41/19 Age : 54 Gender : Female</p> <p>Photo</p> <p>Available</p> | <p>351</p> <p>MXY7751563</p> <p>Name : Sharada Naik Husbands Name: Sharad Naik House Number : 41/19 Age : 52 Gender : Female</p> <p>Photo</p> <p>Available</p> |
| <p>352</p> <p>MXY7765662</p> <p>Name : Lata Naik Husbands Name: Shyamsunder Naik House Number : 41/19 Age : 51 Gender : Female</p> <p>Photo</p> <p>Available</p> | <p>353</p> <p>ZOV0191056</p> <p>Name : Laxmi Naik Husbands Name: Tukaram Naik House Number : 41/19 Age : 51 Gender : Female</p> <p>Photo</p> <p>Available</p> | <p>354</p> <p>ZOV0061986</p> <p>Name : Sumitra Naik Husbands Name: Santosh Naik House Number : 41/19 Age : 49 Gender : Female</p> <p>Photo</p> <p>Available</p> |
| <p>355</p> <p>ZOV0275537</p> <p>Name : Tulshidas Naik Fathers Name: Tukaram Naik House Number : 41/19 Age : 33 Gender : Male</p> <p>Photo</p> <p>Available</p> | <p>356</p> <p>ZOV0275560</p> <p>Name : Yogesh Naik Fathers Name: Tukaram Naik House Number : 41/19 Age : 32 Gender : Male</p> <p>Photo</p> <p>Available</p> | <p>357</p> <p>ZOV0348755</p> <p>Name : Jairaj Naik Fathers Name: Tukaram Naik House Number : 41/19 Age : 28 Gender : Male</p> <p>Photo</p> <p>Available</p> |
| <p>358</p> <p>ZOV0348763</p> <p>Name : Jayesh Naik Fathers Name: Tukaram Naik House Number : 41/19 Age : 28 Gender : Male</p> <p>Photo</p> <p>Available</p> | <p>359</p> <p>ZOV0326033</p> <p>Name : Nikita Naik Fathers Name: Sharad Naik House Number : 41/19 Age : 28 Gender : Female</p> <p>Photo</p> <p>Available</p> | <p>360</p> <p>ZOV0348532</p> <p>Name : Tanvesh Naik Fathers Name: Sharad Naik House Number : 41/19 Age : 27 Gender : Male</p> <p>Photo</p> <p>Available</p> |

| | | | | | |
|---|----------------------------------|---|----------------------------------|--|----------------------------------|
| 361 Name : Vivek Naik Fathers Name: Gajanan Naik House Number : 41/19 Age : 23 Gender : Male | ZOV0416032 Photo Available | 362 Name : Omkar Naik Fathers Name: Sharad Naik House Number : 41/19 Age : 22 Gender : Male | ZOV0415497 Photo Available | 363 Name : Soham Naik Fathers Name: Santosh Naik House Number : 41/19 Age : 22 Gender : Male | ZOV0416545 Photo Available |
| 364 Name : Swayam Naik Fathers Name: Santosh House Number : 41/19 Age : 20 Gender : Male | ZOV0432344 Photo Available | 365 Name : Smita Mandrekar Husbands Name: Shrikant Mandrekar House Number : 41/20 Age : 64 Gender : Female | ZOV0391078 Photo Available | 366 Name : Sunnish Mandrekar Fathers Name: Shrikant Mandrekar House Number : 41/20 Age : 39 Gender : Male | MXY1385467 Photo Available |
| 367 Name : Nikita Sunnish Mandrekar Husbands Name: Sunnish Mandrekar House Number : 41/20 Age : 30 Gender : Female | ZOV0443515 Photo Available | S 368 Name : Subhash Hardikar Fathers Name: Devdas Hardikar House Number : 41/21 Age : 72 Gender : Male | ZOV0185827 Photo Available | 369 Name : Shobhavati Hardikar Husbands Name: Subhash Hardikar House Number : 41/21 Age : 64 Gender : Female | ZOV0391060 Photo Available |
| 370 Name : Deepak Hardikar Fathers Name: Subhash Hardikar House Number : 41/21 Age : 41 Gender : Male | ZOV0187567 Photo Available | 371 Name : Dipti Hardikar Fathers Name: Subhash Hardikar House Number : 41/21 Age : 39 Gender : Female | ZOV0065177 Photo Available | 372 Name : Sunanda Torle Fathers Name: Maruti Torle House Number : 41/2-(2) Age : 47 Gender : Female | ZOV0280404 Photo Available |
| 373 Name : Jacinta Gomes Husbands Name: Alex D'Souza House Number : 41/22 Age : 72 Gender : Female | ZOV0391052 Photo Available | 374 Name : Reshmabi Husbands Name: Tajudin Shaikh House Number : 41/28 Age : 51 Gender : Female | MXY0232967 Photo Available | 375 Name : Hassan Shaikh Fathers Name: Gafoor Shaikh House Number : 41/28 Age : 54 Gender : Male | MXY0232918 Photo Available |
| 376 Name : Kausar Shaikh Muzawar Husbands Name: Hassan Shaikh Muzawar House Number : 41/28 Age : 43 Gender : Female | MXY0232975 Photo Available | 377 Name : Tanzir Fathers Name: Tajudin Muzavar xec House Number : 41/28 Age : 25 Gender : Male | ZOV0357103 Photo Available | 378 Name : tajudin muzavar xec Fathers Name: xec gafur muzavar xec House Number : 41/28 Age : 56 Gender : Male | MXY0232900 Photo Available |
| 379 Name : Ram Shilkar Fathers Name: Keshav Shilkar House Number : 41/30 Age : 79 Gender : Male | ZOV0398610 Photo Available | 380 Name : Sarita Shilkar Husbands Name: Ram Shilkar House Number : 41/30 Age : 73 Gender : Female | ZOV0398602 Photo Available | 381 Name : Dhiraj Shilkar Fathers Name: Ram Shilkar House Number : 41/30 Age : 46 Gender : Male | MXY0233023 Photo Available |
| 382 Name : Vidya Shilkar Husbands Name: Dhiraj Shilkar House Number : 41/30 Age : 44 Gender : Female | MXY1290923 Photo Available | S 383 Name : Naguesh Hardikar Fathers Name: Devdas Hardikar House Number : 41/38 Age : 71 Gender : Male | MXY1290329 Photo Available | 384 Name : KISHAN HARDIKER Fathers Name: NAGESH HARDIKER House Number : 41/33 Age : 28 Gender : Male | ZOV0329623 Photo Available |
| 385 Name : Rajani Nagueshkar Fathers Name: Chandravati Nagueshkar House Number : 41/33 Age : 69 Gender : Female | MXY0231043 Photo Available | 386 Name : Chandrakant Nagueshkar Fathers Name: Rajani Nagueshkar House Number : 41/33 Age : 46 Gender : Male | MXY0231050 Photo Available | 387 Name : Mustari Begam Panigatti Husbands Name: Hazrat Ali Panigatti House Number : 41/34 Age : 71 Gender : Female | ZOV0398594 Photo Available |
| 388 Name : Mustak Ahmed Panigatti Fathers Name: Hazrat Ali Panigatti House Number : 41/34 Age : 49 Gender : Male | MXY0232041 Photo Available | 389 Name : Shama Parvin Panigatti Husbands Name: Mustak Ahmed Panigatti House Number : 41/34 Age : 44 Gender : Female | MXY1291897 Photo Available | 390 Name : Aman Panigatti Fathers Name: Mustak Ahmed Panigatti House Number : 41/34 Age : 24 Gender : Male | ZOV0377382 Photo Available |

| | | | | | |
|---|----------------------------------|---|----------------------------------|---|----------------------------------|
| 391 Name : Adnan Panigatti Fathers Name: Mustak Panigatti House Number : 41/34 Age : 22 Gender : Male | ZOV0417584 Photo Available | 392 Name : Shakil Ahmed Shaikh Fathers Name: Imamsab Shaikh House Number : 41/42 Age : 60 Gender : Male | MXY1386697 Photo Available | 393 Name : Shahera Shaikh Husbands Name: Ikbal Shaikh House Number : 41/42 Age : 54 Gender : Female | ZOV0064501 Photo Available |
| 394 Name : Zarina Bi Shaikh Husbands Name: Shakil Ahmed Shaikh House Number : 41/42 Age : 49 Gender : Female | MXY1386689 Photo Available | 395 Name : Shainaz Shaikh Husbands Name: Shubhani Shaikh House Number : 41/42 Age : 44 Gender : Female | ZOV0064493 Photo Available | 396 Name : Shakif Shaikh Fathers Name: Shakil Shaikh House Number : 41/42 Age : 27 Gender : Male | ZOV0337097 Photo Available |
| 397 Name : Simran Shaikh Fathers Name: Iqbal Shaikh House Number : 41/42 Age : 24 Gender : Female | ZOV0419499 Photo Available | 398 Name : Subani Sheikh Fathers Name: Imamsab Sheikh House Number : 41/42 Age : 49 Gender : Male | ZOV0064600 Photo Available | 399 Name : Sandeep Sawant Fathers Name: Chandrakant Sawant House Number : 41/45 Age : 56 Gender : Male | MXY0232165 Photo Available |
| 400 Name : Sanjay Sawant Fathers Name: Chandrakant Sawant House Number : 41/45 Age : 54 Gender : Male | MXY0234104 Photo Available | 401 Name : Sanjita Sawant Husbands Name: Sandeep Sawant House Number : 41/45 Age : 51 Gender : Female | ZOV0065011 Photo Available | 402 Name : Sushama Sawant Husbands Name: Sanjay Sawant House Number : 41/45 Age : 50 Gender : Female | MXY0234500 Photo Available |
| 403 Name : Dnyaneshwar Ullegaddi Fathers Name: Vithal Ullegaddi House Number : 41/45 Age : 32 Gender : Male | ZOV0287334 Photo Available | 404 Name : Rohit Ullegaddi Fathers Name: Vithal Ullegaddi House Number : 41/45 Age : 24 Gender : Male | ZOV0372581 Photo Available | 405 Name : Kumar Manjilkar Fathers Name: Krishna Manjilkar House Number : 41/46 Age : 48 Gender : Male | ZOV0277103 Photo Available |
| 406 Name : Rajeshree Manjilkar Husbands Name: Kumar Manjilkar House Number : 41/46 Age : 43 Gender : Female | ZOV0277095 Photo Available | 407 Name : Sahil Manjilkar Fathers Name: Kumar Manjilkar House Number : 41/46 Age : 22 Gender : Male | ZOV0416297 Photo Available | 408 Name : Kamala Muthel Husbands Name: Doraswami Muthel House Number : 41/46 Age : 69 Gender : Female | MXY1362672 Photo Available |
| 409 Name : Karishma Mittal Fathers Name: Doraswami Mittal House Number : 41/46 Age : 28 Gender : Female | ZOV0340802 Photo Available | 410 Name : Doraswami Muttiyal Fathers Name: NA Muthel House Number : 41/46 Age : 63 Gender : Male | ZOV0152090 Photo Available | 411 Name : Asma Pirjade Husbands Name: Farook Pirjade House Number : 41/47 Age : 38 Gender : Female | ZOV0326017 Photo Available |
| 412 Name : IBRAHIM PIRJADE Fathers Name: ALTAF PIRJADE House Number : 41/47 Age : 20 Gender : Male | ZOV0436014 Photo Available | # 413 Name : Gausmoddin Peerjade Fathers Name: Muktar Pirzade House Number : 41/47 Age : 48 Gender : Male | MXY0231910 Photo Available | 414 Name : Aftab Pirzade Fathers Name: Muktar Pirzade House Number : 41/47 Age : 45 Gender : Male | MXY0231712 Photo Available |
| 415 Name : Shahien Gaus Pirzade Husbands Name: Mohidin Gaus Pirzade House Number : 41/47 Age : 41 Gender : Female | MXY0231902 Photo Available | 416 Name : Shamsad Pirzade Husbands Name: Aftab Pirzade House Number : 41/47 Age : 41 Gender : Female | ZOV0273359 Photo Available | 417 Name : Farook Pirzade Fathers Name: Muktar Pirzade House Number : 41/47 Age : 41 Gender : Male | MXY1328095 Photo Available |
| 418 Name : Mustaq Pirzade Fathers Name: Muktar Pirzade House Number : 41/47 Age : 39 Gender : Male | ZOV0273300 Photo Available | 419 Name : Shirin Pirzade Husbands Name: Mustaq Pirzade House Number : 41/47 Age : 29 Gender : Female | ZOV0329722 Photo Available | 420 Name : Sonam Madkaiker Husbands Name: Sandesh Madkaiker House Number : 41/48 Age : 37 Gender : Female | ZOV0417592 Photo Available |

| | | | | | | | | | | | |
|-----|------------|--|--------------------|-----|------------|--|--------------------|-----|------------|--|--------------------|
| 421 | MXY1326362 | Name : Sandesh Naik Fathers Name: Madhukar Naik House Number : 41/48 Age : 39 Gender : Male | Photo Available | 422 | MXY0233965 | Name : Mangala Bangar Husbands Name: Devendra Bangar House Number : 41/51 Age : 64 Gender : Female | Photo Available | 423 | MXY0080911 | Name : Ningoji Bangar Fathers Name: Devendra Bangar House Number : 41/51 Age : 47 Gender : Male | Photo Available |
| 424 | MXY0232728 | Name : Rajesh Bangar Fathers Name: Devendra Bangar House Number : 41/51 Age : 44 Gender : Male | Photo Available | 425 | MXY1328293 | Name : Deepa Bangar Husbands Name: Rajesh Bangar House Number : 41/51 Age : 41 Gender : Female | Photo Available | 426 | MXY1328301 | Name : Chaya Bangar Husbands Name: Ningoji Bangar House Number : 41/51 Age : 39 Gender : Female | Photo Available |
| 427 | MXY0234096 | Name : Retan Shinkre Husbands Name: Vaikunth Shinkre House Number : 41/5-1 Age : 89 Gender : Female | Photo Available | 428 | ZOV0398362 | Name : Jagannath Shinkre Fathers Name: Vaikunth Shinkre House Number : 41/5-1 Age : 57 Gender : Male | Photo Available | 429 | MXY1359140 | Name : Uma Lamani Husbands Name: Shankar Lamani House Number : 41/53 Age : 54 Gender : Female | Photo Available |
| 430 | ZOV0065516 | Name : Surayya Mokashi Husbands Name: Mukutsab Mokashi House Number : 41/56 Age : 67 Gender : Female | Photo Available | 431 | ZOV0065425 | Name : Nabisab Mokashi Fathers Name: Mukutsab Mokashi House Number : 41/56 Age : 43 Gender : Male | Photo Available | 432 | ZOV0065524 | Name : Shammibegam Mokashi Fathers Name: Mukutsab Mokashi House Number : 41/56 Age : 39 Gender : Female | Photo Available |
| 433 | ZOV0194449 | Name : Rasulsab Mokashi Fathers Name: Mukutsab Mokashi House Number : 41/56 Age : 39 Gender : Male | Photo Available | 434 | MXY0233288 | Name : Raphik Mulla Fathers Name: Mahboob Mulla House Number : 41/60 Age : 59 Gender : Male | Photo Available | 435 | MXY0233387 | Name : Aminabi Mulla Husbands Name: Raphik Mulla House Number : 41/60 Age : 51 Gender : Female | Photo Available |
| 436 | ZOV0256958 | Name : Tajodin Shaikh Fathers Name: Shaffee Shaikh House Number : 41/60 Age : 34 Gender : Male | Photo Available | 437 | ZOV0325993 | Name : Sidhartha Shinkre Fathers Name: Jitendra Shinkre House Number : 41/6(2) Age : 28 Gender : Male | Photo Available | 438 | ZOV0062109 | Name : Jitendra Shinkre Fathers Name: Janardan Shinkre House Number : 41/6-2 Age : 65 Gender : Male | Photo Available |
| 439 | ZOV0062091 | Name : Sneha Shinkre Husbands Name: Jitendra Shinkre House Number : 41/6-2 Age : 61 Gender : Female | Photo Available | 440 | ZOV0188763 | Name : Rohan Shinkre Fathers Name: Jitendra Shinkre House Number : 41/6-2 Age : 34 Gender : Male | Photo Available | 441 | ZOV0156133 | Name : Vibhaya Shinkre Husbands Name: Bipin Shinkre House Number : 41/63 Age : 46 Gender : Female | Photo Available |
| 442 | ZOV0398347 | Name : Supriya Shinkre Husbands Name: Audumber Shinkre House Number : 41/6-3 Age : 83 Gender : Female | Photo Available | 443 | ZOV0398339 | Name : Bipin Shinkre Fathers Name: Audumber Shinkre House Number : 41/6-3 Age : 49 Gender : Male | Photo Available | 444 | MXY7767999 | Name : Bidhan Shinkre Fathers Name: Audumber Shinkre House Number : 41/6-3 Age : 47 Gender : Male | Photo Available |
| 445 | MXY0232066 | Name : Biren Shinkre Fathers Name: Audumber Shinkre House Number : 41/6-3 Age : 43 Gender : Male | Photo Available | 446 | ZOV0372573 | Name : Amit Shinkre Fathers Name: Hitendra Shinkre House Number : 41/6(4) Age : 24 Gender : Male | Photo Available | 447 | ZOV0185801 | Name : Hitendra Shinkre Fathers Name: Janardan Shinkre House Number : 41/6-4 Age : 52 Gender : Male | Photo Available |
| 448 | MXY1358712 | Name : Aarti Shinkre Husbands Name: Hitendra Shinkre House Number : 41/6-4 Age : 51 Gender : Female | Photo Available | 449 | ZOV0391193 | Name : Santosh Kaisare Fathers Name: Balkrishna Kaisare House Number : 41/11-1 Age : 58 Gender : Male | Photo Available | 450 | ZOV0391185 | Name : Naresh Kaisare Fathers Name: Balkrishna Kaisare House Number : 41/11-1 Age : 54 Gender : Male | Photo Available |

| | | | | | |
|---|----------------------------------|--|----------------------------------|---|----------------------------------|
| 451 Name : Gaurish Kaisare Fathers Name: Rajan Kaisare House Number : 41/11-1 Age : 43 Gender : Male | ZOV0272856 Photo Available | 452 Name : Savaram Chowdary Fathers Name: Khetaji Chowdary House Number : 41/11-2 Age : 46 Gender : Male | MXY1328525 Photo Available | 453 Name : Saite Chowdary Husbands Name: Savaram Chowdary House Number : 41/11-2 Age : 42 Gender : Female | MXY1328533 Photo Available |
| 454 Name : Fakira Athar Fathers Name: Sayed Athar House Number : 41/11-3 Age : 60 Gender : Male | MXY1518851 Photo Available | 455 Name : Shamim Athar Husbands Name: Fakira Athar House Number : 41/11-3 Age : 54 Gender : Female | MXY1518638 Photo Available | 456 Name : Umar Faruque Athar Fathers Name: Fakira Athar House Number : 41/11-3 Age : 32 Gender : Male | ZOV0287292 Photo Available |
| 457 Name : Mujayed Athar Fathers Name: Fakira Athar House Number : 41/11-3 Age : 28 Gender : Male | ZOV0344317 Photo Available | 458 Name : Manuti Buri Fathers Name: Bhimappa Buri House Number : 41/1-a Age : 62 Gender : Male | MXY0232611 Photo Available | 459 Name : Renuka Buri Husbands Name: Maruti Buri House Number : 41/1-a Age : 51 Gender : Female | ZOV0185298 Photo Available |
| 460 Name : Mallappa Halagi Fathers Name: Shattappa Halagi House Number : 41/1-B Age : 53 Gender : Male | MXY0232652 Photo Available | 461 Name : Rukamavva Halagi Husbands Name: Mallappa Halagi House Number : 41/1-B Age : 49 Gender : Female | MXY0233148 Photo Available | 462 Name : Sidhappa Margol Fathers Name: Uddappa Margol House Number : 41/1-C Age : 69 Gender : Male | MXY0232629 Photo Available |
| 463 Name : Durgava Margol Husbands Name: Sidhappa Margol House Number : 41/1-C Age : 59 Gender : Female | MXY0232637 Photo Available | 464 Name : Venkatesh Margol Fathers Name: Sidhappa Margol House Number : 41/1-c Age : 38 Gender : Male | MXY1327006 Photo Available | 465 Name : Savita Hulligaddi Husbands Name: Ashok Hulligaddi House Number : 41/1-D Age : 29 Gender : Female | ZOV0358184 Photo Available |
| 466 Name : Yallavva Gadageppa Ullegaddi Husbands Name: Gadigappa Ullegaddi House Number : 41/1-D Age : 69 Gender : Female | MXY0232645 Photo Available | 467 Name : Gadigappa Ullegaddi Fathers Name: Durgappa Ullegaddi House Number : 41/1-d Age : 84 Gender : Male | ZOV0390849 Photo Available | 468 Name : Sumitra Ullegaddi Husbands Name: Vithal Ullegaddi House Number : 41/1-d Age : 49 Gender : Female | MXY1327600 Photo Available |
| 469 Name : Ashok Ullegaddi Fathers Name: Gadigappa Ullegaddi House Number : 41/1-d Age : 43 Gender : Male | MXY1005040 Photo Available | 470 Name : Vaikunth Naik Fathers Name: Venkatesh Naik House Number : 41/23-1 Age : 80 Gender : Male | ZOV0391045 Photo Available | 471 Name : Nirmala Naik Husbands Name: Vaikunth Naik House Number : 41/23-1 Age : 71 Gender : Female | ZOV0391037 Photo Available |
| 472 Name : Gourish Naik Fathers Name: Vaikunth Naik House Number : 41/23-1 Age : 42 Gender : Male | ZOV0256966 Photo Available | 473 Name : Shivprasad Naik Fathers Name: Vaikunth Naik House Number : 41/23-1 Age : 42 Gender : Male | ZOV0272864 Photo Available | 474 Name : Yogita Chari Husbands Name: Dnyaneshwar Chari House Number : 41/25/2 Age : 39 Gender : Female | GCM5152400 Photo Available |
| 475 Name : Sangivani Chari Husbands Name: Kashinath Chari House Number : 41/25-2 Age : 74 Gender : Female | ZOV0194894 Photo Available | 476 Name : Sudin Chari Fathers Name: Kashinath Chari House Number : 41/25-2 Age : 49 Gender : Male | ZOV0274209 Photo Available | 477 Name : Savitri Chari Husbands Name: Sudin Chari House Number : 41/25-2 Age : 44 Gender : Female | ZOV0274241 Photo Available |
| 478 Name : Suraj Chari Fathers Name: Kashinath Chari House Number : 41/25-2 Age : 44 Gender : Male | ZOV0274217 Photo Available | 479 Name : Dnyaneshwar Chari Fathers Name: Kashinath Chari House Number : 41/25-2 Age : 41 Gender : Male | ZOV0280388 Photo Available | # 480 Name : Sanjiv Gangadhar Prabhu Fathers Name: Gangadhar Prabhu House Number : 41/26-1 Age : 56 Gender : Male | MXY0230607 Photo Available |

| | | | | | |
|--|----------------------------------|--|----------------------------------|--|----------------------------------|
| 481 Name : Pradeep Prabhu Fathers Name: Gangadhar Prabhu House Number : 41/26-1 Age : 54 Gender : Male | ZOV0152223 Photo Available | 482 Name : Sanjana Prabhu Husbands Name: Sanjiv Prabhu House Number : 41/26-1 Age : 49 Gender : Female | MXY0230599 Photo Available | 483 Name : Sulbha Prabhu Husbands Name: Pradeep Prabhu House Number : 41/26-1 Age : 46 Gender : Female | MXY1333996 Photo Available |
| 484 Name : Salaudin Shaikh Fathers Name: Imam Shaikh House Number : 41/29-1 Age : 61 Gender : Male | MXY1327642 Photo Available | 485 Name : Julekhanbi Xec Husbands Name: Nur Mamad Xec House Number : 41/29-1 Age : 49 Gender : Female | ZOV0152330 Photo Available | 486 Name : SARFARAZ SHAIKH Mothers Name: FARIDA FAKIR FAKIR House Number : 41/29/6 Age : 23 Gender : Male | ZOV0439182 Photo Available |
| 487 Name : Mahamad Fakir Fathers Name: Ismail Fakir House Number : 41/29-6 Age : 79 Gender : Male | ZOV0398636 Photo Available | 488 Name : Noorjahan Fakir Husbands Name: Sabbir Faquir House Number : 41/29-6 Age : 63 Gender : Female | ZOV0185777 Photo Available | 489 Name : Shaufulla Fakir Fathers Name: Mahamad Fakir House Number : 41/29-6 Age : 52 Gender : Male | MXY0080739 Photo Available |
| 490 Name : Farida Fakir Husbands Name: Shaufulla Fakir House Number : 41/29-6 Age : 48 Gender : Female | ZOV0253146 Photo Available | 491 Name : Aktar Fakir Fathers Name: Mahamad Fakir House Number : 41/29-6 Age : 47 Gender : Male | MXY1328517 Photo Available | 492 Name : Mobina Fakir Husbands Name: Aktar Fakir House Number : 41/29-6 Age : 41 Gender : Female | MXY1328624 Photo Available |
| 493 Name : Shabbir Faquir Fathers Name: Mohamad Faquir House Number : 41/29-6 Age : 54 Gender : Male | ZOV0185769 Photo Available | 494 Name : Shanta Honnikol Husbands Name: Uddappa Honnikol House Number : 41/45-5 Age : 44 Gender : Female | MXY0233981 Photo Available | 495 Name : Ajay Honnikol Fathers Name: Uddappa Honnikol House Number : 41/45-5 Age : 26 Gender : Male | ZOV0342527 Photo Available |
| 496 Name : Arjun Honnikol Fathers Name: Uddappa Honnikol House Number : 41/45-5 Age : 23 Gender : Male | ZOV0385732 Photo Available | 497 Name : Hanumanth Konin Fathers Name: Kariappa Konin House Number : 41/45-5 Age : 42 Gender : Male | MXY1364850 Photo Available | 498 Name : Leelavati Konin Husbands Name: Hanumanth Konin House Number : 41/45-5 Age : 38 Gender : Female | MXY1364843 Photo Available |
| 499 Name : Luies Rodrigues Fathers Name: Anthony Rodrigues House Number : 41/45-5 Age : 46 Gender : Male | ZOV0366906 Photo Available | 500 Name : Diana Rodrigues Husbands Name: Luis Rodrigues House Number : 41/45-5 Age : 39 Gender : Female | ZOV0362277 Photo Available | 501 Name : Renuka Ullagaddi Husbands Name: Ramesh Ullagaddi House Number : 41/45-5 Age : 33 Gender : Female | ZOV0349183 Photo Available |
| 502 Name : Yellappa Ullegaddi Fathers Name: Durgappa Ullegaddi House Number : 41/45-5 Age : 72 Gender : Male | ZOV0398495 Photo Available | 503 Name : Nagavva Ullegaddi Husbands Name: Yellappa Ullegaddi House Number : 41/45-5 Age : 62 Gender : Female | ZOV0398487 Photo Available | S 504 Name : Ramesh Ullegaddi Fathers Name: Yellappa Ullegaddi House Number : 41/45-5 Age : 42 Gender : Male | MXY7751613 Photo Available |
| 505 Name : Rukama Ullegaddi Husbands Name: Krishna Ullegaddi House Number : 41/45-5 Age : 41 Gender : Female | MXY7751621 Photo Available | 506 Name : Lilabai Ingale Husbands Name: Yellappa Ingale House Number : 41/45-6 Age : 47 Gender : Female | MXY0233890 Photo Available | 507 Name : Jayshri Ingale Fathers Name: Yellappa Ingale House Number : 41/45-6 Age : 29 Gender : Female | ZOV0320655 Photo Available |
| 508 Name : Yellappa Ingale Fathers Name: Shantaram Ingale House Number : 41/45-6 Age : 54 Gender : Male | MXY0232363 Photo Available | 509 Name : Nirmala Ingale Fathers Name: Yellappa Ingale House Number : 41/45-6 Age : 26 Gender : Female | ZOV0353805 Photo Available | 510 Name : Radha Rakavat Husbands Name: Khushaldas Rakavat House Number : 41-45(7) Age : 38 Gender : Female | ZOV0191684 Photo Available |

| | | |
|--|--|--|
| <p>511</p> <p>ZOV0191676</p> <p>Name : Khushaldas Rakavat Fathers Name: Durgaram Rakawat House Number : 41-45(7) Age : 38 Gender : Male</p> <p>Photo</p> <p>Available</p> | <p>512</p> <p>MXY1334028</p> <p>Name : Andrew Godad Fathers Name: Caitan Godad House Number : 41/45-8 Age : 69 Gender : Male</p> <p>Photo</p> <p>Available</p> | <p>513</p> <p>ZOV0272930</p> <p>Name : Maria Godad Husbands Name: Andrew Godad House Number : 41/45-8 Age : 64 Gender : Female</p> <p>Photo</p> <p>Available</p> |
| <p>514</p> <p>MXY1330554</p> <p>Name : Joseph Godad Fathers Name: Andrew Godad House Number : 41/45-8 Age : 38 Gender : Male</p> <p>Photo</p> <p>Available</p> | <p>515</p> <p>ZOV0333229</p> <p>Name : Lavina Godad Husbands Name: Joseph Godad House Number : 41/45-8 Age : 36 Gender : Female</p> <p>Photo</p> <p>Available</p> | <p>516</p> <p>MXY1327105</p> <p>Name : Saguirodin Aga Fathers Name: Amid Aga House Number : 41/63-1 Age : 58 Gender : Male</p> <p>Photo</p> <p>Available</p> |
| <p>517</p> <p>ZOV0152215</p> <p>Name : Gulbodino Aga Fathers Name: Amid Aga House Number : 41/63-2 Age : 69 Gender : Male</p> <p>Photo</p> <p>Available</p> | <p>518</p> <p>ZOV0152199</p> <p>Name : Shahida Aga Husbands Name: Gulbodino Aga House Number : 41/63-2 Age : 57 Gender : Female</p> <p>Photo</p> <p>Available</p> | <p>519</p> <p>ZOV0290528</p> <p>Name : Qadiruddin Aga Fathers Name: Gulbodino Aga House Number : 41/63-2 Age : 34 Gender : Male</p> <p>Photo</p> <p>Available</p> |
| <p>520</p> <p>ZOV0290486</p> <p>Name : Gazala Aga Fathers Name: Gulbodino Aga House Number : 41/63-2 Age : 31 Gender : Female</p> <p>Photo</p> <p>Available</p> | <p>521</p> <p>ZOV0152181</p> <p>Name : Hussnodin Aga Fathers Name: Amid Aga House Number : 41/63-3 Age : 64 Gender : Male</p> <p>Photo</p> <p>Available</p> | <p>522</p> <p>ZOV0398321</p> <p>Name : Nazneen Aga Husbands Name: Hussnodin Aga House Number : 41/63-3 Age : 55 Gender : Female</p> <p>Photo</p> <p>Available</p> |
| <p>523</p> <p>ZOV0290460</p> <p>Name : Aqsa Aga Fathers Name: Hussnodin Aga House Number : 41/63-3 Age : 31 Gender : Female</p> <p>Photo</p> <p>Available</p> | <p>524</p> <p>ZOV0152207</p> <p>Name : BADRODINO AGA Fathers Name: Amid Aga House Number : 41/63-4 Age : 62 Gender : Male</p> <p>Photo</p> <p>Available</p> | <p>525</p> <p>ZOV0152157</p> <p>Name : Gulshan Aga Husbands Name: Badrodin Aga House Number : 41/63-4 Age : 59 Gender : Female</p> <p>Photo</p> <p>Available</p> |
| <p>526</p> <p>ZOV0290494</p> <p>Name : Zahooruddin Aga Fathers Name: Badrodin Aga House Number : 41/63-4 Age : 31 Gender : Male</p> <p>Photo</p> <p>Available</p> | <p>527</p> <p>ZOV0361311</p> <p>Name : Saifuddin Aga Fathers Name: Badrodin Aga House Number : 41/63-4 Age : 25 Gender : Male</p> <p>Photo</p> <p>Available</p> | <p>528</p> <p>ZOV0390807</p> <p>Name : Santosh Naik Fathers Name: Kashinath Naik House Number : 41/10-a Age : 59 Gender : Male</p> <p>Photo</p> <p>Available</p> |
| <p>529</p> <p>ZOV0390799</p> <p>Name : Gurudas Naik Fathers Name: Kashinath Naik House Number : 41/10-a Age : 54 Gender : Male</p> <p>Photo</p> <p>Available</p> | <p>530</p> <p>MXY0232413</p> <p>Name : Shubhada Naik Husbands Name: Santosh Naik House Number : 41/10-a Age : 51 Gender : Female</p> <p>Photo</p> <p>Available</p> | <p>531</p> <p>MXY0233486</p> <p>Name : Kishor Naik Fathers Name: Kashinath Naik House Number : 41/10-A Age : 47 Gender : Male</p> <p>Photo</p> <p>Available</p> |
| <p>532</p> <p>MXY1326735</p> <p>Name : Gauri Naik Husbands Name: Gurudas Naik House Number : 41/10-a Age : 47 Gender : Female</p> <p>Photo</p> <p>Available</p> | <p>533</p> <p>MXY1005438</p> <p>Name : Nitesh Naik Fathers Name: Kashinath Naik House Number : 41/10-A Age : 43 Gender : Male</p> <p>Photo</p> <p>Available</p> | <p>534</p> <p>ZOV0358697</p> <p>Name : Pranali Naik Fathers Name: Santosh Naik House Number : 41/10-A Age : 27 Gender : Female</p> <p>Photo</p> <p>Available</p> |
| <p>535</p> <p>ZOV0432278</p> <p>Name : Namrata Mazgaonker Mothers Name: Pramila Mazgoaker House Number : 41/10- C Age : 41 Gender : Female</p> <p>Photo</p> <p>Available</p> | <p>536</p> <p>ZOV0369280</p> <p>Name : Namita Mazgaonkar Husbands Name: Naveesh Mazgaonkar House Number : 41/10/C Age : 30 Gender : Female</p> <p>Photo</p> <p>Available</p> | <p>537</p> <p>ZOV0189647</p> <p>Name : Taramati Mazgoaker Husbands Name: Shantaram Mazgoaker House Number : 41/10-c Age : 79 Gender : Female</p> <p>Photo</p> <p>Available</p> |
| <p>538</p> <p>ZOV0189654</p> <p>Name : Prakash Mazgoaker Fathers Name: Shantaram Mazgoaker House Number : 41/10-c Age : 64 Gender : Male</p> <p>Photo</p> <p>Available</p> | <p>539</p> <p>ZOV0189662</p> <p>Name : Pramila Mazgoaker Husbands Name: Prakash Mazgoaker House Number : 41/10-c Age : 61 Gender : Female</p> <p>Photo</p> <p>Available</p> | <p>540</p> <p>MXY7738503</p> <p>Name : Ashok Mazgoaker Fathers Name: Shantaram Mazgoaker House Number : 41/10-C Age : 55 Gender : Male</p> <p>Photo</p> <p>Available</p> |

| | | |
|--|--|---|
| <p>541</p> <p>ZOV0390781</p> <p>Name : Nanda Mazgoaker Fathers Name: Shantaram Mazgoaker House Number : 41/10-c Age : 49 Gender : Male</p> <p>Photo</p> <p>Available</p> | <p>542</p> <p>ZOV0190165</p> <p>Name : Ankita Mazgoaker Husbands Name: Ashok Mazgoaker House Number : 41/10-c Age : 53 Gender : Female</p> <p>Photo</p> <p>Available</p> | <p>543</p> <p>MXY6823793</p> <p>Name : Kiran Mazgoaker Husbands Name: Nanda Mazgoaker House Number : 41/10-C Age : 47 Gender : Female</p> <p>Photo</p> <p>Available</p> |
| <p>544</p> <p>ZOV0064147</p> <p>Name : Santosh Mazgoaker Fathers Name: Shantaram Mazgoaker House Number : 41/10-c Age : 45 Gender : Male</p> <p>Photo</p> <p>Available</p> | <p>545</p> <p>MXY1326313</p> <p>Name : Sonal Mazgoaker Husbands Name: Santosh Mazgoaker House Number : 41/10-c Age : 39 Gender : Female</p> <p>Photo</p> <p>Available</p> | <p># 546</p> <p>MXY1326636</p> <p>Name : Navesh Prakash Mazgaonkar Fathers Name: Prakash Mazgoaker House Number : 41/10-c Age : 39 Gender : Male</p> <p>Photo</p> <p>Available</p> |
| <p>547</p> <p>MXY1326644</p> <p>Name : Rajesh Mazgoaker Fathers Name: Prakash Mazgoaker House Number : 41/10-c Age : 38 Gender : Male</p> <p>Photo</p> <p>Available</p> | <p>548</p> <p>ZOV0356303</p> <p>Name : Rachana Mazgoaker Husbands Name: Rajesh Mazgoaker House Number : 41/10-C Age : 31 Gender : Female</p> <p>Photo</p> <p>Available</p> | <p>S 549</p> <p>ZOV0272906</p> <p>Name : Savitri Harijan Husbands Name: Chandrappa Harijan House Number : 41/10-D Age : 54 Gender : Female</p> <p>Photo</p> <p>Available</p> |
| <p>550</p> <p>MXY1005602</p> <p>Name : Vishwanath Harijan Fathers Name: Chandrappa Harijan House Number : 41/10-d Age : 39 Gender : Male</p> <p>Photo</p> <p>Available</p> | <p>551</p> <p>ZOV0272823</p> <p>Name : Manjunath Harijan Fathers Name: Chandrappa Harijan House Number : 41/10-D Age : 38 Gender : Male</p> <p>Photo</p> <p>Available</p> | <p>552</p> <p>ZOV0346320</p> <p>Name : Santosh Hasmani Harijan Fathers Name: Shivappa Hasumani House Number : 41/10-E Age : 28 Gender : Male</p> <p>Photo</p> <p>Available</p> |
| <p>553</p> <p>MXY0232736</p> <p>Name : Shivappa Hosmani Fathers Name: Demappa Hosmani House Number : 41/10-E Age : 59 Gender : Male</p> <p>Photo</p> <p>Available</p> | <p>554</p> <p>MXY1291632</p> <p>Name : Mallappa Hosmani Husbands Name: Shivappa Hosmani House Number : 41/10-e Age : 56 Gender : Female</p> <p>Photo</p> <p>Available</p> | <p>555</p> <p>ZOV0349472</p> <p>Name : Harshada Mathkar Husbands Name: Purshottam @ Vitthal Mathkar House Number : 41/14-A Age : 34 Gender : Female</p> <p>Photo</p> <p>Available</p> |
| <p>556</p> <p>MXY1005487</p> <p>Name : Purshottam Matkar Fathers Name: Meghasham Matkar House Number : 41/14-A Age : 43 Gender : Male</p> <p>Photo</p> <p>Available</p> | <p>557</p> <p>MXY1329051</p> <p>Name : Mahesh Hiremat Fathers Name: Kalaiya Hiremat House Number : 41/16-a Age : 57 Gender : Male</p> <p>Photo</p> <p>Available</p> | <p>558</p> <p>MXY1329044</p> <p>Name : Shanta Hiremat Husbands Name: Mahesh Hiremat House Number : 41/16-a Age : 49 Gender : Female</p> <p>Photo</p> <p>Available</p> |
| <p>559</p> <p>MXY0080812</p> <p>Name : Anandi Naik Husbands Name: Anand Naik House Number : 41/16-D Age : 70 Gender : Female</p> <p>Photo</p> <p>Available</p> | <p>560</p> <p>MXY0080515</p> <p>Name : Ankush Naik Fathers Name: Ramray Naik House Number : 41/18-A Age : 64 Gender : Male</p> <p>Photo</p> <p>Available</p> | <p>561</p> <p>MXY0232421</p> <p>Name : Amita Naik Husbands Name: Ankush Naik House Number : 41/18-A Age : 55 Gender : Female</p> <p>Photo</p> <p>Available</p> |
| <p>562</p> <p>ZOV0273417</p> <p>Name : Madhu Gurav Fathers Name: Pandu Gurav House Number : 41/18-B Age : 54 Gender : Male</p> <p>Photo</p> <p>Available</p> | <p>563</p> <p>MXY0232223</p> <p>Name : Dilip Naik Fathers Name: Ramray Naik House Number : 41/18-B Age : 57 Gender : Male</p> <p>Photo</p> <p>Available</p> | <p>564</p> <p>MXY0232231</p> <p>Name : Deepika Naik Husbands Name: Dilip Naik House Number : 41/18-B Age : 55 Gender : Female</p> <p>Photo</p> <p>Available</p> |
| <p>565</p> <p>ZOV0272831</p> <p>Name : Hanumant Gurav Fathers Name: Govind Gurav House Number : 41/18-D Age : 48 Gender : Male</p> <p>Photo</p> <p>Available</p> | <p>566</p> <p>MXY1291798</p> <p>Name : Nagubai Pachangi Husbands Name: Udchappa Pachangi House Number : 41/19-a Age : 84 Gender : Female</p> <p>Photo</p> <p>Available</p> | <p>567</p> <p>MXY1291780</p> <p>Name : Kamalabai Pachangi Husbands Name: Dhondiram Pachangi House Number : 41/19-a Age : 47 Gender : Female</p> <p>Photo</p> <p>Available</p> |
| <p>568</p> <p>ZOV0333187</p> <p>Name : Mohan Pachangi Fathers Name: Dhondiram Pachangi House Number : 41/19-A Age : 27 Gender : Male</p> <p>Photo</p> <p>Available</p> | <p>569</p> <p>ZOV0357111</p> <p>Name : Ujwala Pachangi Fathers Name: Dhondiram Pachangi House Number : 41/19-A Age : 26 Gender : Female</p> <p>Photo</p> <p>Available</p> | <p>570</p> <p>MXY1005255</p> <p>Name : Sadashiv Ganachari Fathers Name: Laximan Ganachari House Number : 41/19-C Age : 63 Gender : Male</p> <p>Photo</p> <p>Available</p> |

| | | |
|---|--|--|
| <p>571</p> <p>MXY1005263</p> <p>Name : Hamakka Ganachari Husbands Name: Sadashiv Ganachari House Number : 41/19-C Age : 49 Gender : Female</p> <p>Photo Available</p> | <p>572</p> <p>ZOV0354100</p> <p>Name : Sachin Ganachari Fathers Name: Sadashiv Ganachari House Number : 41/19-C Age : 27 Gender : Male</p> <p>Photo Available</p> | <p>573</p> <p>MXY0230227</p> <p>Name : Bashir Shaik Fathers Name: Mahaboob Shaik House Number : 41/19-D Age : 67 Gender : Male</p> <p>Photo Available</p> |
| <p>574</p> <p>MXY0230201</p> <p>Name : Husena Shaik Husbands Name: Bashir Shaik House Number : 41/19-D Age : 54 Gender : Female</p> <p>Photo Available</p> | <p>575</p> <p>MXY1333947</p> <p>Name : Hussain Shaikh Fathers Name: Hussainsab Shaikh House Number : 41/28-d Age : 69 Gender : Male</p> <p>Photo Available</p> | <p>576</p> <p>ZOV0424440</p> <p>Name : Pratik Parbhat Sunwar Fathers Name: Parbhat Sunwar House Number : 41/33/A Age : 24 Gender : Male</p> <p>Photo Available</p> |
| <p>577</p> <p>MXY1326800</p> <p>Name : Kashinath Jadhav Fathers Name: Krishnaji Rao Jadhav House Number : 41/33-a Age : 83 Gender : Male</p> <p>Photo Available</p> | <p>578</p> <p>MXY1326388</p> <p>Name : Priyanka Sarwar Husbands Name: Parbat Sarwar House Number : 41/33-a Age : 50 Gender : Female</p> <p>Photo Available</p> | <p>579</p> <p>ZOV0398552</p> <p>Name : Zahira Patel Husbands Name: Madarsab Patel House Number : 41/42-a Age : 89 Gender : Female</p> <p>Photo Available</p> |
| <p>580</p> <p>MXY0233353</p> <p>Name : Appalal Patel Fathers Name: Nadarsab Patel House Number : 41/42-A Age : 58 Gender : Male</p> <p>Photo Available</p> | <p>581</p> <p>MXY0233361</p> <p>Name : Rehana Patel Husbands Name: Appalal Patel House Number : 41/42-A Age : 51 Gender : Female</p> <p>Photo Available</p> | <p>582</p> <p>MXY1327360</p> <p>Name : Salimaktar Patel Fathers Name: Yakubsahab Patel House Number : 41/42-A Age : 38 Gender : Male</p> <p>Photo Available</p> |
| <p>583</p> <p>ZOV0188250</p> <p>Name : Jeeber Patel Fathers Name: Appalal Patel House Number : 41/42-a Age : 34 Gender : Male</p> <p>Photo Available</p> | <p>584</p> <p>ZOV0398545</p> <p>Name : Mariambi Shaikh Husbands Name: Abdul Aziz Shaikh House Number : 41/42-b Age : 79 Gender : Female</p> <p>Photo Available</p> | <p>585</p> <p>ZOV0398537</p> <p>Name : Gulzar Shaikh Husbands Name: Karimmulla Shaikh House Number : 41/42-b Age : 58 Gender : Female</p> <p>Photo Available</p> |
| <p>586</p> <p>MXY0233395</p> <p>Name : Asipha Shaikh Husbands Name: Latif Shaikh House Number : 41/42-b Age : 54 Gender : Female</p> <p>Photo Available</p> | <p>587</p> <p>MXY1291582</p> <p>Name : Abdul Aziz Shaikh Fathers Name: Karimmulla Shaikh House Number : 41/42-b Age : 37 Gender : Male</p> <p>Photo Available</p> | <p>588</p> <p>ZOV0354480</p> <p>Name : Amareen Sheikh Fathers Name: Latif Sheikh House Number : 41/42-B Age : 26 Gender : Female</p> <p>Photo Available</p> |
| <p>589</p> <p>ZOV0398529</p> <p>Name : Hanumavva Wadar Husbands Name: Irappa Wadar House Number : 41/42-c Age : 74 Gender : Female</p> <p>Photo Available</p> | <p>590</p> <p>ZOV0065045</p> <p>Name : Shanta Wadar Husbands Name: Suresh Wadar House Number : 41/42-c Age : 49 Gender : Female</p> <p>Photo Available</p> | <p>591</p> <p>MXY1390624</p> <p>Name : Abhay Naik Fathers Name: Laximan Naik House Number : 41/51-a Age : 44 Gender : Male</p> <p>Photo Available</p> |
| <p>592</p> <p>MXY0080499</p> <p>Name : Deepak Kaisare Fathers Name: Balkrishna Kaisare House Number : 41/55-A Age : 66 Gender : Male</p> <p>Photo Available</p> | <p>593</p> <p>MXY0232082</p> <p>Name : Hema Kaisare Husbands Name: Deepak Kaisare House Number : 41/55-A Age : 59 Gender : Female</p> <p>Photo Available</p> | <p>594</p> <p>MXY0232256</p> <p>Name : Ravi Kaisare Fathers Name: Deepak Kaisare House Number : 41/55-A Age : 46 Gender : Male</p> <p>Photo Available</p> |
| <p>595</p> <p>MXY1364900</p> <p>Name : Prakash Kaisare Fathers Name: Deepak Kaisare House Number : 41/55-a Age : 38 Gender : Male</p> <p>Photo Available</p> | <p>596</p> <p>MXY1359132</p> <p>Name : Rekha Borkar Husbands Name: Ravi Borkar House Number : 41/11-3-a Age : 53 Gender : Female</p> <p>Photo Available</p> | <p>597</p> <p>ZOV0398651</p> <p>Name : Ambarsingh Hajeri Fathers Name: Ramsingh Hajeri House Number : 41/23-2-A Age : 67 Gender : Male</p> <p>Photo Available</p> |
| <p>598</p> <p>ZOV0398644</p> <p>Name : Jamuna Nagare Husbands Name: Gangaramsingh Nagare House Number : 41/23-2-a Age : 74 Gender : Female</p> <p>Photo Available</p> | <p>599</p> <p>MXY1327311</p> <p>Name : Damodar Gatti Fathers Name: Yallavva Gatti House Number : 41/29/7-d Age : 59 Gender : Male</p> <p>Photo Available</p> | <p>600</p> <p>MXY1327295</p> <p>Name : Maya Gatti Husbands Name: Damodar Gatti House Number : 41/29/7-d Age : 49 Gender : Female</p> <p>Photo Available</p> |

| | | | | | |
|---|----------------------------------|--|----------------------------------|---|----------------------------------|
| 601 Name : Prashila Naik Fathers Name: Ranganath Naik House Number : 43/6 Age : 46 Gender : Female | ZOV0273433 Photo Available | 602 Name : Vivekanand Volvoiker Fathers Name: Ranganath Volvoiker House Number : 43/6 Age : 50 Gender : Male | ZOV0248393 Photo Available | 603 Name : Diksha Naik Fathers Name: Vishnu Naik House Number : 43/7 Age : 27 Gender : Female | ZOV0357129 Photo Available |
| 604 Name : Indu Nayak Fathers Name: Rajaram Nayak House Number : 43/7 Age : 65 Gender : Female | ZOV0253021 Photo Available | 605 Name : Kusum Nayak Fathers Name: Rajaram Nayak House Number : 43/7 Age : 64 Gender : Female | ZOV0253005 Photo Available | 606 Name : Vishnu Nayak Fathers Name: Rajaram Nayak House Number : 43/7 Age : 64 Gender : Male | ZOV0253013 Photo Available |
| 607 Name : Namu Nayak Husbands Name: Vishnu Nayak House Number : 43/7 Age : 58 Gender : Female | ZOV0253039 Photo Available | 608 Name : Sunita Sahani Fathers Name: Ratansihng Sahani House Number : 43/7 Age : 37 Gender : Female | ZOV0275529 Photo Available | S 609 Name : Gaffar Sayed Fathers Name: Razak Sayed House Number : 43/1-14 Age : 70 Gender : Male | MXY1333392 Photo Available |
| 610 Name : Takdees Sayed Fathers Name: Abdul Gaffar Sayed House Number : 43/1-14 Age : 34 Gender : Female | ZOV0308205 Photo Available | 611 Name : Parveen Sayyed Husbands Name: Abdul Gaffar Sayyed House Number : 43/1-14 Age : 68 Gender : Female | MXY1333384 Photo Available | 612 Name : Imtiazuddin Kazi Fathers Name: Mustafa Kazi House Number : 43/1-15 Age : 70 Gender : Male | MXY0232504 Photo Available |
| 613 Name : Umme Habesbah Nadaf Fathers Name: Farook Nadaf House Number : 43/1/15/A Age : 21 Gender : Female | ZOV0439265 Photo Available | 614 Name : Umme Farook Nadaf Fathers Name: Farook Nadaf House Number : 43/115A Age : 21 Gender : Female | ZOV0443143 Photo Available | 615 Name : Mohamad Yasuf Nadaf Fathers Name: Gaususab Nadaf House Number : 43/1-15-a Age : 91 Gender : Male | ZOV0186270 Photo Available |
| 616 Name : Zahid Nadaf Fathers Name: Mohammad Yasuf Nadaf House Number : 43/1-15-A Age : 51 Gender : Male | ZOV0398214 Photo Available | 617 Name : Adila Nadaf Husbands Name: Zahid Nadaf House Number : 43/1-15-A Age : 47 Gender : Female | MXY0231118 Photo Available | 618 Name : Farook Nadaf Fathers Name: Mohammad Yasuf Nadaf House Number : 43/1-15-A Age : 46 Gender : Male | MXY0231787 Photo Available |
| 619 Name : Rehana Nadaf Husbands Name: Farook Nadaf House Number : 43/1-15-A Age : 44 Gender : Female | MXY0231126 Photo Available | 620 Name : Zuhab Nadaf Fathers Name: Zahid Nadaf House Number : 43/1-15-A Age : 26 Gender : Male | ZOV0357137 Photo Available | S 621 Name : Dattaprasad Naik Mothers Name: Mohini Naik House Number : 44 Age : 20 Gender : Male | ZOV0432377 Photo Available |
| 622 Name : Bharati Ingle Fathers Name: Kumar Ingle House Number : 45 Age : 26 Gender : Female | ZOV0366708 Photo Available | 623 Name : Kamala Ingle Husbands Name: Kumar Ingle House Number : 45 Age : 51 Gender : Female | ZOV0185975 Photo Available | 624 Name : Sunil Ingle Fathers Name: Kumar Ingle House Number : 45 Age : 33 Gender : Male | ZOV0240028 Photo Available |
| 625 Name : Najir Shaik Fathers Name: Basir Shaik House Number : 54 Age : 33 Gender : Male | ZOV0240036 Photo Available | 626 Name : Fatima Mokashi Husbands Name: Subhani Mokashi House Number : 56 Age : 33 Gender : Female | ZOV0326009 Photo Available | 627 Name : Nazmina Mulla Fathers Name: Rafik Mulla House Number : 60 Age : 31 Gender : Female | ZOV0303891 Photo Available |
| S 628 Name : Nazmin Mulla Fathers Name: Rafik Mulla House Number : 60 Age : 31 Gender : Female | ZOV0287342 Photo Available | 629 Name : Nejeer Ahamad Mulla Fathers Name: Rafiq Mulla House Number : 60 Age : 29 Gender : Male | ZOV0373886 Photo Available | 630 Name : Alisab Shaikh Fathers Name: Mahmudshfi Shaikh House Number : 63 Age : 41 Gender : Male | ZOV0240044 Photo Available |

| | | | | | |
|---|------------|--|------------|---|------------|
| 631 Name : Nassimbanu Shaikh Fathers Name: Mahmashif Shaikh House Number : 63 Age : 37 Gender : Female Photo Available | ZOV0240051 | 632 Name : Sahadev Vashetkar Fathers Name: Narayan Vashetkar House Number : 120/114 Age : 32 Gender : Male Photo Available | ZOV0240069 | 633 Name : Manasi Verenkar Husbands Name: Jayram Verenkar House Number : 121/23 Age : 41 Gender : Female Photo Available | ZOV0376509 |
| 634 Name : Manasi Verenkar Husbands Name: Jairam Verenkar House Number : 121/23 Age : 41 Gender : Female Photo Available | ZOV0432369 | 635 Name : Santoshi Naik Husbands Name: Santosh Naik House Number : 121/4 1 Age : 90 Gender : Female Photo Available | ZOV0369256 | 636 Name : Dayesh Bhatikar Fathers Name: Manohar Bhatikar House Number : 121/1-27 Age : 43 Gender : Male Photo Available | WBZ0470963 |
| 637 Name : Anannya Shet Verenkar Fathers Name: Anant J Shet Verenkar House Number : 121/24(1) Age : 20 Gender : Female Photo Available | ZOV0432526 | 638 Name : Anant Jairam Shet Verenkar Fathers Name: Jairam Shet Verenkar House Number : 121/24(1) Age : 59 Gender : Male Photo Available | ZOV0432385 | 639 Name : Laxmi Anant Shet Verenkar Husbands Name: Anant Jairam Shet Verenkar House Number : 121/24(1) Age : 51 Gender : Female Photo Available | ZOV0432450 |
| S 640 Name : Laxmi Anant Shet Verenkar Husbands Name: Anant Jairam Shet Verenkar House Number : 121/24(1) Age : 51 Gender : Female Photo Available | ZOV0435453 | 641 Name : Ruchi Raghuvir Sambary Fathers Name: Raghuvir Sambary Sambary House Number : 121/25/4 Age : 23 Gender : Female Photo Available | ZOV0416537 | 642 Name : Rakhi Rane Husbands Name: Nagraj Rane House Number : 121/25/7 Age : 40 Gender : Female Photo Available | ZOV0432393 |
| 643 Name : shriram shet verekar Fathers Name: abhay shet verekar House Number : 121/23/32 Age : 20 Gender : Male Photo Available | ZOV0432492 | 644 Name : Afreen Armar Husbands Name: Rafurjama Armar House Number : 121/25-19 Age : 36 Gender : Female Photo Available | ZOV0381715 | 645 Name : Yojana Sukhthankar Husbands Name: Devidas Sukhthankar House Number : 122/6 Age : 51 Gender : Female Photo Available | ZOV0156125 |
| 646 Name : Albina Coutinho Fathers Name: Benjamin Coutinho House Number : 124 Age : 37 Gender : Female Photo Available | MXV1368372 | 647 Name : Vijay Ingle Fathers Name: Rajaram Ingle House Number : 133 Age : 33 Gender : Male Photo Available | ZOV0240077 | 648 Name : AISHWARYA BELGAONKAR Husbands Name: JOTIBA BELGAONKAR House Number : 306 Age : 26 Gender : Female Photo Available | ZOV0432484 |
| 649 Name : KAVERI HOSMANI Husbands Name: MANJUNATH House Number : 431 Age : 24 Gender : Female Photo Available | ZOV0438929 | 650 Name : Kamala Naik Fathers Name: Shanker Naik House Number : 4153 Age : 37 Gender : Female Photo Available | ZOV0344325 | 651 Name : Krishna Naik Fathers Name: Shankar Naik House Number : 4153 Age : 34 Gender : Male Photo Available | ZOV0344309 |
| 652 Name : Kishan Naik Fathers Name: Shankar Naik House Number : 4153 Age : 28 Gender : Male Photo Available | ZOV0344291 | 653 Name : Saiprasad Naik Fathers Name: Anand Naik House Number : A-10 Age : 24 Gender : Male Photo Available | ZOV0372557 | 654 Name : Narendra Kumbhar Fathers Name: Chandrakant Kumbhar House Number : Bf-3 Age : 57 Gender : Male Photo Available | ZOV0340778 |
| 655 Name : Neeta Kumbhar Husbands Name: Narendra Kumbhar House Number : Bf-3 Age : 51 Gender : Female Photo Available | ZOV0340844 | 656 Name : Siddesh Majgaonkar Fathers Name: Nanda majgaonkar Majgaonkar House Number : C 10 Age : 22 Gender : Male Photo Available | ZOV0437087 | 657 Name : Kamlesh Majgaonkar Fathers Name: Nanda Majgaonkar House Number : C10 Age : 24 Gender : Male Photo Available | ZOV0381665 |
| 658 Name : Girish Shrivant Fathers Name: Subhash Shrivant House Number : E-35 Age : 23 Gender : Male Photo Available | ZOV0420471 | 659 Name : Islamuddin Aga Fathers Name: Husnuddin Aga House Number : E/46 Age : 27 Gender : Male Photo Available | ZOV0335745 | 660 Name : Mamta Bapat Husbands Name: Pankaj Kumar Bapat House Number : F F-1 Age : 55 Gender : Female Photo Available | ZOV0240093 |

| | | |
|--|---|--|
| <p>661</p> <p>ZOV0356329</p> <p>Name : Sameer Naik Fathers Name: Dinesh Naik House Number : F-1 Age : 45 Gender : Male</p> <p>Photo</p> <p>Available</p> | <p>662</p> <p>ZOV0377408</p> <p>Name : Arbaaz Mulla Fathers Name: Mulla Mohammad Iqbal House Number : F-1 Vinayak Appartment Age : 24 Gender : Male</p> <p>Photo</p> <p>Available</p> | <p>663</p> <p>ZOV0333203</p> <p>Name : Sufia Khatun Fathers Name: Mohammed Arif Khatun House Number : F-G-1 Age : 33 Gender : Female</p> <p>Photo</p> <p>Available</p> |
| <p>664</p> <p>ZOV0261578</p> <p>Name : Mohamad Arif Shaikh Fathers Name: Dad Ali Shaikh House Number : F-G-1 Age : 57 Gender : Male</p> <p>Photo</p> <p>Available</p> | <p>665</p> <p>ZOV0261602</p> <p>Name : Kursia Bibi Shaikh Husbands Name: Mohammed Arif Shaikh House Number : F-G-1 Age : 47 Gender : Female</p> <p>Photo</p> <p>Available</p> | <p>666</p> <p>ZOV0361303</p> <p>Name : Sarifa Khatun Shaikh Fathers Name: Mahammad Arif Sheikh House Number : F-G-1 Age : 25 Gender : Female</p> <p>Photo</p> <p>Available</p> |
| <p>667</p> <p>ZOV0354498</p> <p>Name : Siddarth Gawas Fathers Name: Rama Gawas House Number : F-2 Age : 25 Gender : Male</p> <p>Photo</p> <p>Available</p> | <p>668</p> <p>ZOV0361998</p> <p>Name : Dattaraj Revankar Fathers Name: Gurudas Revankar House Number : F-2 Age : 49 Gender : Male</p> <p>Photo</p> <p>Available</p> | <p>669</p> <p>ZOV0425934</p> <p>Name : Ajmat Khan Fathers Name: Umarali Nawaz Khan House Number : FF/2 Age : 22 Gender : Male</p> <p>Photo</p> <p>Available</p> |
| <p>670</p> <p>ZOV0329706</p> <p>Name : Naina Solanki Husbands Name: Lalith Kumar Solanki House Number : Ff-2 Age : 50 Gender : Female</p> <p>Photo</p> <p>Available</p> | <p>671</p> <p>ZOV0294843</p> <p>Name : Johnson Poulouse Fathers Name: M.L. Poulouse House Number : F.3 Age : 51 Gender : Male</p> <p>Photo</p> <p>Available</p> | <p>672</p> <p>ZOV0156141</p> <p>Name : Sangeeta Kolvekar Husbands Name: Shymsunder Kolvekar House Number : F/3 Age : 65 Gender : Female</p> <p>Photo</p> <p>Available</p> |
| <p>673</p> <p>ZOV0156174</p> <p>Name : Prasad Kolvekar Fathers Name: Shymsunder Kolvekar House Number : F/3 Age : 40 Gender : Male</p> <p>Photo</p> <p>Available</p> | <p>674</p> <p>ZOV0156166</p> <p>Name : Shyamsunder Kolvekar Fathers Name: Sitaram Kolvekar House Number : F-3 Age : 67 Gender : Male</p> <p>Photo</p> <p>Available</p> | <p>675</p> <p>ZOV0186007</p> <p>Name : Haji Cherkala Mohammed Fathers Name: Haji C.a. Hassainar House Number : F-3 Age : 63 Gender : Male</p> <p>Photo</p> <p>Available</p> |
| <p>676</p> <p>ZOV0282863</p> <p>Name : Santosh Kanchanali Fathers Name: Prabhakar Kanchanali House Number : FF.3 Sadashiv Plaza Age : 38 Gender : Male</p> <p>Photo</p> <p>Available</p> | <p>677</p> <p>TMN0196162</p> <p>Name : Priya Kanchanali Husbands Name: Santosh Kanchanali House Number : FF.3 Sadashiv Plaza Age : 39 Gender : Female</p> <p>Photo</p> <p>Available</p> | <p>678</p> <p>ZOV0215624</p> <p>Name : Girija Kanchanali Husbands Name: Prabhakar Kanchanali House Number : Ff-3 Age : 82 Gender : Female</p> <p>Photo</p> <p>Available</p> |
| <p>679</p> <p>ZOV0279877</p> <p>Name : Umakant Kanchanali Fathers Name: Prabhakar Kanchanali House Number : Ff-3 Age : 43 Gender : Male</p> <p>Photo</p> <p>Available</p> | <p>680</p> <p>ZOV0300210</p> <p>Name : C.N.Kushalappa Chenanda Fathers Name: Nansaiah Chenanda House Number : F-8 Age : 67 Gender : Male</p> <p>Photo</p> <p>Available</p> | <p>681</p> <p>ZOV0300228</p> <p>Name : C.K.Kishori Chenanda Husbands Name: C.N.Kushalappa Chenanda House Number : F-8 Age : 53 Gender : Female</p> <p>Photo</p> <p>Available</p> |
| <p>682</p> <p>ZOV0322412</p> <p>Name : C. K. Monnappa Chenanda Fathers Name: C.N.Kushalappa Chenanda House Number : F-8 Age : 29 Gender : Male</p> <p>Photo</p> <p>Available</p> | <p>683</p> <p>ZOV0374900</p> <p>Name : Pooja Kolvekar Husbands Name: Prasad Kolvekar House Number : F 03 Age : 33 Gender : Female</p> <p>Photo</p> <p>Available</p> | <p>684</p> <p>ZOV0277061</p> <p>Name : Surlia Khatun Fathers Name: Mohamad Arif Shaikh House Number : F1-4 Age : 31 Gender : Female</p> <p>Photo</p> <p>Available</p> |
| <p>685</p> <p>ZOV0425926</p> <p>Name : Nirali Bapat Fathers Name: Pankaj Bapat House Number : FF/1 5 Floor Age : 24 Gender : Female</p> <p>Photo</p> <p>Available</p> | <p>686</p> <p>ZOV0425959</p> <p>Name : Bhumika Bapat Fathers Name: Pankaj Bapat House Number : FF/1 5Floor Age : 21 Gender : Female</p> <p>Photo</p> <p>Available</p> | <p>687</p> <p>MXY1390343</p> <p>Name : Simi Husbands Name: Pradeep House Number : F-Fo-2,4f Age : 48 Gender : Female</p> <p>Photo</p> <p>Available</p> |
| <p>688</p> <p>MXY1390335</p> <p>Name : Pradeep Chellappan Fathers Name: Chenappan Chellappan House Number : F-Fo-2,4f Age : 57 Gender : Male</p> <p>Photo</p> <p>Available</p> | <p>689</p> <p>ZOV0385211</p> <p>Name : Amal P Fathers Name: Pradeep C House Number : FO-2, 4th floor, Wing 'A' Age : 23 Gender : Male</p> <p>Photo</p> <p>Available</p> | <p>690</p> <p>ZOV0361485</p> <p>Name : Adil Khan Fathers Name: Umar Ali Khan House Number : FF/2, 5th Floor Age : 25 Gender : Male</p> <p>Photo</p> <p>Available</p> |

| | | | | | |
|--|----------------------------------|--|----------------------------------|--|----------------------------------|
| 691 Name : Basheer C.A Fathers Name: Hassainar C.A House Number : F-3 1flr Age : 55 Gender : Male | ZOV0267518 Photo Available | 692 Name : Soniya Chenanda Fathers Name: C N Kushalappa Chenanda House Number : Flat No-8 4th Floor Age : 27 Gender : Female | ZOV0368506 Photo Available | 693 Name : Ravi Kumar Kumawat Fathers Name: Laxmi Narayan Kumawat House Number : Flat no 501 Age : 32 Gender : Male | ZOV0432286 Photo Available |
| 694 Name : Pooja Kumawat Husbands Name: Ravi Kumawat House Number : Flat No 501 Age : 28 Gender : Female | ZOV0432294 Photo Available | 695 Name : SOHAM MAHADEV SAWANT SAWANT Fathers Name: MAHADEV SAWANT SAWANT House Number : H.NO.TF-4 Age : 20 Gender : Male | ZOV0439190 Photo Available | 696 Name : Afrin Firoz khan Pathan Husbands Name: Firoz Khan Pathan House Number : H.No. 23 Age : 31 Gender : Female | ZOV0442145 Photo Available |
| 697 Name : Saloni Kaisare Fathers Name: Yatin Kaisare House Number : H no 41/10 Kaisare House Age : 26 Gender : Female | ZOV0377556 Photo Available | 698 Name : SANIKA BANGAR Fathers Name: NINGOJI BANGAR House Number : House No. 41/15 Age : 18 Gender : Female | ZOV0445130 Photo Available | 699 Name : Gousbi Nabisab Mokashi Husbands Name: Nabisab Mokashi House Number : H N 41/56 Age : 39 Gender : Female | ZOV0443176 Photo Available |
| 700 Name : FARDEEN FAKIR Fathers Name: SHABBIR FAQUIR House Number : H. No 41/29-6 Age : 20 Gender : Male | ZOV0444844 Photo Available | 701 Name : ABDUL NADAF Fathers Name: Lal Sab Nadap House Number : pmc/w-41/17 Age : 31 Gender : Male | ZOV0437129 Photo Available | 702 Name : LALSAB NADAF Fathers Name: Nabisab Nadaf House Number : pmc/w-1/41/17 Age : 55 Gender : Male | ZOV0437111 Photo Available |
| 703 Name : SALIMA NADAF Husbands Name: LALSAB NADAF House Number : pmc/w-1/41/17 Age : 52 Gender : Female | ZOV0437152 Photo Available | 704 Name : MOHAMMAD NADAF Fathers Name: LALSAB NADAF House Number : pmc/w-1/41/17 Age : 33 Gender : Male | ZOV0437160 Photo Available | 705 Name : AYESHA NADAF Fathers Name: Lalsab Nadaf House Number : pmc/w-1/41/17 Age : 29 Gender : Female | ZOV0437145 Photo Available |
| # 706 Name : Vidhya Gavade Fathers Name: Vijay Gaude House Number : S F 1 Age : 23 Gender : Female | ZOV0386037 Photo Available | 707 Name : Ismail Kariangala Fathers Name: Ketabba Kariangala House Number : Ss,B-1 Age : 61 Gender : Male | ZOV0313536 Photo Available | 708 Name : Naseema Kariangala Husbands Name: Ismail Kariangala House Number : Ss,B-1 Age : 45 Gender : Female | ZOV0313528 Photo Available |
| 709 Name : Armeeta Alias Reena Ravankar Husbands Name: Dattaraj Ravankar House Number : S-2 Age : 47 Gender : Female | ZOV0362004 Photo Available | 710 Name : Bimal Singha Keisam Fathers Name: Binod Bihari Singha Keisam House Number : S-3 Age : 51 Gender : Male | ZOV0366294 Photo Available | 711 Name : Gita Shree Keisam Husbands Name: Bimal Singa Keisam House Number : S-3 Age : 46 Gender : Female | ZOV0366302 Photo Available |
| 712 Name : Damodhar Prabhu Fathers Name: Dinkar Prabhu House Number : S-3 Age : 43 Gender : Male | ZOV0340760 Photo Available | 713 Name : Poornima Prabhu Husbands Name: Damodhar Prabhu House Number : S-3 Age : 41 Gender : Female | ZOV0340851 Photo Available | 714 Name : Laxmi Kerkar Husbands Name: Kamalant Kerkar House Number : S-5 Age : 77 Gender : Female | YPS0101469 Photo Available |
| 715 Name : Gunvanti Kerkar Husbands Name: Dulu Kerkar House Number : S-5 Age : 52 Gender : Female | ZOV0300194 Photo Available | 716 Name : SAIPRASAD KERKAR Mothers Name: GUNWANTI KERKAR House Number : S-5 Age : 23 Gender : Male | ZOV0441915 Photo Available | 717 Name : Preesal Solanki Fathers Name: Lalitji Solanki House Number : S-7 Age : 25 Gender : Female | ZOV0361493 Photo Available |
| 718 Name : Swati Kumari Mishra Fathers Name: Binod Kumar Mishra House Number : Shree Bhavani sadan. 28. Age : 22 Gender : Female | ZOV0422154 Photo Available | 719 Name : Raashed Kariangala Fathers Name: K. Ismail Kariangala House Number : S-5,B-1 Age : 27 Gender : Male | ZOV0332031 Photo Available | 720 Name : Yukta Solanki Fathers Name: Lalit Solanki House Number : S/7 2 Floor Age : 23 Gender : Female | ZOV0425942 Photo Available |

| | | |
|---|--|---|
| <p>721</p> <p>ZOV0437137</p> <p>Name : SHREYANS LALIT SOLANKI Fathers Name: LALIT SOLANKI House Number : S-7 2ND FLOOR Age : 20 Gender : Male</p> <p>Photo</p> <p>Available</p> | <p>722</p> <p>ZOV0382184</p> <p>Name : Mehvish Shaikh Fathers Name: Mohammed Riyaz Shaikh House Number : S-1 504 Age : 23 Gender : Female</p> <p>Photo</p> <p>Available</p> | <p>723</p> <p>ZOV0353243</p> <p>Name : Aisha Bi Shaikh Husbands Name: Mohammad Riyaz Shaikh House Number : S-1-504 Age : 63 Gender : Female</p> <p>Photo</p> <p>Available</p> |
| <p>724</p> <p>ZOV0240143</p> <p>Name : Alphonse Joseph Fathers Name: K,P Joseph House Number : T 1 Age : 70 Gender : Female</p> <p>Photo</p> <p>Available</p> | <p>725</p> <p>ZOV0240150</p> <p>Name : Francis Scaria Joseph Fathers Name: K,A Scaria House Number : T 1 Age : 39 Gender : Male</p> <p>Photo</p> <p>Available</p> | <p>726</p> <p>JGZ4307583</p> <p>Name : Sayeda Bepari Husbands Name: Mujjafar Bepari House Number : T-1 Age : 41 Gender : Female</p> <p>Photo</p> <p>Available</p> |
| <p>727</p> <p>ZOV0371971</p> <p>Name : Nimmy Thomas Husbands Name: Francis Scaria Joseph House Number : T-1 Age : 34 Gender : Female</p> <p>Photo</p> <p>Available</p> | <p>728</p> <p>ZOV0240168</p> <p>Name : Abdul Malik Fathers Name: Mohammed Kasim House Number : T3 Age : 49 Gender : Male</p> <p>Photo</p> <p>Available</p> | <p>729</p> <p>ZOV0294850</p> <p>Name : Saba Malik Husbands Name: Abdul Malik House Number : T3 Age : 48 Gender : Female</p> <p>Photo</p> <p>Available</p> |
| <p>730</p> <p>ZOV0444786</p> <p>Name : Ateeb Ul Malik Fathers Name: Abdul Malik House Number : T-3 Age : 18 Gender : Male</p> <p>Photo</p> <p>Available</p> | <p>731</p> <p>ZOV0187146</p> <p>Name : Aditya Naik Gaonkar Fathers Name: Sadashiv Naik Gaonkar House Number : T-4 Age : 34 Gender : Male</p> <p>Photo</p> <p>Available</p> | <p>732</p> <p>ZOV0432336</p> <p>Name : Pritika Parab Fathers Name: Prakash House Number : T/8 Age : 20 Gender : Female</p> <p>Photo</p> <p>Available</p> |
| <p>733</p> <p>ZOV0300202</p> <p>Name : Anand Karmalkar Fathers Name: Jaychand Karmalkar House Number : T-8 Age : 56 Gender : Male</p> <p>Photo</p> <p>Available</p> | <p>734</p> <p>ZOV0313510</p> <p>Name : Anagha Karmalkar Husbands Name: Anand Karmalkar House Number : T-8 Age : 55 Gender : Female</p> <p>Photo</p> <p>Available</p> | <p>735</p> <p>ZOV0437798</p> <p>Name : Prakash Parab Fathers Name: Bablo Parab House Number : T-8 Age : 52 Gender : Male</p> <p>Photo</p> <p>Available</p> |
| <p>736</p> <p>SST0291518</p> <p>Name : Kavita Parab Husbands Name: Prakash Parab House Number : T-8 Age : 45 Gender : Female</p> <p>Photo</p> <p>Available</p> | <p>737</p> <p>ZOV0240176</p> <p>Name : Manisha Pawaskar Fathers Name: Mangaldas Pawaskar House Number : W-1/125/2 Age : 44 Gender : Female</p> <p>Photo</p> <p>Available</p> | |

| | | | | | | | | | | | |
|-----|------------|--|--------------------|-----|------------|---|--------------------|-----|------------|---|--------------------|
| 738 | ZOV0186163 | Name : Balkrishna Kaisare Fathers Name: Deepak Kaisare House Number : 41/10 Age : 35 Gender : Male | Photo Available | 739 | ZOV0387969 | Name : Ramakant Naik Fathers Name: Panduranga Naik House Number : 121/5 Age : 73 Gender : Male | Photo Available | 740 | ZOV0387951 | Name : Smita Naik Husbands Name: Ramakant Naik House Number : 121/5 Age : 62 Gender : Female | Photo Available |
| 741 | ZOV0387944 | Name : Ritesh Naik Fathers Name: Ramakant Naik House Number : 121/5 Age : 47 Gender : Male | Photo Available | 742 | ZOV0387936 | Name : Vilesh Naik Fathers Name: Ramakant Naik House Number : 121/5 Age : 45 Gender : Male | Photo Available | 743 | GCM5181508 | Name : Sudhixa Naik Husbands Name: Vilesh Naik House Number : 121/5 Age : 37 Gender : Female | Photo Available |
| 744 | ZOV0356311 | Name : Sonali Nayak Husbands Name: Ritesh Naik House Number : 121/5 Age : 41 Gender : Female | Photo Available | 745 | ZOV0388157 | Name : Nathalia Pereira Husbands Name: Peter Pereira House Number : 121/8 Age : 69 Gender : Female | Photo Available | 746 | ZOV0388165 | Name : Peter Pereira Fathers Name: Manuel Pereira House Number : 121/8 Age : 69 Gender : Male | Photo Available |
| 747 | MXY1329564 | Name : Sharon Pereira Fathers Name: Peter Pereira House Number : 121/8 Age : 41 Gender : Female | Photo Available | 748 | MXY1329572 | Name : Priyanka Pereira Fathers Name: Peter Pereira House Number : 121/8 Age : 38 Gender : Female | Photo Available | 749 | ZOV0240184 | Name : Preeti Pereira Fathers Name: Peter Pereira House Number : 121/8 Age : 32 Gender : Female | Photo Available |
| 750 | MXY0231084 | Name : Lata Talavalkar Fathers Name: Vishnu Talavalkar House Number : 121/2-1 Age : 75 Gender : Female | Photo Available | 751 | MXY0080556 | Name : Dinesh Talavalkar Fathers Name: Vishnu Talavalkar House Number : 121/2-1 Age : 71 Gender : Male | Photo Available | 752 | MXY7750904 | Name : Prabha Prabhu Desai Husbands Name: Damodar Prabhu Desai House Number : 121/3-5 Age : 74 Gender : Female | Photo Available |
| 753 | MXY0232769 | Name : Sachin Prabhu Desai Fathers Name: Damodar Prabhu Desai House Number : 121/3-5 Age : 44 Gender : Male | Photo Available | 754 | ZOV0389510 | Name : Mahananda Naik Husbands Name: Chandrakant Naik House Number : 121/4-1 Age : 69 Gender : Female | Photo Available | 755 | ZOV0294868 | Name : Nilkanth Ailes Nitin Naik Fathers Name: Bapi Naik House Number : 121/4-1 Age : 59 Gender : Male | Photo Available |
| 756 | MXY0234021 | Name : Santosh Naik Fathers Name: Chandrakant Naik House Number : 121/4-1 Age : 48 Gender : Male | Photo Available | 757 | ZOV0368050 | Name : Lata Naik Husbands Name: Pramod Naik House Number : 121/4(2) Age : 35 Gender : Female | Photo Available | 758 | FDW6011845 | Name : Gouri Naik Husbands Name: Akilesh Naik House Number : 121/4/(2) Age : 36 Gender : Female | Photo Available |
| 759 | ZOV0189969 | Name : Kamal Naik Husbands Name: Naguesh Naik House Number : 121/4-2 Age : 75 Gender : Female | Photo Available | 760 | ZOV0191007 | Name : Devidas Naik Fathers Name: Naguesh Naik House Number : 121/4-2 Age : 62 Gender : Male | Photo Available | 761 | ZOV0191015 | Name : Kavita Naik Husbands Name: Devidas Naik House Number : 121/4-2 Age : 52 Gender : Female | Photo Available |
| 762 | ZOV0188797 | Name : Pramod Naik Fathers Name: Naguesh Naik House Number : 121/4-2 Age : 48 Gender : Male | Photo Available | 763 | MXY0233957 | Name : Akhilesh Naik Fathers Name: Naguesh Naik House Number : 121/4-2 Age : 43 Gender : Male | Photo Available | 764 | ZOV0342519 | Name : Amogh Naik Fathers Name: Devidas Naik House Number : 121/4-2 Age : 28 Gender : Male | Photo Available |
| 765 | ZOV0193037 | Name : Saraswati Naik Husbands Name: Venkat Naik House Number : 121/9-9 Age : 74 Gender : Female | Photo Available | 766 | ZOV0389528 | Name : Prashant Naik Fathers Name: Venkat Naik House Number : 121/9-9 Age : 51 Gender : Male | Photo Available | 767 | MXY1327766 | Name : Smita Naik Husbands Name: Prashant Naik House Number : 121/9-9 Age : 49 Gender : Female | Photo Available |

| | | |
|--|---|--|
| <p>768</p> <p>MX Y0228098</p> <p>Name : Devaray Bandodkar Fathers Name: Sagun Bandodkar House Number : 121/10-2 Age : 61 Gender : Male</p> <p>Photo</p> <p>Available</p> | <p>769</p> <p>MX Y0228106</p> <p>Name : Deepashri Bandodkar Husbands Name: Devaray Bandodkar House Number : 121/10-2 Age : 54 Gender : Female</p> <p>Photo</p> <p>Available</p> | <p>770</p> <p>ZOV0193607</p> <p>Name : Ratnakar Karekar Fathers Name: Janu Karekar House Number : 121/1-13 Age : 73 Gender : Male</p> <p>Photo</p> <p>Available</p> |
| <p>771</p> <p>ZOV0273326</p> <p>Name : Soniya Mardolkar Fathers Name: Shivanand Mardolkar House Number : 121/1/17 Age : 36 Gender : Female</p> <p>Photo</p> <p>Available</p> | <p>772</p> <p>MX Y0232199</p> <p>Name : Shivanand Mhardolkar Fathers Name: Vitthal Mhardolkar House Number : 121/1-17 Age : 69 Gender : Male</p> <p>Photo</p> <p>Available</p> | <p>773</p> <p>ZOV0413351</p> <p>Name : Sushama Mhardolkar Husbands Name: Shivanand Mhardolkar House Number : 121/1-17 Age : 61 Gender : Female</p> <p>Photo</p> <p>Available</p> |
| <p>774</p> <p>ZOV0261636</p> <p>Name : Chetana Mhardolkar Fathers Name: Shivanand Mhardolkar House Number : 121/1-17 Age : 33 Gender : Female</p> <p>Photo</p> <p>Available</p> | <p>775</p> <p>ZOV0191221</p> <p>Name : P. A. Vishwanathan Fathers Name: Appukutty House Number : 121/11-8 Age : 58 Gender : Male</p> <p>Photo</p> <p>Available</p> | <p>776</p> <p>ZOV0188326</p> <p>Name : Priya Shrivant Husbands Name: Pralhad Shrivant House Number : 121/11-9 Age : 72 Gender : Female</p> <p>Photo</p> <p>Available</p> |
| <p>777</p> <p>ZOV0188334</p> <p>Name : Nandita Shrivant Husbands Name: Natvardas Shrivant House Number : 121/11-9 Age : 56 Gender : Female</p> <p>Photo</p> <p>Available</p> | <p>778</p> <p>ZOV0190470</p> <p>Name : Sandip Shrivant Fathers Name: Pralhad Shrivant House Number : 121/11-9 Age : 54 Gender : Male</p> <p>Photo</p> <p>Available</p> | <p>779</p> <p>ZOV0189639</p> <p>Name : Rajesh Shrivant Fathers Name: Pralhad Shrivant House Number : 121/11-9 Age : 48 Gender : Male</p> <p>Photo</p> <p>Available</p> |
| <p>780</p> <p>ZOV0340869</p> <p>Name : Pragati Shrivant Husbands Name: Rajesh Shrivant House Number : 121/11-9 Age : 33 Gender : Female</p> <p>Photo</p> <p>Available</p> | <p>781</p> <p>ZOV0340794</p> <p>Name : Akshay Shrivant Fathers Name: Natvardas Shrivant House Number : 121/11-9 Age : 28 Gender : Male</p> <p>Photo</p> <p>Available</p> | <p>782</p> <p>MX Y0234443</p> <p>Name : Manda Bhatkar Husbands Name: Manohar Bhatkar House Number : 121/1-27 Age : 71 Gender : Female</p> <p>Photo</p> <p>Available</p> |
| <p>783</p> <p>MX Y1359710</p> <p>Name : Chandrashekhar Bhatkar Fathers Name: Dinkar Bhatkar House Number : 121/1-27 Age : 37 Gender : Male</p> <p>Photo</p> <p>Available</p> | <p>784</p> <p>MX Y7751332</p> <p>Name : Ajodhyanath Patro Fathers Name: Banchanidhi Patro House Number : 121/1-28 Age : 57 Gender : Male</p> <p>Photo</p> <p>Available</p> | <p>785</p> <p>ZOV0273391</p> <p>Name : Vilas Kembhavi Fathers Name: Vitthalrao Kembhavi House Number : 121/9-11 Age : 71 Gender : Male</p> <p>Photo</p> <p>Available</p> |
| <p>786</p> <p>ZOV0273409</p> <p>Name : Sunil Kembhavi Fathers Name: Vitthalrao Kembhavi House Number : 121/9-11 Age : 51 Gender : Male</p> <p>Photo</p> <p>Available</p> | <p>787</p> <p>ZOV0388140</p> <p>Name : Pandurang Naik Fathers Name: Balkrishna Naik House Number : 121/9-13 Age : 81 Gender : Male</p> <p>Photo</p> <p>Available</p> | <p>788</p> <p>MX Y0232744</p> <p>Name : Sharayu Naik Husbands Name: Pandurang Naik House Number : 121/9-13 Age : 75 Gender : Female</p> <p>Photo</p> <p>Available</p> |
| <p>789</p> <p>MX Y0940015</p> <p>Name : Nutesh Naik Fathers Name: Pandurang Naik House Number : 121/9-13 Age : 42 Gender : Male</p> <p>Photo</p> <p>Available</p> | <p>790</p> <p>MX Y0232264</p> <p>Name : Shivaji Sardessai Fathers Name: Rangaji Sardessai House Number : 121/9-14 Age : 68 Gender : Male</p> <p>Photo</p> <p>Available</p> | <p>791</p> <p>ZOV0273102</p> <p>Name : Neha Sardessai Husbands Name: Shivaji Sardessai House Number : 121/9-14 Age : 62 Gender : Female</p> <p>Photo</p> <p>Available</p> |
| <p>792</p> <p>ZOV0193383</p> <p>Name : Shrikant Nayak Fathers Name: Pandurang Naik House Number : 121/9-15 Age : 67 Gender : Male</p> <p>Photo</p> <p>Available</p> | <p>793</p> <p>MX Y0080960</p> <p>Name : Radhika Nayak Husbands Name: Shrikant Naik House Number : 121/9-15 Age : 64 Gender : Female</p> <p>Photo</p> <p>Available</p> | <p>794</p> <p>MX Y1361849</p> <p>Name : Siddharth Nayak Fathers Name: Shrikant Naik House Number : 121/9-15 Age : 36 Gender : Male</p> <p>Photo</p> <p>Available</p> |
| <p>795</p> <p>ZOV0065490</p> <p>Name : Sheela Naik Gaonkar Husbands Name: Sadashiv Naik Gaonkar House Number : 121/9-22 Age : 67 Gender : Female</p> <p>Photo</p> <p>Available</p> | <p>796</p> <p>ZOV0389536</p> <p>Name : Lalan Naik Husbands Name: Kamlakant Naik House Number : 121/9-23 Age : 60 Gender : Female</p> <p>Photo</p> <p>Available</p> | <p>797</p> <p>MX Y0286526</p> <p>Name : Ashok Kumar Sharma Fathers Name: Ramdas Sharma House Number : 121/9-24 Age : 53 Gender : Male</p> <p>Photo</p> <p>Available</p> |

| | | |
|---|--|--|
| <p>798</p> <p>MXV0286534</p> <p>Name : Sangeeta Sharma Husbands Name: Ashok Kumar Sharma House Number : 121/9-24 Age : 52 Gender : Female</p> <p>Photo</p> <p>Available</p> | <p>799</p> <p>ZOV0358689</p> <p>Name : Saisb Sharma Fathers Name: Ashok Sharma House Number : 121/9-24 Age : 29 Gender : Male</p> <p>Photo</p> <p>Available</p> | <p>800</p> <p>MXV0080986</p> <p>Name : Subhash Shrivant Fathers Name: Jagannath Shrivant House Number : 121/11-10 Age : 61 Gender : Male</p> <p>Photo</p> <p>Available</p> |
| <p>801</p> <p>MXV1328426</p> <p>Name : Sulaksha Shrivant Husbands Name: Subhash Shrivant House Number : 121/11-10 Age : 57 Gender : Female</p> <p>Photo</p> <p>Available</p> | <p>802</p> <p>ZOV0354126</p> <p>Name : Chandan Shrivant Fathers Name: Subhash Shrivant House Number : 121/11-10 Age : 26 Gender : Male</p> <p>Photo</p> <p>Available</p> | <p>803</p> <p>ZOV0384370</p> <p>Name : Meghana Naik Fathers Name: Prashant Naik House Number : F no.1 Age : 24 Gender : Female</p> <p>Photo</p> <p>Available</p> |
| <p>804</p> <p>ZOV0297903</p> <p>Name : Pranjal Bandodkar Fathers Name: Devrai Bandodkar House Number : F-1 Age : 30 Gender : Female</p> <p>Photo</p> <p>Available</p> | <p>805</p> <p>MXV8874877</p> <p>Name : Savitri Bhatkar Husbands Name: Druml Bhatkar House Number : Flat No 404 Age : 46 Gender : Female</p> <p>Photo</p> <p>Available</p> | <p>806</p> <p>ZOV0345009</p> <p>Name : Girdhari Chowdhary Fathers Name: Nayaranji Chowdhary House Number : T-7 Age : 43 Gender : Male</p> <p>Photo</p> <p>Available</p> |
| <p>807</p> <p>ZOV0345017</p> <p>Name : Leela Devi Chowdhary Husbands Name: Girdhariram Chowdhary House Number : T-7 Age : 38 Gender : Female</p> <p>Photo</p> <p>Available</p> | <p>808</p> <p>ZOV0273375</p> <p>Name : Prajyot Bandodkar Fathers Name: Devrai Bandodkar House Number : W1/120/3 Age : 37 Gender : Male</p> <p>Photo</p> <p>Available</p> | <p>809</p> <p>ZOV0061267</p> <p>Name : Pritesh Bandodkar Fathers Name: Devrai Bandodkar House Number : W1/120/3 Age : 35 Gender : Male</p> <p>Photo</p> <p>Available</p> |
| <p>810</p> <p>ZOV0358705</p> <p>Name : Sarvashree Bandodker Husbands Name: Prajyot Bandodker House Number : W1/120/3 Age : 32 Gender : Female</p> <p>Photo</p> <p>Available</p> | <p>811</p> <p>ZOV0280412</p> <p>Name : Noor Mohammad Shaikh Fathers Name: Abdul Cadar Xec House Number : W3-151-B16 Age : 35 Gender : Male</p> <p>Photo</p> <p>Available</p> | |

| | | | | | |
|---|----------------------------------|---|----------------------------------|---|----------------------------------|
| 812 Name : Nikhita Gudekar Husbands Name: Rajan Gudekar House Number : 1/20/13 Age : 47 Gender : Female | ZOV0240242 Photo Available | 813 Name : Jayashree Gudekar Husbands Name: Vaman Gudekar House Number : 1/120/13 Age : 85 Gender : Female | ZOV0389650 Photo Available | 814 Name : Rajan Gudekar Fathers Name: Vaman Gudekar House Number : 1/120/13 Age : 55 Gender : Male | ZOV0254656 Photo Available |
| 815 Name : Seema Shet Gudekar Husbands Name: Sadashiv Shet Gudekar House Number : 1/120/13 Age : 56 Gender : Female | MXY0227793 Photo Available | 816 Name : Sadashiv Shet Gudekar Fathers Name: Vaman Shet Gudekar House Number : 1/120/13 Age : 57 Gender : Male | ZOV0208439 Photo Available | 817 Name : Vallabh Bandodkar Fathers Name: Sagun Bandodkar House Number : 120/3 Age : 59 Gender : Male | ZOV0273292 Photo Available |
| 818 Name : Purnima Bandodkar Husbands Name: Ramnath Bandodkar House Number : 120/3 Age : 56 Gender : Female | MXY0228163 Photo Available | 819 Name : Vidhya Bandodkar Husbands Name: Vallabh Bandodkar House Number : 120/3 Age : 49 Gender : Female | ZOV0263145 Photo Available | S 820 Name : Divya Bandodkar Fathers Name: Ramnath Bandodkar House Number : 120/3 Age : 30 Gender : Female | ZOV0313304 Photo Available |
| 821 Name : Disha Bandodkar Fathers Name: Ramnath Bandodkar House Number : 120/3 Age : 28 Gender : Female | ZOV0334235 Photo Available | 822 Name : Shanta Sukthankar Husbands Name: Devidas Sukthankar House Number : 120/5 Age : 85 Gender : Female | ZOV0389619 Photo Available | 823 Name : Rohan Arsekar Fathers Name: Krishna Arsekar House Number : 120/6 Age : 38 Gender : Male | MXY1290378 Photo Available |
| 824 Name : Asmitha Shet Arsekar Husbands Name: Rohan Arsekar House Number : 120/6 Age : 98 Gender : Female | ZOV0375337 Photo Available | 825 Name : Sanjay Sukthankar Fathers Name: Shambhu Sukthankar House Number : 120/8 Age : 61 Gender : Male | ZOV0389601 Photo Available | 826 Name : Anjali Sukthankar Husbands Name: Sanjay Sukthankar House Number : 120/8 Age : 54 Gender : Female | ZOV0152082 Photo Available |
| 827 Name : Rhea Sukthankar Fathers Name: Sanjay Sukthankar House Number : 120/8 Age : 27 Gender : Female | ZOV0340810 Photo Available | 828 Name : Shivdas Keni Fathers Name: Gajanan Keni House Number : 120/1(1) Age : 73 Gender : Male | ZOV0389643 Photo Available | 829 Name : Pushpa Keni Husbands Name: Shivdas Keni House Number : 120/1(1) Age : 69 Gender : Female | ZOV0389635 Photo Available |
| 830 Name : Shital Keni Fathers Name: Shivdas Keni House Number : 120/1(1) Age : 39 Gender : Female | MXY1363720 Photo Available | 831 Name : Shridatta Gajanan Keni Fathers Name: Gajanan Keni House Number : 120/1(2) Age : 78 Gender : Male | ZOV0207944 Photo Available | 832 Name : Shubhangi Keni Husbands Name: Shridutta Keni House Number : 120/1(2) Age : 73 Gender : Female | ZOV0207852 Photo Available |
| 833 Name : Kedar Keni Fathers Name: Shridutta Keni House Number : 120/1(2) Age : 44 Gender : Male | ZOV0207878 Photo Available | 834 Name : Vidya Keni Husbands Name: Kedar Keni House Number : 120/1(2) Age : 38 Gender : Female | ZOV0207779 Photo Available | 835 Name : Nalini Lotalikar Husbands Name: Anand Lotalikar House Number : 120/9(2) Age : 92 Gender : Female | ZOV0217679 Photo Available |
| 836 Name : Datta Lotalikar Fathers Name: Anand Lotalikar House Number : 120/9(2) Age : 75 Gender : Male | MXY1326180 Photo Available | 837 Name : Nityanand Rajadhyaksha Fathers Name: Shankar Rajadhyaksha House Number : 120/9(4) Age : 61 Gender : Male | MXY1365006 Photo Available | 838 Name : Varsha Rajadhyaksha Husbands Name: Nityanand Rajadhyaksha House Number : 120/9(4) Age : 55 Gender : Female | MXY1364991 Photo Available |
| 839 Name : Wazahat Hussain Rizvi Fathers Name: Yousuf Rizvi House Number : 125/2(6) Age : 82 Gender : Male | MXY0226191 Photo Available | 840 Name : R. Cajetan Coelho Fathers Name: Damaciano Coelho House Number : 125/5(5) Age : 50 Gender : Male | MXY0076828 Photo Available | 841 Name : P. Ernest Coelho Fathers Name: Damaciano Coelho House Number : 125/5(5) Age : 49 Gender : Male | MXY0226423 Photo Available |

| | | |
|--|---|--|
| <p>842</p> <p>MXV0990010</p> <p>Name : F. Fenelon Coelho Fathers Name: Damaciano Coelho House Number : 125/5(5) Age : 47 Gender : Male</p> <p>Photo Available</p> | <p>843</p> <p>ZOV0253583</p> <p>Name : Feroz Braganca Fathers Name: Joao Braganca House Number : 125/5(8) Age : 42 Gender : Male</p> <p>Photo Available</p> | <p>844</p> <p>ZOV0277053</p> <p>Name : Aparna Braganca Fathers Name: Joao Braganca House Number : 125/5(8) Age : 35 Gender : Female</p> <p>Photo Available</p> |
| <p>845</p> <p>ZOV0069906</p> <p>Name : Joao Braganza Fathers Name: Conatantino Braganza House Number : 125/5(8) Age : 82 Gender : Male</p> <p>Photo Available</p> | <p>846</p> <p>ZOV0253591</p> <p>Name : Fiona Braganza Fathers Name: Joao Braganza House Number : 125/5(8) Age : 40 Gender : Female</p> <p>Photo Available</p> | <p>847</p> <p>ZOV0253609</p> <p>Name : Sucorro Agneio Braganza Fathers Name: Joao Braganza House Number : 125/5(8) Age : 39 Gender : Male</p> <p>Photo Available</p> |
| <p>848</p> <p>ZOV0253575</p> <p>Name : Emeciana Mascarenhas Husbands Name: Joao Braganza House Number : 125/5(8) Age : 73 Gender : Female</p> <p>Photo Available</p> | <p>849</p> <p>ZOV0389551</p> <p>Name : Subhash Keni Fathers Name: Gajanan Keni House Number : 126/2 Age : 82 Gender : Male</p> <p>Photo Available</p> | <p>850</p> <p>MXV0227363</p> <p>Name : Chitra Keni Husbands Name: Subhash Keni House Number : 126/2 Age : 80 Gender : Female</p> <p>Photo Available</p> |
| <p>851</p> <p>ZOV0389544</p> <p>Name : Gajanan Keni Fathers Name: Subhash Keni House Number : 126/2 Age : 57 Gender : Male</p> <p>Photo Available</p> | <p>852</p> <p>ZOV0273003</p> <p>Name : Prashant Keni Fathers Name: Subhash Keni House Number : 126/2 Age : 56 Gender : Male</p> <p>Photo Available</p> | <p>853</p> <p>ZOV0272849</p> <p>Name : Shital Keni Husbands Name: Gajanan Keni House Number : 126/2 Age : 53 Gender : Female</p> <p>Photo Available</p> |
| <p>854</p> <p>MXV0226951</p> <p>Name : Manoj Keni Fathers Name: Subhash Keni House Number : 126/2 Age : 52 Gender : Male</p> <p>Photo Available</p> | <p>855</p> <p>MXV0940411</p> <p>Name : Seema Keni Husbands Name: Prashant Keni House Number : 126/2 Age : 50 Gender : Female</p> <p>Photo Available</p> | <p>856</p> <p>MXV1366384</p> <p>Name : Pooja Keni Husbands Name: Manoj Keni House Number : 126/2 Age : 47 Gender : Female</p> <p>Photo Available</p> |
| <p>857</p> <p>ZOV0432435</p> <p>Name : Azam Ansari Fathers Name: Aziz Ansari House Number : F-1 4th floor Age : 43 Gender : Male</p> <p>Photo Available</p> | | |

| | | |
|--|--|---|
| <p>858 2 ZOV0446070</p> <p>Name : Abdul Rauf Nadaf Fathers Name: Zahid Nadaf House Number : 43/1-15-9 Age : 19 Gender : Male</p> <p>Photo Available</p> | <p>859 1 ZOV0446153</p> <p>Name : UMESH DAYESH SHET TILVE Fathers Name: DAYESH UMESH SHET TILVE House Number : C-304 Age : 18 Gender : Male</p> <p>Photo Available</p> | <p>860 1 HFF1511286</p> <p>Name : Vandana Sardesai Husbands Name: Santosh Sardesai House Number : FR-3 sameera plaza Age : 52 Gender : Female</p> <p>Photo Available</p> |
| <p>861 2 NCT2794402</p> <p>Name : KULSUMBI AGA Fathers Name: SAGUIRODIN AGA House Number : 41/63-1 Age : 41 Gender : Female</p> <p>Photo Available</p> | <p>862 2 JGZ4271177</p> <p>Name : Arti Naik Fathers Name: Anand Naik House Number : H.NO.124/16 Age : 42 Gender : Female</p> <p>Photo Available</p> | <p>863 2 ZOV0447094</p> <p>Name : Sanjay Savaram Chowdary Fathers Name: Savaram Chowdary House Number : House No 41/11/2 Age : 21 Gender : Male</p> <p>Photo Available</p> |
| <p>864 2 ZOV0447219</p> <p>Name : Druva Bhatkar Fathers Name: Drumil Bhatkar House Number : Flat No 404 Age : 18 Gender : Female</p> <p>Photo Available</p> | <p>865 1 ZOV0381384</p> <p>Name : Atmesh Sardesai Fathers Name: Santosh Sardesai House Number : FR-3 sameera plaza Age : 23 Gender : Male</p> <p>Photo Available</p> | <p>866 1 ZOV0423814</p> <p>Name : Prathamesh Santosh Sardesai Fathers Name: Santosh Sardesai House Number : FR-3 Age : 21 Gender : Male</p> <p>Photo Available</p> |
| <p>867 1 ZOV0447466</p> <p>Name : PRASHILA GAUDE Fathers Name: SARVESH GAUDE House Number : S-304, 3rd floor Age : 18 Gender : Female</p> <p>Photo Available</p> | <p>868 1 ZOV0447615</p> <p>Name : Vineet Kumar Mishra Fathers Name: Binod Kumar Mishra House Number : H. No 28 Age : 20 Gender : Male</p> <p>Photo Available</p> | <p>869 1 ZOV0447623</p> <p>Name : Krutika Kumari Fathers Name: Binod Kumar Mishra House Number : H No 28 Age : 18 Gender : Female</p> <p>Photo Available</p> |
| <p>870 4 ZOV0447763</p> <p>Name : AFREEN PRAVIN ANSARI Fathers Name: AZAM ANASARI House Number : H.no.F-1- 4th Floor Age : 19 Gender : Female</p> <p>Photo Available</p> | <p>871 1 TVK0275966</p> <p>Name : Sneha Gaude Husbands Name: Sarvesh Gaude House Number : S-304,3rd Fl. Age : 43 Gender : Female</p> <p>Photo Available</p> | <p>872 2 YBV3886058</p> <p>Name : Saraswati Jagadish Halgi Fathers Name: Shankar House Number : 41/1 Age : 27 Gender : Female</p> <p>Photo Available</p> |
| <p>873 1 ZOV0448555</p> <p>Name : ARJU SHEKH Fathers Name: ARIF MOHAMMAD House Number : Malita apt,flat no. S-1 Age : 20 Gender : Female</p> <p>Photo Available</p> | <p>874 2 ZOV0448746</p> <p>Name : SANJAY MOHARE Fathers Name: ASHOK MOHARE House Number : Flat No. FF-4 5TH Floor Age : 35 Gender : Female</p> <p>Photo Available</p> | <p>875 2 ZOV0448738</p> <p>Name : SHALI MOHARE Husbands Name: SANJAY MOHARE House Number : Flat No. FF-4 5TH Floor Age : 46 Gender : Female</p> <p>Photo Available</p> |
| <p>876 4 ZOV0449314</p> <p>Name : Vasundhari Vallabh Bandodkar Fathers Name: Vallabh Bandodkar House Number : H No 1/43/8 Age : 18 Gender : Female</p> <p>Photo Available</p> | <p>877 2 ZOV0327676</p> <p>Name : Mahabooob Basha Shaik Fathers Name: Khadar Vali Shaik House Number : 1/121/35(43)f.no.406 Age : 41 Gender : Male</p> <p>Photo Available</p> | <p>878 2 ZOV0449009</p> <p>Name : Akshata Hasmani Fathers Name: Shivappa Hasmani House Number : H No 41 Age : 18 Gender : Female</p> <p>Photo Available</p> |
| <p>879 2 ZOV0449249</p> <p>Name : Rudresh Nanda Mazgaonkar Fathers Name: Nanda Mazgaonkar House Number : H No 1/43/8 Age : 18 Gender : Male</p> <p>Photo Available</p> | <p>880 1 ZOV0449546</p> <p>Name : SUMIT SURESH WADAR Fathers Name: SURESH L. WADAR House Number : 41/42-C Age : 18 Gender : Male</p> <p>Photo Available</p> | |

| SUMMARY OF ELECTORS | | | | | | | |
|--|--|--------------|--|--------------------|--------|--------------|-------|
| A) NUMBER OF ELECTORS | | | | | | | |
| | | Roll Type | Roll Identification | NUMBER OF ELECTORS | | | |
| | | | | Male | Female | Third Gender | Total |
| I | Mother Roll | Mother Roll | Basic Roll of Special Summary Revision 2024 published on 27-10-2023 integrated with Additions, Deletions and Modifications carried out during Special Summary Revision 2024. | 428 | 429 | 0 | 857 |
| II | 1- List of Additions | Supplement 1 | Special Summary Revision 2024 | 9 | 14 | 0 | 23 |
| III | 2- List of Deletions | Supplement 1 | Special Summary Revision 2024 | 10 | 10 | 0 | 20 |
| IV | Difference due to modification in Gender field | | | 0 | 0 | 0 | 0 |
| Net Elector in this Roll after this Revision (I+II-III+IV) | | | | 427 | 433 | 0 | 860 |

| B) NUMBER OF MODIFICATIONS | | |
|----------------------------|-------------------------------|-------------------------|
| Roll Type | Roll Identification | NUMBER OF MODIFICATIONS |
| Supplement 1 | Special Summary Revision 2024 | 6 |

Signature of Electoral Registration Officer

E-Expired S-Shifted/Change of Residence R-Duplicate M-Missing Q-Disqualified