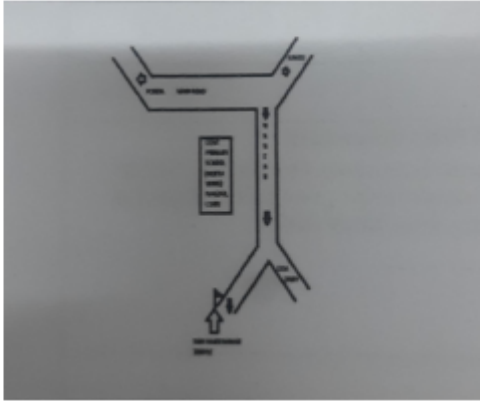


ELECTORAL ROLL 2024 S05 Goa

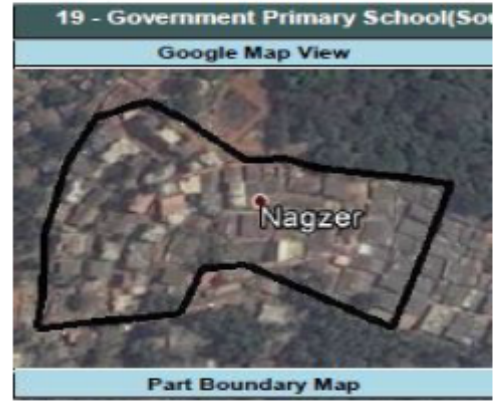
No. Name and Reservation Status of Assembly Constituency : 21 - PONDA (GEN)					Part No. : 21															
No. Name and Reservation Status of Parliamentary Constituency(ies) in which the Assembly Constituency is located : 2 - SOUTH GOA (GEN)																				
1. Details of Revision																				
Year of Revision	2024	Roll Identification Basic Roll of Special Summary Revision 2024 published on 27-10-2023 integrated with Additions, Deletions and Modifications carried out during Special Summary Revision 2024.																		
Qualifying Date	01-01-2024																			
Type of revision	Special Summary Revision 2024																			
Date of Updation	05-01-2024																			
2. Details of part and polling area																				
No. and name of sections in the part																				
1-Nagzar, Curti		<table style="width: 100%; border-collapse: collapse;"> <tr> <td style="width: 60%; border-bottom: 1px solid black;">Main Town or Village</td> <td style="border-bottom: 1px solid black;">: CURTI</td> </tr> <tr> <td>Post Office</td> <td>: PONDA</td> </tr> <tr> <td>Police Station</td> <td>: PONDA</td> </tr> <tr> <td>Block</td> <td>: PONDA</td> </tr> <tr> <td>Subdivision</td> <td>: PONDA</td> </tr> <tr> <td>District</td> <td>: SOUTH GOA</td> </tr> <tr> <td>Pin code</td> <td>: 403401</td> </tr> </table>					Main Town or Village	: CURTI	Post Office	: PONDA	Police Station	: PONDA	Block	: PONDA	Subdivision	: PONDA	District	: SOUTH GOA	Pin code	: 403401
Main Town or Village	: CURTI																			
Post Office	: PONDA																			
Police Station	: PONDA																			
Block	: PONDA																			
Subdivision	: PONDA																			
District	: SOUTH GOA																			
Pin code	: 403401																			
3. Polling station details																				
No. and Name of Polling Station :		Type of Polling Station (Male/Female/General)			General															
21 - Government Primary School(South Wing), Nagzar Curti, Ponda Goa		Number of Auxiliary Polling Stations in this part :			0															
Address of Polling Station :																				
Government Primary School, Nagzar Curti Ponda Goa																				
4. NUMBER OF ELECTORS																				
Starting	Ending	Net Electors																		
Serial No.	Serial No.	Male	Female	Third Gender	Total															
1	799	387	397	0	784															

Signature of Electoral Registration Officer

Nazri Naksha



Google Map View



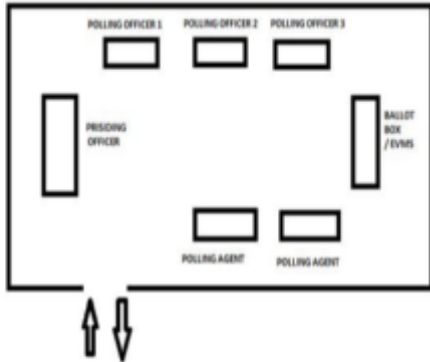
Polling Station Building Front View



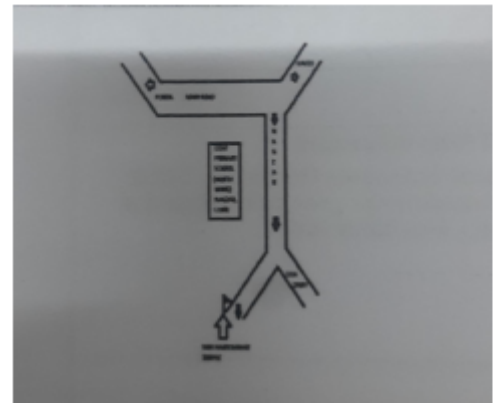
Polling Station Front View



Cad View



Key MAP View



<p>1</p> <p>ZOV0184010</p> <p>Name : Satish S. Minjannavar Fathers Name: Surappa Minjannavar House Number : - Age : 35 Gender : Male</p> <p>Photo Available</p>	<p>2</p> <p>ZOV0439240</p> <p>Name : Abeer Dilshad Mulla Fathers Name: Dilshad Mulla House Number : 3 Age : 20 Gender : Male</p> <p>Photo Available</p>	<p>S</p> <p>3</p> <p>ZOV0431569</p> <p>Name : Sajid Ansari Fathers Name: Abbas Ansari House Number : 5 Age : 27 Gender : Male</p> <p>Photo Available</p>
<p>4</p> <p>ZOV0386623</p> <p>Name : Vinayak Kattimani Fathers Name: Arvind Kattimani House Number : 7/A Age : 37 Gender : Male</p> <p>Photo Available</p>	<p>5</p> <p>ZOV0297838</p> <p>Name : Shairabanu Mirabai Fathers Name: Mehabub Mirabhai House Number : 7/A Age : 30 Gender : Female</p> <p>Photo Available</p>	<p>6</p> <p>ZOV0319533</p> <p>Name : Nawaz Mirabhai Fathers Name: Mehabub Mirabhai House Number : 7/A Age : 33 Gender : Male</p> <p>Photo Available</p>
<p>7</p> <p>NZM4411732</p> <p>Name : Sarita Shetty Husbands Name: Suresh Shetty House Number : 7/A Age : 47 Gender : Female</p> <p>Photo Available</p>	<p>8</p> <p>ZOV0431718</p> <p>Name : Sahil Shetye Fathers Name: Suresh Shetye House Number : 7/A Age : 20 Gender : Male</p> <p>Photo Available</p>	<p>9</p> <p>ZOV0420463</p> <p>Name : Sohail Hakim Fathers Name: Mohammad Hakim House Number : 9 Age : 24 Gender : Male</p> <p>Photo Available</p>
<p>10</p> <p>ZOV0431510</p> <p>Name : Sahil Hakim Fathers Name: Mohamad Hakim House Number : 9 Age : 23 Gender : Male</p> <p>Photo Available</p>	<p>11</p> <p>ZOV0420489</p> <p>Name : Sadik Hakim Fathers Name: Mohammad Hakim House Number : 9 Age : 21 Gender : Male</p> <p>Photo Available</p>	<p>12</p> <p>ZOV0287045</p> <p>Name : Zaber Khan Pathan Fathers Name: Ahmad Khan Pathan House Number : 10-C Age : 32 Gender : Male</p> <p>Photo Available</p>
<p>13</p> <p>ZOV0431551</p> <p>Name : Shabina Shaikh Husbands Name: Salim Shaikh House Number : 11/5 Age : 30 Gender : Female</p> <p>Photo Available</p>	<p>14</p> <p>ZOV0310144</p> <p>Name : Niyaz Ahmad Basapur Fathers Name: Mohamad Gaus Basapur House Number : 11/9 Age : 36 Gender : Male</p> <p>Photo Available</p>	<p>15</p> <p>ZOV0369652</p> <p>Name : Rabiya Basapur Husbands Name: Niyaz Basapur House Number : 11/9 Age : 24 Gender : Female</p> <p>Photo Available</p>
<p>16</p> <p>ZOV0418210</p> <p>Name : Malkirehan Herekar Fathers Name: Mahamad Jamir Herekar House Number : 11/17 Age : 21 Gender : Male</p> <p>Photo Available</p>	<p>17</p> <p>ZOV0362913</p> <p>Name : Arun Haballi Fathers Name: Susharanappa Haballi House Number : 11/26 Age : 29 Gender : Male</p> <p>Photo Available</p>	<p>18</p> <p>ZOV0376095</p> <p>Name : Arju Banu Aldi Fathers Name: Allaudin Aldi House Number : 11/28 Age : 24 Gender : Female</p> <p>Photo Available</p>
<p>19</p> <p>ZOV0421735</p> <p>Name : Aman Ahmad Allauddin Aldi Fathers Name: Allauddin Aldi House Number : 11/28 Age : 23 Gender : Male</p> <p>Photo Available</p>	<p>20</p> <p>ZOV0431593</p> <p>Name : Aksa Banu Allaudin Aldi Fathers Name: Allauddin Mohammad Aldi House Number : 11/28 Age : 20 Gender : Female</p> <p>Photo Available</p>	<p>21</p> <p>ZOV0431544</p> <p>Name : nikita ramesh gaundar gaundar Mothers Name: radhika gaundar House Number : 11/30 Age : 25 Gender : Male</p> <p>Photo Available</p>
<p>22</p> <p>ZOV0295006</p> <p>Name : Vijay Hadimani Fathers Name: Muttappa Hadimani House Number : 11/32 Age : 32 Gender : Male</p> <p>Photo Available</p>	<p>23</p> <p>ZOV0374926</p> <p>Name : Bhageshwari Kambale Husbands Name: Jitendra kambale House Number : 11/32 Age : 31 Gender : Female</p> <p>Photo Available</p>	<p>24</p> <p>ZOV0431684</p> <p>Name : Muskan Tahshidar Fathers Name: Mehboob Subhani Tahashidar House Number : 11/29/A Age : 20 Gender : Female</p> <p>Photo Available</p>
<p>25</p> <p>ZOV0400028</p> <p>Name : Tayawa Naik Husbands Name: Dimappa Naik House Number : 12/5 Age : 71 Gender : Female</p> <p>Photo Available</p>	<p>26</p> <p>ZOV0400010</p> <p>Name : Yalavva Naik Fathers Name: Dimappa Naik House Number : 12/5 Age : 49 Gender : Female</p> <p>Photo Available</p>	<p>27</p> <p>ZOV0381582</p> <p>Name : JAVID MORAB Fathers Name: SHAPPI MORAB House Number : 12/6 Age : 23 Gender : Male</p> <p>Photo Available</p>
<p>28</p> <p>ZOV0354456</p> <p>Name : Sameer Mohamad Marab Fathers Name: Shafi Marab House Number : 12/6 Age : 25 Gender : Male</p> <p>Photo Available</p>	<p>29</p> <p>ZOV0199034</p> <p>Name : Haseenabi Morab Husbands Name: Allauddin Morab House Number : 12/7 Age : 51 Gender : Female</p> <p>Photo Available</p>	<p>30</p> <p>ZOV0238493</p> <p>Name : Jaffar Morab Fathers Name: Allauddin Morab House Number : 12/7 Age : 35 Gender : Male</p> <p>Photo Available</p>

31 Name : Kainath Morab Husbands Name: Allauddin Morab House Number : 12/7 Age : 32 Gender : Female Photo Available	ZOV0333948	32 Name : Mohammad ilhas Morab Fathers Name: Allauddin Morab House Number : 12/7 Age : 30 Gender : Male Photo Available	ZOV0286732	33 Name : Sameera Muzawar Husbands Name: Azad Muzawar House Number : 12/7 Age : 34 Gender : Female Photo Available	ZOV0333914
34 Name : Gulzar Shaikh Fathers Name: Abdul Shaikh House Number : 12/9 Age : 21 Gender : Female Photo Available	ZOV0420976	S 35 Name : Husensab Majgaonkar Fathers Name: Mudsza Majgaonkar House Number : 12/09 Age : 51 Gender : Male DELETED Photo Available	ZOV0238774	S 36 Name : Razia Majgaonkar Husbands Name: Husensab Majgaonkar House Number : 12/09 Age : 40 Gender : Female DELETED Photo Available	ZOV0311811
# 37 Name : Hyder Ali Kholkar Fathers Name: Dawals Kholkar House Number : H. No. EHN No. 04 Age : 40 Gender : Male Photo Available	ZOV0309765	# 38 Name : Arsiya Kolkar Husbands Name: Hyder Kolkar House Number : H. No. EHN No. 04 Age : 36 Gender : Female Photo Available	ZOV0337253	39 Name : Vijaylaxmi Pal Fathers Name: Nanhe Pal House Number : 12/11 Age : 33 Gender : Female Photo Available	ZOV0238527
40 Name : Vijay Kumar Pal Fathers Name: Nanhe Pal House Number : 12/11 Age : 31 Gender : Male Photo Available	ZOV0290379	41 Name : Sunil Pal Fathers Name: Nanhe Pal House Number : 12/11 Age : 29 Gender : Male Photo Available	ZOV0322255	42 Name : Saniya Tanti Husbands Name: Sanjay Tanti House Number : 12/11 Age : 43 Gender : Female Photo Available	ZOV0366203
43 Name : Sanjay Tanti Fathers Name: Kopil Tanti House Number : 12/11 Age : 38 Gender : Male Photo Available	ZOV0366195	44 Name : Sajiv Tanti Fathers Name: Kapil Tanti House Number : 12/11 Age : 31 Gender : Male Photo Available	ZOV0366187	45 Name : Geeta Kurubar Husbands Name: Manjunath Kurubar House Number : 12/13 Age : 37 Gender : Female Photo Available	MXY1350875
46 Name : Nagma Shaikh Husbands Name: Faiyaz Shaikh House Number : 12/13 Age : 38 Gender : Female Photo Available	MXY1350842	47 Name : Sameer Sheikh Fathers Name: Faiyaz Sheikh House Number : 12/13 Age : 22 Gender : Male Photo Available	ZOV0416826	48 Name : Santosh Hachanal Fathers Name: Basavaraj Hachanal House Number : 12/14 Age : 23 Gender : Male Photo Available	ZOV0380006
49 Name : Mantesh Hadimani Fathers Name: Vasant Hadimani House Number : 12/15 Age : 32 Gender : Male Photo Available	ZOV0295014	50 Name : Shoba Hadimani Husbands Name: Mantesh Hadimani House Number : 12/15 Age : 31 Gender : Female Photo Available	ZOV0419432	51 Name : SAGAR KAMBLE Fathers Name: SHIKINDAR KAMBLE House Number : 12/20 Age : 32 Gender : Male Photo Available	ZOV0381590
52 Name : Saroja Kamble Husbands Name: Sagar Kamble House Number : 12/20 Age : 28 Gender : Female Photo Available	ZOV0344846	53 Name : Indravva Kempad Husbands Name: Tamanna Kempad House Number : 12/20 Age : 61 Gender : Female Photo Available	MXY0967273	54 Name : Rayappa Kempad Fathers Name: Tamanna Kempad House Number : 12/20 Age : 41 Gender : Male Photo Available	ZOV0238220
55 Name : Kamakshi Kempad Husbands Name: Rayappa Kempad House Number : 12/20 Age : 31 Gender : Female Photo Available	ZOV0362921	56 Name : Tamanna Kempad Fathers Name: Yamunappa Kempad House Number : 12/20 Age : 56 Gender : Male Photo Available	MXY0967232	57 Name : sunita more Husbands Name: mahendra more House Number : 12/22 Age : 44 Gender : Female Photo Available	ZOV0384297
58 Name : Menaka More Fathers Name: Mahandra More House Number : 12/22 Age : 26 Gender : Female Photo Available	ZOV0384248	59 Name : Puja Bhosle Husbands Name: Damodar Bhosle House Number : 12/23 Age : 30 Gender : Female Photo Available	ZOV0426197	60 Name : KAVERI HADIMANI Husbands Name: VIJAY HADIMANI House Number : 12/24 Age : 22 Gender : Female Photo Available	ZOV0431585

<p>61</p> <p>ZOV0278127</p> <p>Name : Deepaly Hangirgekar Fathers Name: Yellappa Hangirgekar House Number : 12/28 Age : 32 Gender : Female</p> <p>Photo</p> <p>Available</p>	<p>62</p> <p>ZOV0238766</p> <p>Name : Irappa Hudali Fathers Name: Shivappa Hudali House Number : 12/28 Age : 55 Gender : Male</p> <p>Photo</p> <p>Available</p>	<p>63</p> <p>ZOV0278366</p> <p>Name : Kamalashri Hudali Fathers Name: Irappa Hudali House Number : 12/28 Age : 32 Gender : Female</p> <p>Photo</p> <p>Available</p>
<p>64</p> <p>ZOV0334003</p> <p>Name : Kamal Hudali Fathers Name: Irappa Hudali House Number : 12/28 Age : 27 Gender : Male</p> <p>Photo</p> <p>Available</p>	<p>65</p> <p>ZOV0238212</p> <p>Name : Chanva Hudali Husbands Name: Irappa Hudali House Number : 12-28 Age : 51 Gender : Female</p> <p>Photo</p> <p>Available</p>	<p>66</p> <p>ZOV0356402</p> <p>Name : Renuka Hudali Fathers Name: Irappa Hudali House Number : 12-28 Age : 29 Gender : Female</p> <p>Photo</p> <p>Available</p>
<p>67</p> <p>ZOV0422410</p> <p>Name : Rashid Hosabavi Fathers Name : Sayyed Akbar Hosabavi House Number : 12/29 Age : 28 Gender : Female</p> <p>Photo</p> <p>Available</p>	<p>68</p> <p>ZOV0333955</p> <p>Name : Ladsab Nadaf Fathers Name: Ismail Nadaf House Number : 12/32 Age : 37 Gender : Male</p> <p>Photo</p> <p>Available</p>	<p>69</p> <p>ZOV0333922</p> <p>Name : Roshanbi Nadaf Husbands Name: Ladsab Nadaf House Number : 12/32 Age : 28 Gender : Female</p> <p>Photo</p> <p>Available</p>
<p>70</p> <p>MXY9308511</p> <p>Name : Nisar Alnawar Fathers Name: Ahamad Alnawar House Number : 12/35 Age : 51 Gender : Male</p> <p>Photo</p> <p>Available</p>	<p>71</p> <p>MXY9308529</p> <p>Name : Zaida Alnawar Husbands Name : Ahamad Alnawar House Number : 12/35 Age : 49 Gender : Female</p> <p>Photo</p> <p>Available</p>	<p>72</p> <p>ZOV0436857</p> <p>Name : MAHMADASHRAF KHAN Fathers Name: MOHAMED Khan House Number : 12/36 Age : 21 Gender : Male</p> <p>Photo</p> <p>Available</p>
<p>S 73</p> <p>ZOV0421552</p> <p>Name : Sahil Majgaonkar Fathers Name: Mohamad Mesain Majgaonkar House Number : 12/36 Age : 22 Gender : Male</p> <p>Photo</p> <p>Available</p>	<p>S 74</p> <p>ZOV0425421</p> <p>Name : Muskan Majgaonkar Fathers Name: Husnab Majgaonkar House Number : 12/36 Age : 21 Gender : Female</p> <p>Photo</p> <p>Available</p>	<p>75</p> <p>ZOV0416164</p> <p>Name : Vinayak Rathod Fathers Name: Ramesh Rathod House Number : 12/40 Age : 22 Gender : Male</p> <p>Photo</p> <p>Available</p>
<p>76</p> <p>ZOV0431627</p> <p>Name : Vinita Ramesh Rathod Fathers Name: Ramesh Rathod House Number : 12/40 Age : 20 Gender : Female</p> <p>Photo</p> <p>Available</p>	<p>77</p> <p>MXY0968131</p> <p>Name : Laxman Garur Fathers Name: Rama Garur House Number : 12/42 Age : 53 Gender : Male</p> <p>Photo</p> <p>Available</p>	<p>78</p> <p>MXY1350883</p> <p>Name : Basavva Garur Fathers Name: Rama Garur House Number : 12/42 Age : 37 Gender : Female</p> <p>Photo</p> <p>Available</p>
<p>79</p> <p>ZOV0286989</p> <p>Name : Liyakat Alnawar Fathers Name: Fakruddin Alnawar House Number : 12/43 Age : 30 Gender : Male</p> <p>Photo</p> <p>Available</p>	<p>80</p> <p>ZOV0400077</p> <p>Name : Fakruddin Alnawar Fathers Name: Pirsab Alnawar House Number : 12/43 Age : 61 Gender : Male</p> <p>Photo</p> <p>Available</p>	<p>81</p> <p>ZOV0400069</p> <p>Name : Maranbi Alnawar Husbands Name: Fakruddin Alnawar House Number : 12/43 Age : 56 Gender : Female</p> <p>Photo</p> <p>Available</p>
<p>82</p> <p>MXY1355676</p> <p>Name : Asaad Alnawar Fathers Name: Fakruddin Alnawar House Number : 12/43 Age : 42 Gender : Male</p> <p>Photo</p> <p>Available</p>	<p>83</p> <p>MXY1355684</p> <p>Name : Dadapir Alnawar Fathers Name: Fakruddin Alnawar House Number : 12/43 Age : 39 Gender : Male</p> <p>Photo</p> <p>Available</p>	<p>84</p> <p>MXY1355718</p> <p>Name : Mustaf Alnawar Fathers Name: Fakruddin Alnawar House Number : 12/43 Age : 38 Gender : Male</p> <p>Photo</p> <p>Available</p>
<p>85</p> <p>ZOV0337659</p> <p>Name : Nurjan Alnawar Husbands Name: Mustak Alnawar House Number : 12/43 Age : 31 Gender : Female</p> <p>Photo</p> <p>Available</p>	<p>86</p> <p>ZOV0277996</p> <p>Name : Salim Alnawar Fathers Name: Fakruddin Alnawar House Number : 12/43 Age : 31 Gender : Male</p> <p>Photo</p> <p>Available</p>	<p>87</p> <p>ZOV0238188</p> <p>Name : Pega Kaladagi Husbands Name: Suresh Kaladagi House Number : 12/44 Age : 43 Gender : Female</p> <p>Photo</p> <p>Available</p>
<p>88</p> <p>ZOV0310177</p> <p>Name : Suresh Kaladagi Fathers Name: Dileep Kaladagi House Number : 12/44 Age : 42 Gender : Male</p> <p>Photo</p> <p>Available</p>	<p>89</p> <p>ZOV0381608</p> <p>Name : MAHENDRA MORE Fathers Name: SHRIKANT MORE House Number : 12/44 Age : 54 Gender : Male</p> <p>Photo</p> <p>Available</p>	<p>90</p> <p>MXY1350891</p> <p>Name : Vaishali More Husbands Name: Sanjay More House Number : 12/45 Age : 44 Gender : Female</p> <p>Photo</p> <p>Available</p>

<p>91</p> <p>ZOV0369926</p> <p>Name : Akash More Fathers Name: Sanjay More House Number : 12/45 Age : 24 Gender : Male</p> <p>Photo</p> <p>Available</p>	<p>92</p> <p>ZOV0418152</p> <p>Name : Tarun More Fathers Name: Sanjay More House Number : 12/45 Age : 21 Gender : Male</p> <p>Photo</p> <p>Available</p>	<p>93</p> <p>ZOV0339135</p> <p>Name : Nagappa Egalage Fathers Name: Kankappa Egalage House Number : 12/46 Age : 41 Gender : Male</p> <p>Photo</p> <p>Available</p>
<p>94</p> <p>ZOV0339127</p> <p>Name : Renuka Egalagi Husbands Name: Nagappa Egalagi House Number : 12/46 Age : 44 Gender : Female</p> <p>Photo</p> <p>Available</p>	<p>95</p> <p>ZOV0400044</p> <p>Name : Sunita Gavandar Husbands Name: Parshuram Gavandar House Number : 12/46 Age : 56 Gender : Female</p> <p>Photo</p> <p>Available</p>	<p>96</p> <p>MXY9308404</p> <p>Name : Subash Gavandar Fathers Name: Parshuram Gavandar House Number : 12/46 Age : 40 Gender : Male</p> <p>Photo</p> <p>Available</p>
<p>97</p> <p>ZOV0275511</p> <p>Name : Prashant Gavandar Fathers Name: Parshuram Gavandar House Number : 12/46 Age : 33 Gender : Male</p> <p>Photo</p> <p>Available</p>	<p>98</p> <p>MXY1353846</p> <p>Name : Prasad Dudhwade Fathers Name: Kacharuba Dudhwade House Number : 12/47 Age : 47 Gender : Male</p> <p>Photo</p> <p>Available</p>	<p>99</p> <p>ZOV0367128</p> <p>Name : Anjana Dudhwade Husbands Name: Prasad Dudhwade House Number : 12/47 Age : 43 Gender : Female</p> <p>Photo</p> <p>Available</p>
<p>100</p> <p>ZOV0339101</p> <p>Name : Karish Dudhwade Fathers Name: Prasad Dudhwade House Number : 12/47 Age : 27 Gender : Male</p> <p>Photo</p> <p>Available</p>	<p>101</p> <p>ZOV0400036</p> <p>Name : Rukmini Suryavanshi Husbands Name: Sitaram Suryavanshi House Number : 12/47 Age : 68 Gender : Female</p> <p>Photo</p> <p>Available</p>	<p>102</p> <p>MXY1351154</p> <p>Name : Ranjana Suryavanshi Fathers Name: Sitaram Suryavanshi House Number : 12/47 Age : 38 Gender : Female</p> <p>Photo</p> <p>Available</p>
<p>103</p> <p>ZOV0068833</p> <p>Name : Ramiza Davangiri Husbands Name: Aijisab Davangiri House Number : 12/49 Age : 79 Gender : Female</p> <p>Photo</p> <p>Available</p>	<p>104</p> <p>ZOV0380279</p> <p>Name : Faraha Khan Fathers Name: Farukh Khan House Number : 12/49 Age : 24 Gender : Female</p> <p>Photo</p> <p>Available</p>	<p>105</p> <p>MXY7744386</p> <p>Name : Yasmin Shaikh Husbands Name: Abdul Shaikh House Number : 12/49 Age : 41 Gender : Female</p> <p>Photo</p> <p>Available</p>
<p>106</p> <p>ZOV0381616</p> <p>Name : FIJABANU SHAIKH Fathers Name: ABDUL AZIZ SHAIKH House Number : 12/49 Age : 23 Gender : Female</p> <p>Photo</p> <p>Available</p>	<p>107</p> <p>ZOV0266676</p> <p>Name : Nitin Daddi Fathers Name: Sidappa Daddi House Number : 12/50 Age : 33 Gender : Male</p> <p>Photo</p> <p>Available</p>	<p>108</p> <p>MXY1354513</p> <p>Name : Padma Dodamani Husbands Name: Mallappa Dodamani House Number : 12/50 Age : 57 Gender : Female</p> <p>Photo</p> <p>Available</p>
<p>109</p> <p>MXY1354539</p> <p>Name : Radhika Gaundar Husbands Name: Rama Gaundar House Number : 12/50 Age : 52 Gender : Female</p> <p>Photo</p> <p>Available</p>	<p>110</p> <p>ZOV0278051</p> <p>Name : Rakesh Goudar Fathers Name: Rama Goudar House Number : 12/50 Age : 31 Gender : Male</p> <p>Photo</p> <p>Available</p>	<p>111</p> <p>ZOV0238790</p> <p>Name : Vasant Patil Fathers Name: Shankar Patil House Number : 12/50 Age : 34 Gender : Male</p> <p>Photo</p> <p>Available</p>
<p>112</p> <p>MXY1350024</p> <p>Name : Tukaram Daddi Fathers Name: Bhimappa Daddi House Number : 12/51 Age : 89 Gender : Male</p> <p>Photo</p> <p>Available</p>	<p>113</p> <p>ZOV0268904</p> <p>Name : Namdev Daddi Fathers Name: Sangamesh Daddi House Number : 12/51 Age : 44 Gender : Male</p> <p>Photo</p> <p>Available</p>	<p>114</p> <p>ZOV0067843</p> <p>Name : Laxmi Daddi Husbands Name: Namdev Daddi House Number : 12/51 Age : 41 Gender : Female</p> <p>Photo</p> <p>Available</p>
<p>115</p> <p>ZOV0344994</p> <p>Name : Ravi Daddi Fathers Name: Sangamesh Daddi House Number : 12/51 Age : 39 Gender : Male</p> <p>Photo</p> <p>Available</p>	<p>116</p> <p>ZOV0344895</p> <p>Name : Sakhu Daddi Husbands Name: Ravi Daddi House Number : 12/51 Age : 35 Gender : Female</p> <p>Photo</p> <p>Available</p>	<p>117</p> <p>ZOV0419895</p> <p>Name : Lalmani Jayprakash Husbands Name: Jayprakash Kumar Kuddanavar House Number : 12/52 Age : 40 Gender : Female</p> <p>Photo</p> <p>Available</p>
<p>118</p> <p>ZOV0384750</p> <p>Name : Subhadra Kampad Husbands Name: Bhiamappa Kampad House Number : 12/52 Age : 52 Gender : Female</p> <p>Photo</p> <p>Available</p>	<p>119</p> <p>ZOV0238238</p> <p>Name : Appasaheb Kuddanavar Fathers Name: Rangappa Kuddanavar House Number : 12/52 Age : 48 Gender : Male</p> <p>Photo</p> <p>Available</p>	<p>120</p> <p>ZOV0199364</p> <p>Name : Saraswati Kuddanavar Husbands Name: Appasaheb Kuddanavar House Number : 12/52 Age : 40 Gender : Female</p> <p>Photo</p> <p>Available</p>

<p>121</p> <p>ZOV0415372</p> <p>Name : Sapana Kuddannavar Fathers Name: Appasaheb Kuddannavar House Number : 12/52 Age : 22 Gender : Female</p> <p>Photo Available</p>	<p>122</p> <p>ZOV0352096</p> <p>Name : Goutam Kuddannavar Fathers Name: Appasaheb Kuddannavar House Number : 12/52 Age : 26 Gender : Male</p> <p>Photo Available</p>	<p>123</p> <p>ZOV0420497</p> <p>Name : Jayprakash Kumar Fathers Name: Jagdariram Kumar House Number : 12/52 Age : 46 Gender : Male</p> <p>Photo Available</p>
<p>124</p> <p>ZOV0420539</p> <p>Name : Akash Kumar Fathers Name: Jaiprakash Kumar House Number : 12/52 Age : 21 Gender : Male</p> <p>Photo Available</p>	<p># 125</p> <p>MXY9308636</p> <p>Name : Malabai Avarkod Husbands Name: Shivappa Avarkod House Number : 12/54 Age : 61 Gender : Female</p> <p>Photo Available</p>	<p>126</p> <p>ZOV0367193</p> <p>Name : Reshma Awarkode Husbands Name: Sandeep Avarkod House Number : 12/54 Age : 34 Gender : Female</p> <p>Photo Available</p>
<p>127</p> <p>ZOV0310458</p> <p>Name : Nanda Jaipnur Husbands Name: Sadashiva Jaipnur House Number : 12/54 Age : 44 Gender : Female</p> <p>Photo Available</p>	<p>128</p> <p>ZOV0384776</p> <p>Name : Damini Jayapnnur Fathers Name: Sadashiv Jayapnnur House Number : 12/54 Age : 23 Gender : Female</p> <p>Photo Available</p>	<p>129</p> <p>ZOV0357053</p> <p>Name : Revati Jayapnur Fathers Name: Sada Jayapnur House Number : 12/54 Age : 25 Gender : Female</p> <p>Photo Available</p>
<p>130</p> <p>ZOV0431536</p> <p>Name : Sujal Sadashiv Jayapnur Fathers Name: Sadashiv Jayapnur House Number : 12/54 Age : 20 Gender : Male</p> <p>Photo Available</p>	<p>131</p> <p>ZOV0341479</p> <p>Name : Shweta Jayapnoor Fathers Name: Sada Jayappanawar House Number : 12/54 Age : 26 Gender : Female</p> <p>Photo Available</p>	<p>132</p> <p>ZOV0311829</p> <p>Name : Mayappa Kamble Fathers Name: Shankar Kamble House Number : 12/54 Age : 42 Gender : Male</p> <p>Photo Available</p>
<p>133</p> <p>ZOV0199281</p> <p>Name : Sangeeta Kamble Husbands Name: Mayappa Kamble House Number : 12/54 Age : 37 Gender : Female</p> <p>Photo Available</p>	<p>134</p> <p>ZOV0426189</p> <p>Name : Shaila Kamble Husbands Name: Prahad Kamble House Number : 12/54 Age : 32 Gender : Female</p> <p>Photo Available</p>	<p>135</p> <p>ZOV0310441</p> <p>Name : Prahad Shankar Fathers Name: Shankar Rayappa House Number : 12/54 Age : 33 Gender : Male</p> <p>Photo Available</p>
<p>136</p> <p>ZOV0311944</p> <p>Name : Rajiv Sulare Fathers Name: Namdev Sulare House Number : 12/54 Age : 40 Gender : Male</p> <p>Photo Available</p>	<p>137</p> <p>MXY1325661</p> <p>Name : Shobha Sulari Husbands Name: Raju Sulari House Number : 12/54 Age : 38 Gender : Female</p> <p>Photo Available</p>	<p>138</p> <p>ZOV0439174</p> <p>Name : SUHANA MAHAMMAD RAFIK ANKALGI Fathers Name: MAHAMMAD RAFIK ANKALGI House Number : 12/55 Age : 21 Gender : Female</p> <p>Photo Available</p>
<p>139</p> <p>ZOV0381640</p> <p>Name : SHAHANOOR ALI ANKALGI Fathers Name: MOHAMMAD RAFIQ ANKALGI House Number : 12/55 Age : 23 Gender : Male</p> <p>Photo Available</p>	<p>140</p> <p>ZOV0197376</p> <p>Name : Sairabanu Bijapur Husbands Name: Bashasab Bijapur House Number : 12/55 Age : 46 Gender : Female</p> <p>Photo Available</p>	<p>141</p> <p>ZOV0238758</p> <p>Name : Mohammadali Bijapur Fathers Name: Rajeshab Bijapur House Number : 12/55 Age : 44 Gender : Male</p> <p>Photo Available</p>
<p>142</p> <p>ZOV0197368</p> <p>Name : Nasima Bijapur Husbands Name: Mohammad Rafiq Ankalgi House Number : 12/55 Age : 41 Gender : Female</p> <p>Photo Available</p>	<p>143</p> <p>ZOV0345041</p> <p>Name : Munira Bijapur Husbands Name: Mohammadali Bijapur House Number : 12/55 Age : 32 Gender : Female</p> <p>Photo Available</p>	<p>144</p> <p>ZOV0287029</p> <p>Name : Shiraj Ahmad Bijapur Fathers Name: Bashasab Bijapur House Number : 12/55 Age : 31 Gender : Male</p> <p>Photo Available</p>
<p>145</p> <p>ZOV0359497</p> <p>Name : Shabina Bijapur Mothers Name: Bashasab Bijapur House Number : 12/55 Age : 27 Gender : Female</p> <p>Photo Available</p>	<p>146</p> <p>ZOV0326066</p> <p>Name : Bhiva Gawas Fathers Name: Madso Gawas House Number : 12/55 Age : 50 Gender : Male</p> <p>Photo Available</p>	<p>147</p> <p>ZOV0326074</p> <p>Name : Sumita Gawas Husbands Name: Bjiya Gawas House Number : 12/55 Age : 44 Gender : Female</p> <p>Photo Available</p>
<p>148</p> <p>ZOV0197350</p> <p>Name : Mahaboob BI Bijapur Husbands Name: Rajesab Bijapur House Number : 12/56 Age : 83 Gender : Female</p> <p>Photo Available</p>	<p>149</p> <p>MXY1353440</p> <p>Name : Dedapir Mulla Fathers Name: Jamalsab Mulla House Number : 12/d Age : 39 Gender : Male</p> <p>Photo Available</p>	<p>150</p> <p>MXY1354463</p> <p>Name : Jahangirsab Nilgar Fathers Name: Ahamadsab Nilgar House Number : 12/d Age : 54 Gender : Male</p> <p>Photo Available</p>

<p>151</p> <p>MXY1353887</p> <p>Name : Uma Dodamani Fathers Name: Mallappa Dodamani House Number : 12/50/a Age : 40 Gender : Female</p> <p>Photo</p> <p>Available</p>	<p>152</p> <p>MXY1366137</p> <p>Name : Manju Dodamani Fathers Name: Mallappa Dodamani House Number : 12/50/a Age : 38 Gender : Male</p> <p>Photo</p> <p>Available</p>	<p>153</p> <p>MXY1354406</p> <p>Name : Basuraj Dodamani Fathers Name: Mallappa Dodamani House Number : 12/50/a Age : 37 Gender : Male</p> <p>Photo</p> <p>Available</p>
<p>154</p> <p>ZOV0384768</p> <p>Name : Parvati Salave Husbands Name: Sadashiv Salave House Number : 12/04, Ward No. 6 Age : 35 Gender : Female</p> <p>Photo</p> <p>Available</p>	<p>155</p> <p>MXY1349232</p> <p>Name : SHAHIEBULLA KHAN Fathers Name: Nazir Pathan House Number : 13 Age : 40 Gender : Male</p> <p>Photo</p> <p>Available</p>	<p>156</p> <p>ZOV0399972</p> <p>Name : Shakirabi Pathan Husbands Name: Najir Ahamad Khan Pathan House Number : 13 Age : 77 Gender : Female</p> <p>Photo</p> <p>Available</p>
<p>157</p> <p>ZOV0399964</p> <p>Name : Nazir Pathan Fathers Name: Gulakhan Pathan House Number : 13 Age : 67 Gender : Male</p> <p>Photo</p> <p>Available</p>	<p>158</p> <p>MXY1354331</p> <p>Name : Musebulla Pathan Fathers Name: Nazir Pathan House Number : 13 Age : 36 Gender : Male</p> <p>Photo</p> <p>Available</p>	<p>159</p> <p>ZOV0431619</p> <p>Name : Mahaboobi Angadi Others : Shoukatali Angadi House Number : 13/2 Age : 34 Gender : Female</p> <p>Photo</p> <p>Available</p>
<p>160</p> <p>ZOV0431643</p> <p>Name : KARTIK KAILAS HOVALE Fathers Name: KAILAS HOVALE House Number : 13/34 Age : 22 Gender : Male</p> <p>Photo</p> <p>Available</p>	<p>161</p> <p>ZOV0426551</p> <p>Name : Mohamad harif Querodi Fathers Name: Haskar Querodi House Number : 14 Age : 21 Gender : Male</p> <p>Photo</p> <p>Available</p>	<p>162</p> <p>ZOV0254250</p> <p>Name : Rafik Sakali Fathers Name: Abdul Rehman Sakali House Number : 14 Age : 57 Gender : Male</p> <p>Photo</p> <p>Available</p>
<p>163</p> <p>ZOV0254268</p> <p>Name : Asha Sakali Husbands Name: Rafik Sakali House Number : 14 Age : 52 Gender : Female</p> <p>Photo</p> <p>Available</p>	<p>164</p> <p>MXY1354471</p> <p>Name : Iqbal Sakali Fathers Name: Subani Sakali House Number : 14 Age : 41 Gender : Male</p> <p>Photo</p> <p>Available</p>	<p>165</p> <p>MXY1354885</p> <p>Name : Ibrahim Sakhli Fathers Name: Subani Sakhli House Number : 14 Age : 35 Gender : Male</p> <p>Photo</p> <p>Available</p>
<p>166</p> <p>ZOV0297226</p> <p>Name : Farjana Bi Sakhli Husbands Name: Ibrahim Sakhli House Number : 14 Age : 33 Gender : Female</p> <p>Photo</p> <p>Available</p>	<p>167</p> <p>ZOV0238543</p> <p>Name : Tabassum Sakhli Fathers Name: Subani Sakhli House Number : 14 Age : 32 Gender : Female</p> <p>Photo</p> <p>Available</p>	<p>168</p> <p>ZOV0238568</p> <p>Name : Bahelul Sankli Fathers Name: Subani Sankli House Number : 14 Age : 34 Gender : Male</p> <p>Photo</p> <p>Available</p>
<p>169</p> <p>ZOV0431577</p> <p>Name : SAJIDA BI BARIKUNDRI Husbands Name: ASRAF BARIKUNDRI House Number : 14/B Age : 36 Gender : Female</p> <p>Photo</p> <p>Available</p>	<p>170</p> <p>MXY1353994</p> <p>Name : Mahamad Hakim Fathers Name: Hamid Hakim House Number : 14/b Age : 51 Gender : Male</p> <p>Photo</p> <p>Available</p>	<p>171</p> <p>MXY7761356</p> <p>Name : Bashira Hakim Husbands Name: Mohamad Hakim House Number : 14/B Age : 41 Gender : Female</p> <p>Photo</p> <p>Available</p>
<p>172</p> <p>ZOV0320606</p> <p>Name : Elihas Sakalee Fathers Name: Rafik Sakalee House Number : 14/B Age : 28 Gender : Male</p> <p>Photo</p> <p>Available</p>	<p>173</p> <p>ZOV0238550</p> <p>Name : Jafar Sadik Sakli Fathers Name: Rafik Sakli House Number : 14/B Age : 33 Gender : Male</p> <p>Photo</p> <p>Available</p>	<p>174</p> <p>ZOV0431668</p> <p>Name : Kasturi Sharanappa Doddamani Fathers Name: Sharanappa Doddamani House Number : 15 Age : 40 Gender : Female</p> <p>Photo</p> <p>Available</p>
<p>175</p> <p>ZOV0068940</p> <p>Name : Farida Jakali Husbands Name: Maqbul Jakali House Number : 15 Age : 44 Gender : Female</p> <p>Photo</p> <p>Available</p>	<p>176</p> <p>ZOV0421818</p> <p>Name : Tanaz Jakhali Fathers Name: Makbul Jakhali House Number : 15 Age : 21 Gender : Female</p> <p>Photo</p> <p>Available</p>	<p>177</p> <p>ZOV0422063</p> <p>Name : Arsalan Jakhli Fathers Name: Makbul Jakhli House Number : 15 Age : 22 Gender : Male</p> <p>Photo</p> <p>Available</p>
<p>178</p> <p>ZOV0068957</p> <p>Name : Julekha Nesargi Husbands Name: Mohidin Nesargi House Number : 15 Age : 49 Gender : Female</p> <p>Photo</p> <p>Available</p>	<p>179</p> <p>ZOV0384925</p> <p>Name : Salina Bi Nesargi Fathers Name: Mohddinsaheb Nesargi House Number : 15 Age : 25 Gender : Female</p> <p>Photo</p> <p>Available</p>	<p>180</p> <p>ZOV0343889</p> <p>Name : Mallik Nesergi Fathers Name: Mohidin Nesergi House Number : 15 Age : 27 Gender : Male</p> <p>Photo</p> <p>Available</p>

<p>181</p> <p>ZOV0238261</p> <p>Name : Mohamad Babajan Shaikh Fathers Name: Ibrahim Shaikh House Number : 15 Age : 58 Gender : Male</p> <p>Photo</p> <p>Available</p>	<p>182</p> <p>ZOV0238279</p> <p>Name : Shehnaz Bi Shaikh Husbands Name: Mohamad Babajan Shaikh House Number : 15 Age : 50 Gender : Female</p> <p>Photo</p> <p>Available</p>	<p>183</p> <p>ZOV0319525</p> <p>Name : Samarin Shaikh Fathers Name: Babajan Shaikh House Number : 15 Age : 28 Gender : Female</p> <p>Photo</p> <p>Available</p>
<p>184</p> <p>ZOV0343863</p> <p>Name : Salaudin Shaikh Fathers Name: Babajan Shaikh House Number : 15 Age : 26 Gender : Male</p> <p>Photo</p> <p>Available</p>	<p>185</p> <p>ZOV0418202</p> <p>Name : Aadil Shaikh Fathers Name: Babajan Shaikh House Number : 15 Age : 21 Gender : Male</p> <p>Photo</p> <p>Available</p>	<p>186</p> <p>ZOV0238576</p> <p>Name : Abdul Munaf Bijapur Fathers Name: Hussin Miya Bijapur House Number : 16 Age : 55 Gender : Male</p> <p>Photo</p> <p>Available</p>
<p>187</p> <p>ZOV0238287</p> <p>Name : Fatima Bi Bijapur Husbands Name: Abdulmunaf Bijapur House Number : 16 Age : 53 Gender : Female</p> <p>Photo</p> <p>Available</p>	<p>188</p> <p>ZOV0352088</p> <p>Name : Mubaraka Bijapuri Fathers Name: Abdul Munaf Bijapuri House Number : 16 Age : 26 Gender : Female</p> <p>Photo</p> <p>Available</p>	<p>189</p> <p>MXY1325240</p> <p>Name : Uttam Godase Fathers Name: Maruti Godase House Number : 16 Age : 46 Gender : Male</p> <p>Photo</p> <p>Available</p>
<p>190</p> <p>MXY1325281</p> <p>Name : Laximi Godase Husbands Name: Uttam Godase House Number : 16 Age : 43 Gender : Female</p> <p>Photo</p> <p>Available</p>	<p>191</p> <p>ZOV0419911</p> <p>Name : Mugutsab Hulikeri Fathers Name: Maktumsab Hulikeri House Number : 16 Age : 41 Gender : Male</p> <p>Photo</p> <p>Available</p>	<p>192</p> <p>ZOV0295071</p> <p>Name : Naseen Banu Hulikeri Husbands Name: Mugut Sab Halikeri House Number : 16 Age : 30 Gender : Female</p> <p>Photo</p> <p>Available</p>
<p>193</p> <p>ZOV0238816</p> <p>Name : Khadarbasha Mulla Fathers Name: Pirsab Mulla House Number : 16 Age : 47 Gender : Male</p> <p>Photo</p> <p>Available</p>	<p>194</p> <p>ZOV0368001</p> <p>Name : Fairoza Dodamani Husbands Name: Nagappa Dodmani House Number : 16/4 Age : 37 Gender : Female</p> <p>Photo</p> <p>Available</p>	<p>195</p> <p>MXY1323229</p> <p>Name : Nagappa Doddamani Fathers Name: Doddappa Doddamani House Number : 16/4 Age : 46 Gender : Male</p> <p>Photo</p> <p>Available</p>
<p>196</p> <p>ZOV0322271</p> <p>Name : Heena Patel Husbands Name: Ayub Khan Patel House Number : 16/4 Age : 29 Gender : Female</p> <p>Photo</p> <p>Available</p>	<p>197</p> <p>MXY7761307</p> <p>Name : Mahboob Khan Patil Fathers Name: Sattarkhan Patil House Number : 16/4 Age : 48 Gender : Male</p> <p>Photo</p> <p>Available</p>	<p>198</p> <p>MXY7745698</p> <p>Name : Ayub Patil Fathers Name: Sattarkhan Patil House Number : 16/4 Age : 45 Gender : Male</p> <p>Photo</p> <p>Available</p>
<p>199</p> <p>ZOV0420513</p> <p>Name : Karishmabanu Jangeri Fathers Name: Abdul Sukur Jangeri House Number : 16/13 Age : 24 Gender : Female</p> <p>Photo</p> <p>Available</p>	<p>200</p> <p>ZOV0420521</p> <p>Name : Mizban Jangeri Fathers Name: Abdul Sukur Jangeri House Number : 16/13 Age : 22 Gender : Female</p> <p>Photo</p> <p>Available</p>	<p>201</p> <p>ZOV0420505</p> <p>Name : Mahek Jangeri Fathers Name: Abdul Sukur Jangeri House Number : 16/13 Age : 22 Gender : Female</p> <p>Photo</p> <p>Available</p>
<p>202</p> <p>ZOV0431528</p> <p>Name : Fatima Khadroli Fathers Name: Noorahmad Khadroli House Number : 17 Age : 27 Gender : Female</p> <p>Photo</p> <p>Available</p>	<p>203</p> <p>ZOV0197400</p> <p>Name : Rafik Khan Fathers Name: Alla Bakash Khan House Number : 17 Age : 35 Gender : Male</p> <p>Photo</p> <p>Available</p>	<p>204</p> <p>ZOV0334565</p> <p>Name : Gauns Khan Fathers Name: Allabakash Khan House Number : 17 Age : 33 Gender : Male</p> <p>Photo</p> <p>Available</p>
<p>205</p> <p>ZOV0305847</p> <p>Name : Bibi Ayisha Khan Fathers Name: Alla Bakash Khan House Number : 17 Age : 31 Gender : Female</p> <p>Photo</p> <p>Available</p>	<p>206</p> <p>ZOV0425389</p> <p>Name : Aisha Sattigiri Husbands Name: Noor Ahmed Kadaroli House Number : 17 Age : 47 Gender : Female</p> <p>Photo</p> <p>Available</p>	<p>207</p> <p>MXY7753528</p> <p>Name : Madan Sharma Fathers Name: Shivmurat Sharma House Number : 17 Age : 51 Gender : Male</p> <p>Photo</p> <p>Available</p>
<p>208</p> <p>MXY1516608</p> <p>Name : Rampyari Sharma Husbands Name: Madan Sharma House Number : 17 Age : 50 Gender : Female</p> <p>Photo</p> <p>Available</p>	<p>209</p> <p>ZOV0320960</p> <p>Name : Santosh Sharma Fathers Name: Madan Sharma House Number : 17 Age : 28 Gender : Male</p> <p>Photo</p> <p>Available</p>	<p>210</p> <p>ZOV0424804</p> <p>Name : Sandeep Sharma Fathers Name: Madan Sharma House Number : 17/A-1 Age : 22 Gender : Male</p> <p>Photo</p> <p>Available</p>

<p>211</p> <p>ZOV0302638</p> <p>Name : Bashira Bi Tahshildar Husbands Name: Arif Tahshildar House Number : 18 Age : 30 Gender : Female</p> <p>Photo Available</p>	<p>212</p> <p>MXY0965962</p> <p>Name : Ali Murtuja Tahasildar Fathers Name: Ahamad Tahasildar House Number : 18/3 Age : 86 Gender : Male</p> <p>Photo Available</p>	<p>213</p> <p>MXY7765613</p> <p>Name : Shakila Bi Tahasildar Fathers Name: Murtuja Tahasildar House Number : 18/3 Age : 55 Gender : Female</p> <p>Photo Available</p>
<p>214</p> <p>MXY0967539</p> <p>Name : Shamshabi Tahasildar Husbands Name: Ali Murtuja Tahasildar House Number : 18/3 Age : 52 Gender : Female</p> <p>Photo Available</p>	<p>215</p> <p>MXY0967596</p> <p>Name : Mehboob Subhani Tahasildar Fathers Name: Ali Murtuja Tahasildar House Number : 18/3 Age : 50 Gender : Male</p> <p>Photo Available</p>	<p>216</p> <p>MXY1369727</p> <p>Name : Sajanbi Tahasildar Husbands Name: Mehboob Sybhani Tahasildar House Number : 18/3 Age : 45 Gender : Female</p> <p>Photo Available</p>
<p>S 217</p> <p>ZOV0267617</p> <p>Name : Davaibi Kerigatti Husbands Name: Mohamad Gaus Kerigatti House Number : 18/A Age : 83 Gender : Female</p> <p>Photo Available</p>	<p>218</p> <p>ZOV0267625</p> <p>Name : Khajamodin Kerigatti Fathers Name: Mohamad Gaus Kerigatti House Number : 18/A Age : 44 Gender : Male</p> <p>Photo Available</p>	<p>219</p> <p>ZOV0422386</p> <p>Name : Meenaz Banu Mohammed Azam Tahasildar Fathers Name: Mohammed Azam Tahasildar House Number : 18/A Age : 21 Gender : Female</p> <p>Photo Available</p>
<p>220</p> <p>MXY1355726</p> <p>Name : Mahamad Azam Tahasildar Fathers Name: Hasin Ahamad Tahasildar House Number : 18/a Age : 54 Gender : Male</p> <p>Photo Available</p>	<p>221</p> <p>MXY1364017</p> <p>Name : Zarinabi Tahasildar Husbands Name: Mahamad Azam Tahasildar House Number : 18/a Age : 43 Gender : Female</p> <p>Photo Available</p>	<p>222</p> <p>MXY9306424</p> <p>Name : Tahir Ahamad Tahshildar Fathers Name: Hasin Ahamad Tahshildar House Number : 18/a Age : 56 Gender : Male</p> <p>Photo Available</p>
<p>223</p> <p>ZOV0238295</p> <p>Name : Bibi Zahira Tashildar Husbands Name: Imteeyaz Tashildar House Number : 18/A Age : 38 Gender : Female</p> <p>Photo Available</p>	<p>224</p> <p>ZOV0238584</p> <p>Name : Mousim Khan Dhalayat Fathers Name: Noor Ahamad Dhalayat House Number : 18/B Age : 32 Gender : Male</p> <p>Photo Available</p>	<p>225</p> <p>ZOV0431692</p> <p>Name : Mahejabin Dhalayat Husbands Name: Mousimkhan Dhalayat House Number : 18/B Age : 27 Gender : Female</p> <p>Photo Available</p>
<p>226</p> <p>MXY0967653</p> <p>Name : Khalil Tahshildar Fathers Name: Ahamadsab Tahshildar House Number : 18/B Age : 72 Gender : Male</p> <p>Photo Available</p>	<p>227</p> <p>MXY0967588</p> <p>Name : Habiboonhisa Tahshildar Husbands Name: Khalil Tahshildar House Number : 18/B Age : 69 Gender : Female</p> <p>Photo Available</p>	<p>228</p> <p>MXY0966119</p> <p>Name : Niyaz Tahshildar Fathers Name: Khalil Tahshildar House Number : 18/B Age : 44 Gender : Male</p> <p>Photo Available</p>
<p>229</p> <p>MXY0966176</p> <p>Name : Irfan Tahshildar Fathers Name: Khalil Tahshildar House Number : 18/B Age : 40 Gender : Male</p> <p>Photo Available</p>	<p>230</p> <p>ZOV0249664</p> <p>Name : Aasma Tashildar Husbands Name: Niyaz Tashildar House Number : 18/B Age : 38 Gender : Female</p> <p>Photo Available</p>	<p>231</p> <p>MXY0965988</p> <p>Name : Ashrafali Sakali Fathers Name: Mahamad Hussain Sakali House Number : 18/C Age : 59 Gender : Male</p> <p>Photo Available</p>
<p>232</p> <p>MXY0965996</p> <p>Name : Munnera Sakali Husbands Name: Ashraf Sakali House Number : 18/C Age : 54 Gender : Female</p> <p>Photo Available</p>	<p>233</p> <p>MXY1371566</p> <p>Name : Shahin Sakali Fathers Name: Ashraf Sakali House Number : 18/c Age : 38 Gender : Female</p> <p>Photo Available</p>	<p>234</p> <p>MXY1370808</p> <p>Name : Ijaz Sakali Fathers Name: Ashraf Sakali House Number : 18/c Age : 37 Gender : Male</p> <p>Photo Available</p>
<p># 235</p> <p>MXY1369867</p> <p>Name : Rozanabi Tahsildar Husbands Name: Faiyaz Tahasildar House Number : 18/c Age : 46 Gender : Female</p> <p>Photo Available</p>	<p>236</p> <p>MXY0966101</p> <p>Name : Imteeyaz Mansur A Tahashildar Fathers Name: Mansuramath Tahshildar House Number : 18/D Age : 43 Gender : Male</p> <p>Photo Available</p>	<p>237</p> <p>MXY0965970</p> <p>Name : Mansur Ahamad Tahshildar Fathers Name: Ahamadsab Tahshildar House Number : 18/D Age : 68 Gender : Male</p> <p>Photo Available</p>
<p>238</p> <p>MXY0965954</p> <p>Name : Zulekha Bi Tashildar Husbands Name: Mansur Thamad Tahshildar House Number : 18/D Age : 64 Gender : Female</p> <p>Photo Available</p>	<p>239</p> <p>MXY0945311</p> <p>Name : Harif Ahmaid Tashildar Fathers Name: Mansur Tahshildar House Number : 18/D Age : 42 Gender : Male</p> <p>Photo Available</p>	<p>240</p> <p>ZOV0355685</p> <p>Name : Mehraj Husbands Name: Mohsin Akhtar Tashildar House Number : 19 Age : 35 Gender : Female</p> <p>Photo Available</p>

<p>241</p> <p>MX Y1369701</p> <p>Name : Beebi Fatima Tahashildar Husbands Name: Muzahid Tahashildar House Number : 19 Age : 35 Gender : Female</p> <p>Photo Available</p>	<p>242</p> <p>MX Y0945329</p> <p>Name : Naveed Tahasildar Fathers Name: Noorahmed Tahasildar House Number : 19 Age : 47 Gender : Male</p> <p>Photo Available</p>	<p>243</p> <p>MX Y7744261</p> <p>Name : Parvinbano Tahasildar Husbands Name: Naveed Tahasildar House Number : 19 Age : 44 Gender : Female</p> <p>Photo Available</p>
<p>244</p> <p>ZOV0436865</p> <p>Name : MISBA TAHASILDAR Fathers Name: NAVEED NOORAHMED TAHASILDAR House Number : 19 Age : 20 Gender : Female</p> <p>Photo Available</p>	<p>245</p> <p>ZOV0399915</p> <p>Name : Noor Ahamad Tahshildar Fathers Name: Ahamadsab Tahshildar House Number : 19 Age : 81 Gender : Male</p> <p>Photo Available</p>	<p>246</p> <p>MX Y0945444</p> <p>Name : Nazima Tahsildar Fathers Name: Noor Ahamad Tahsildar House Number : 19 Age : 43 Gender : Female</p> <p>Photo Available</p>
<p>247</p> <p>MX Y0967661</p> <p>Name : Muzahid Tahsildar Fathers Name: Noor Tahsildar House Number : 19 Age : 42 Gender : Male</p> <p>Photo Available</p>	<p>248</p> <p>MX Y0966077</p> <p>Name : Mohsin Akhtar Tashildar Fathers Name: Noor Ahmed Tashildar House Number : 19 Age : 41 Gender : Male</p> <p>Photo Available</p>	<p>249</p> <p>MX Y1323153</p> <p>Name : Hazaratali Amdunawar Fathers Name: Pirsab Amdunawar House Number : 19/1 Age : 51 Gender : Male</p> <p>Photo Available</p>
<p>250</p> <p>MX Y1376946</p> <p>Name : Kasimbi Aaldi Husbands Name: Mohamad Hanif Aaldi House Number : 19/2 Age : 69 Gender : Female</p> <p>Photo Available</p>	<p>S 251</p> <p>MX Y0945436</p> <p>Name : Nefiza Aaldi Husbands Name: Abdulin Alby House Number : 19/2 Age : 47 Gender : Female</p> <p>Photo Available</p>	<p>252</p> <p>ZOV0399865</p> <p>Name : Allauddin Aaldi Fathers Name: Mahamadsab Aaldi House Number : 19/2 Age : 47 Gender : Male</p> <p>Photo Available</p>
<p>253</p> <p>MX Y1376961</p> <p>Name : Badshah Aaldi Fathers Name: Mohamad Hanif Aaldi House Number : 19/2 Age : 44 Gender : Male</p> <p>Photo Available</p>	<p>254</p> <p>MX Y1369735</p> <p>Name : Jainoddin Aaldi Fathers Name: Mohamad Hanif Aaldi House Number : 19/2 Age : 35 Gender : Male</p> <p>Photo Available</p>	<p>255</p> <p>ZOV0381632</p> <p>Name : BIBI AMINA AALDI Husbands Name: JAINODDIN AALDI House Number : 19/2 Age : 33 Gender : Female</p> <p>Photo Available</p>
<p>256</p> <p>ZOV0376376</p> <p>Name : Jishan Bankapur Fathers Name: Nagir Bankapur House Number : 19/3 Age : 24 Gender : Male</p> <p>Photo Available</p>	<p>257</p> <p>ZOV0423129</p> <p>Name : Sarfaraj Bankapur Fathers Name: Nazir Ahmed House Number : 19/3 Age : 22 Gender : Male</p> <p>Photo Available</p>	<p>258</p> <p>ZOV0293175</p> <p>Name : Abdulasab Hanchinamani Fathers Name: Hasanasab Hanchinamani House Number : 19/3 Age : 39 Gender : Male</p> <p>Photo Available</p>
<p>259</p> <p>MX Y1363431</p> <p>Name : Aminabi Hanchinmani Husbands Name: Abdulsab Hanchinmani House Number : 19/3 Age : 37 Gender : Female</p> <p>Photo Available</p>	<p>260</p> <p>MX Y0945543</p> <p>Name : Ahamad Khan Pathan Fathers Name: Mohamuddin Pathan House Number : 19/3 Age : 63 Gender : Male</p> <p>Photo Available</p>	<p>261</p> <p>ZOV0203026</p> <p>Name : Shabbir Pathan Fathers Name: Mohamaddin Pathan House Number : 19/3 Age : 60 Gender : Male</p> <p>Photo Available</p>
<p>262</p> <p>ZOV0203125</p> <p>Name : Mehboobi Pathan Husbands Name: Shabbir Pathan House Number : 19/3 Age : 56 Gender : Female</p> <p>Photo Available</p>	<p>263</p> <p>MX Y0966143</p> <p>Name : Shakilabanu Pathan Husbands Name: Ahamadkhan Pathan House Number : 19/3 Age : 56 Gender : Female</p> <p>Photo Available</p>	<p>264</p> <p>ZOV0203182</p> <p>Name : Yasin Pathan Fathers Name: Mohamuddin Pathan House Number : 19/3 Age : 50 Gender : Male</p> <p>Photo Available</p>
<p>265</p> <p>MX Y9308503</p> <p>Name : Mumtaz Pathan Husbands Name: Yasim Pathan House Number : 19/3 Age : 47 Gender : Female</p> <p>Photo Available</p>	<p>266</p> <p>MX Y1354968</p> <p>Name : Sayad Latif Hodayal Fathers Name: Dadapirsab Hodayal House Number : 19/3/b Age : 38 Gender : Male</p> <p>Photo Available</p>	<p>267</p> <p>MX Y1363548</p> <p>Name : Abdulla Jakhete Fathers Name: Imamsab Jakhete House Number : 19/3/b Age : 39 Gender : Male</p> <p>Photo Available</p>
<p>268</p> <p>MX Y1354711</p> <p>Name : Habibulla Nodayal Fathers Name: Dadapirsab Nodayal House Number : 19/3/b Age : 42 Gender : Male</p> <p>Photo Available</p>	<p>269</p> <p>MX Y1369024</p> <p>Name : Nazir Ahamad Bankapur Fathers Name: Nafur Bankapur House Number : 19/3/c Age : 52 Gender : Male</p> <p>Photo Available</p>	<p>270</p> <p>MX Y1373646</p> <p>Name : Shahista Bankapur Husbands Name: Nazir Ahamad Bankapur House Number : 19/3/C Age : 49 Gender : Female</p> <p>Photo Available</p>

<p>271</p> <p>MXY1351469</p> <p>Name : Chaman Muzavar Fathers Name: Imamsab Muzavar House Number : 19/3/c Age : 43 Gender : Male</p> <p>Photo</p> <p>Available</p>	<p>S 272</p> <p>ZOV0068460</p> <p>Name : Faridabanu Patel Husbands Name: Shabbir Patel House Number : 19/3/c Age : 43 Gender : Female</p> <p>Photo</p> <p>Available</p>	<p>273</p> <p>MXY1351949</p> <p>Name : Shabbir Ahamad Patil Fathers Name: Mukdumsab Patil House Number : 19/3/c Age : 49 Gender : Male</p> <p>Photo</p> <p>Available</p>
<p>S 274</p> <p>ZOV0270389</p> <p>Name : Nurulla Patil Fathers Name: Makdumsab Patil House Number : 19/3/C Age : 47 Gender : Male</p> <p>Photo</p> <p>Available</p>	<p>275</p> <p>ZOV0270298</p> <p>Name : Abdul Kadar Talikutti Fathers Name: Hazrat Sab Talikutti House Number : 19/3/C Age : 49 Gender : Male</p> <p>Photo</p> <p>Available</p>	<p>276</p> <p>ZOV0270397</p> <p>Name : Shahanzbi Talikutti Husbands Name: Abdul Kadar Talikutti House Number : 19/3/C Age : 45 Gender : Female</p> <p>Photo</p> <p>Available</p>
<p># 277</p> <p>MXY0966002</p> <p>Name : Mahamad Sharif Herekar Fathers Name: Budesab Herekar House Number : 20 Age : 74 Gender : Male</p> <p>Photo</p> <p>Available</p>	<p>278</p> <p>MXY0945485</p> <p>Name : Khatun Bi Herekar Husbands Name: Mahammad Sherif Herekar House Number : 20 Age : 64 Gender : Female</p> <p>Photo</p> <p>Available</p>	<p>279</p> <p>MXY0945501</p> <p>Name : Munera Herekar Husbands Name: Ajim Herekar House Number : 20 Age : 48 Gender : Female</p> <p>Photo</p> <p>Available</p>
<p>280</p> <p>ZOV0354159</p> <p>Name : Mushtak Ahammad Herekar Fathers Name: Mahamad Azim Herekar House Number : 20 Age : 26 Gender : Male</p> <p>Photo</p> <p>Available</p>	<p>281</p> <p>ZOV0399857</p> <p>Name : Ikbal Hirekar Fathers Name: Mohammad Sherif Hirekar House Number : 20 Age : 54 Gender : Male</p> <p>Photo</p> <p>Available</p>	<p>282</p> <p>MXY0966093</p> <p>Name : Ajim Mohamad Sharif Hirekar Fathers Name: Sharif Herekar House Number : 20 Age : 51 Gender : Male</p> <p>Photo</p> <p>Available</p>
<p>S 283</p> <p>ZOV0313379</p> <p>Name : Zabin Hirekar Fathers Name: Ikbal Mohammed Hirekar House Number : 20 Age : 29 Gender : Female</p> <p>Photo</p> <p>Available</p>	<p>284</p> <p>ZOV0354696</p> <p>Name : Shahin Hirekar Fathers Name: Mohammad Azim Hirekar House Number : 20 Age : 25 Gender : Female</p> <p>Photo</p> <p>Available</p>	<p>285</p> <p>ZOV0381624</p> <p>Name : SHABINA HIREKAR Fathers Name: MOHAMMAD AZIM HIREKAR House Number : 20 Age : 24 Gender : Female</p> <p>Photo</p> <p>Available</p>
<p>286</p> <p>ZOV0354167</p> <p>Name : Subhani Hirekar Fathers Name: Ikbal Hirekar House Number : 20 Age : 26 Gender : Male</p> <p>Photo</p> <p>Available</p>	<p>287</p> <p>MXY0966960</p> <p>Name : Mumataj Bi Khan Husbands Name: Ayub Khan House Number : 20 Age : 63 Gender : Female</p> <p>Photo</p> <p>Available</p>	<p>288</p> <p>ZOV0238311</p> <p>Name : Abdul Khan Fathers Name: Ayub Zkhan House Number : 20 Age : 33 Gender : Male</p> <p>Photo</p> <p>Available</p>
<p>289</p> <p>ZOV0322248</p> <p>Name : Salma Bi Khan Fathers Name: Ayub Khan House Number : 20 Age : 29 Gender : Female</p> <p>Photo</p> <p>Available</p>	<p>290</p> <p>MXY0945477</p> <p>Name : Yashmin Shapi Morab Husbands Name: Shafi Morab House Number : 20 Age : 52 Gender : Female</p> <p>Photo</p> <p>Available</p>	<p>291</p> <p>ZOV0267609</p> <p>Name : Rashida Yargatti Fathers Name: Shamshuddin Yargatti House Number : 20/1 Age : 79 Gender : Female</p> <p>Photo</p> <p>Available</p>
<p>292</p> <p>MXY1516624</p> <p>Name : Chitrava Kamble Husbands Name: Gopal Kamble House Number : 21 Age : 67 Gender : Female</p> <p>Photo</p> <p>Available</p>	<p>293</p> <p>ZOV0238832</p> <p>Name : Naveeda Bi Khan Fathers Name: Nazmuddin Khan House Number : 21 Age : 34 Gender : Female</p> <p>Photo</p> <p>Available</p>	<p>294</p> <p>NUP0310029</p> <p>Name : Hina Bhagawan Fathers Name: Mehaboob Bhagawan House Number : 21/1 Age : 28 Gender : Female</p> <p>Photo</p> <p>Available</p>
<p>295</p> <p>ZOV0279257</p> <p>Name : Farida Rajabali Husbands Name: Mahamad Hussain Rajabali House Number : 21/1 Age : 54 Gender : Female</p> <p>Photo</p> <p>Available</p>	<p>296</p> <p>ZOV0238337</p> <p>Name : Jainabi Shaikh Husbands Name: Ibrahim Shaikh House Number : 22 Age : 84 Gender : Female</p> <p>Photo</p> <p>Available</p>	<p>297</p> <p>ZOV0399881</p> <p>Name : Mohamad Rafik Shaikh Fathers Name: Ibrahim Shaikh House Number : 22 Age : 59 Gender : Male</p> <p>Photo</p> <p>Available</p>
<p>298</p> <p>ZOV0399873</p> <p>Name : Fatimabi Shaikh Husbands Name: Mohamad Rafik Shaikh House Number : 22 Age : 49 Gender : Female</p> <p>Photo</p> <p>Available</p>	<p>299</p> <p>ZOV0238329</p> <p>Name : Destgir Shaikh Fathers Name: Faruk Shaikh House Number : 22 Age : 33 Gender : Male</p> <p>Photo</p> <p>Available</p>	<p>300</p> <p>ZOV0323402</p> <p>Name : Karjana Shaikh Fathers Name: Rafik Shaikh House Number : 22 Age : 30 Gender : Female</p> <p>Photo</p> <p>Available</p>

<p>301</p> <p>ZOV0344838</p> <p>Name : Basera Shaikh Fathers Name: Mohammad Rafik Shaikh House Number : 22 Age : 28 Gender : Female</p> <p>Photo</p> <p>Available</p>	<p>302</p> <p>ZOV0359513</p> <p>Name : Mallik Jaan Shaikh Fathers Name: Mohamad Rafik Shaikh House Number : 22 Age : 26 Gender : Male</p> <p>Photo</p> <p>Available</p>	<p>303</p> <p>ZOV0295089</p> <p>Name : Nazmuddin Khan Fathers Name: Mainuddin Khan House Number : 22/1 Age : 37 Gender : Male</p> <p>Photo</p> <p>Available</p>
<p>304</p> <p>ZOV0431676</p> <p>Name : Afsana Khan Fathers Name: Aftab Khan House Number : 22-1 Age : 20 Gender : Female</p> <p>Photo</p> <p>Available</p>	<p>305</p> <p>ZOV0424614</p> <p>Name : Akshaya Wadar Husbands Name: Sunny Wadar House Number : 22/A Age : 31 Gender : Female</p> <p>Photo</p> <p>Available</p>	<p>306</p> <p>MXY7744600</p> <p>Name : Mahamad Jamir Herekar Fathers Name: Mahammad Ali Herekar House Number : 22/A Age : 54 Gender : Male</p> <p>Photo</p> <p>Available</p>
<p>307</p> <p>MXY7744592</p> <p>Name : Fatima Herekar Husbands Name: Mahamad Jamir Herekar House Number : 22/A Age : 49 Gender : Female</p> <p>Photo</p> <p>Available</p>	<p>308</p> <p>ZOV0359539</p> <p>Name : Nazneen Herekar Fathers Name: Mahamad Jamilsab Herekar House Number : 22/A Age : 26 Gender : Female</p> <p>Photo</p> <p>Available</p>	<p>309</p> <p>ZOV0361667</p> <p>Name : Taslim Herekar Fathers Name: Mahamad Jamir Herekar House Number : 22/A Age : 25 Gender : Female</p> <p>Photo</p> <p>Available</p>
<p>310</p> <p>MXY1351139</p> <p>Name : Hidayat Mujawar Fathers Name: Rasulsab Mujawar House Number : 22/a Age : 37 Gender : Male</p> <p>Photo</p> <p>Available</p>	<p>311</p> <p>ZOV0344945</p> <p>Name : Sunny Wadar Fathers Name: Kashiram Wadar House Number : 22/A Age : 29 Gender : Male</p> <p>Photo</p> <p>Available</p>	<p>312</p> <p>ZOV0339143</p> <p>Name : Soniya Wadar Fathers Name: Kashiram Wadar House Number : 22-A Age : 27 Gender : Female</p> <p>Photo</p> <p>Available</p>
<p>313</p> <p>ZOV0068411</p> <p>Name : Umar Faruk Shaikh Fathers Name: Ibrahim Shaikh House Number : 22/c Age : 61 Gender : Male</p> <p>Photo</p> <p>Available</p>	<p>314</p> <p>MXY1516616</p> <p>Name : Shahid Shaikh Fathers Name: Faruk Umar Shaikh House Number : 22/c Age : 42 Gender : Female</p> <p>Photo</p> <p>Available</p>	<p>315</p> <p>MXY1358951</p> <p>Name : Shankar Vadar Fathers Name: Rama Vadar House Number : 23 Age : 47 Gender : Male</p> <p>Photo</p> <p>Available</p>
<p>316</p> <p>ZOV0252841</p> <p>Name : Chanda Vadar Husbands Name: Kashiram Wadar House Number : 23 Age : 43 Gender : Female</p> <p>Photo</p> <p>Available</p>	<p>317</p> <p>ZOV0426114</p> <p>Name : Hemavati Vadar Fathers Name: Tamma Vadar House Number : 23 Age : 21 Gender : Female</p> <p>Photo</p> <p>Available</p>	<p>318</p> <p>ZOV0197863</p> <p>Name : Ganga Wadar Husbands Name: Rama Wadar House Number : 23 Age : 66 Gender : Female</p> <p>Photo</p> <p>Available</p>
<p>319</p> <p>MXY1358621</p> <p>Name : Kashiram Wadar Fathers Name: Rama Wadar House Number : 23 Age : 52 Gender : Male</p> <p>Photo</p> <p>Available</p>	<p>320</p> <p>MXY0965830</p> <p>Name : Tamma Wadar Fathers Name: Rama Wadar House Number : 23 Age : 46 Gender : Male</p> <p>Photo</p> <p>Available</p>	<p>321</p> <p>MXY0965871</p> <p>Name : Sunita Wadar Husbands Name: Shankar Wadar House Number : 23 Age : 44 Gender : Female</p> <p>Photo</p> <p>Available</p>
<p>322</p> <p>MXY0966028</p> <p>Name : Tulshiram Wadar Fathers Name: Ramu Wadar House Number : 23 Age : 44 Gender : Male</p> <p>Photo</p> <p>Available</p>	<p>323</p> <p>MXY0965889</p> <p>Name : Minakshi Wadar Husbands Name: Tamma Wadar House Number : 23 Age : 42 Gender : Female</p> <p>Photo</p> <p>Available</p>	<p>324</p> <p>MXY1358399</p> <p>Name : Rekha Wadar Husbands Name: Tulshidam Wadar House Number : 23 Age : 38 Gender : Female</p> <p>Photo</p> <p>Available</p>
<p>325</p> <p>ZOV0376400</p> <p>Name : Sahil Wadar Fathers Name: Kashiram Wadar House Number : 23 Age : 24 Gender : Male</p> <p>Photo</p> <p>Available</p>	<p>326</p> <p>MXY0945469</p> <p>Name : Sarifabi Khan Husbands Name: Bahadur Khan House Number : 24 Age : 54 Gender : Female</p> <p>Photo</p> <p>Available</p>	<p>327</p> <p>MXY0945378</p> <p>Name : Haider Khan Fathers Name: Bahadur Khan House Number : 24 Age : 50 Gender : Male</p> <p>Photo</p> <p>Available</p>
<p>328</p> <p>MXY0968677</p> <p>Name : Imtiyaz Khan Fathers Name: Bahadur Khan House Number : 24 Age : 47 Gender : Male</p> <p>Photo</p> <p>Available</p>	<p>329</p> <p>MXY1372044</p> <p>Name : Karima Khan Husbands Name: Haider Khan House Number : 24 Age : 43 Gender : Female</p> <p>Photo</p> <p>Available</p>	<p>330</p> <p>ZOV0238600</p> <p>Name : Mustafa Khan Fathers Name: Farid Khan House Number : 24 Age : 35 Gender : Male</p> <p>Photo</p> <p>Available</p>

<p>331</p> <p>ZOV0348458</p> <p>Name : Sana Khan Husbands Name: Imtias Khan House Number : 24 Age : 34 Gender : Female</p> <p>Photo Available</p>	<p>332</p> <p>ZOV0421974</p> <p>Name : Almas Apinakatti Fathers Name: Imtiyaz Apinakatti House Number : 24/A Age : 21 Gender : Female</p> <p>Photo Available</p>	<p>333</p> <p>MXY1351295</p> <p>Name : Vahida Bi Apinkatti Husbands Name: Imtiyaz Apinkatti House Number : 24/A Age : 41 Gender : Female</p> <p>Photo Available</p>
<p>334</p> <p>ZOV0201269</p> <p>Name : Mumtaji Pathan Husbands Name: Farid Pathan House Number : 24/a Age : 69 Gender : Female</p> <p>Photo Available</p>	<p>335</p> <p>MXY1355627</p> <p>Name : Shabana Pathan Fathers Name: Farid Pathan House Number : 24/a Age : 38 Gender : Female</p> <p>Photo Available</p>	<p>336</p> <p>MXY1354042</p> <p>Name : Samina Pathan Fathers Name: Farid Pathan House Number : 24/a Age : 37 Gender : Female</p> <p>Photo Available</p>
<p>337</p> <p>ZOV0382150</p> <p>Name : Aayisha Apinakatti Fathers Name: Imtiyaz Apinakatti House Number : 24A Age : 24 Gender : Female</p> <p>Photo Available</p>	<p>338</p> <p>MXY0967901</p> <p>Name : Julekhabi Jamadar Husbands Name: Yusuf Jamadar House Number : 25 Age : 68 Gender : Female</p> <p>Photo Available</p>	<p>339</p> <p>ZOV0068528</p> <p>Name : Yusuf Jamadar Fathers Name: Gavasalal Jamadar House Number : 25 Age : 63 Gender : Male</p> <p>Photo Available</p>
<p>340</p> <p>MXY0967943</p> <p>Name : Irfan Jamadar Fathers Name: Yusuf Jamadar House Number : 25 Age : 40 Gender : Male</p> <p>Photo Available</p>	<p>341</p> <p>MXY0967968</p> <p>Name : Mohammed Ali Khan Fathers Name: Kassim Khan House Number : 25 Age : 48 Gender : Male</p> <p>Photo Available</p>	<p>342</p> <p>ZOV0344820</p> <p>Name : Shahista Bi Khan Husbands Name: Mahamad Ali Khan House Number : 25 Age : 34 Gender : Female</p> <p>Photo Available</p>
<p>343</p> <p>ZOV0374157</p> <p>Name : Heena Khan Fathers Name: Nazir Khan House Number : 25 Age : 24 Gender : Female</p> <p>Photo Available</p>	<p>S 344</p> <p>MXY0967919</p> <p>Name : Nisimabi Shaikh Husbands Name: Yekun Shaikh House Number : 25 Age : 58 Gender : Female</p> <p>DELETED Photo Available</p>	<p>345</p> <p>MXY7752850</p> <p>Name : Asmabi Shaikh Husbands Name: Nazir Shaikh House Number : 25 Age : 44 Gender : Female</p> <p>Photo Available</p>
<p>346</p> <p>ZOV0200147</p> <p>Name : Pandu Bhandari Fathers Name: Shantaram Bhandari House Number : 25/4 Age : 62 Gender : Male</p> <p>Photo Available</p>	<p>347</p> <p>MXY7744899</p> <p>Name : Pooja Bhandari Husbands Name: Pandu Bhandari House Number : 25/4 Age : 56 Gender : Female</p> <p>Photo Available</p>	<p>348</p> <p>ZOV0290338</p> <p>Name : Prasad Bhandari Fathers Name: Pandu Bhandari House Number : 25/4 Age : 31 Gender : Male</p> <p>Photo Available</p>
<p>349</p> <p>ZOV0419416</p> <p>Name : Omkar Bhandari Fathers Name: Pandurang Bhandari House Number : 25/4 Age : 25 Gender : Male</p> <p>Photo Available</p>	<p>350</p> <p>MXY1322916</p> <p>Name : Tajuddin Basur Fathers Name: Rajasab Basur House Number : 25/4/1 Age : 64 Gender : Male</p> <p>Photo Available</p>	<p>351</p> <p>ZOV0314765</p> <p>Name : Mehboobbi Basur Husbands Name: Tajuddin Basur House Number : 25/4/1 Age : 54 Gender : Female</p> <p>Photo Available</p>
<p>352</p> <p>MXY0940387</p> <p>Name : Dastagirsab Bichanawar Fathers Name: Maktumsab Bichanawar House Number : 26 Age : 62 Gender : Male</p> <p>Photo Available</p>	<p>353</p> <p>MXY0227199</p> <p>Name : Munirabi Bichanawar Husbands Name: Dastagirsab Bichanawar House Number : 26 Age : 56 Gender : Female</p> <p>Photo Available</p>	<p>354</p> <p>ZOV0315028</p> <p>Name : Mubarak Bichanawar Fathers Name: Dastagir Bichanawar House Number : 26 Age : 40 Gender : Male</p> <p>Photo Available</p>
<p>355</p> <p>URX0215731</p> <p>Name : Arifa Bichanawar Husbands Name: Mubarak Bichanawar House Number : 26 Age : 39 Gender : Female</p> <p>Photo Available</p>	<p>356</p> <p>MXY1324367</p> <p>Name : Salma Bichunawar Fathers Name: Dastagirsab Bichunawar House Number : 26 Age : 38 Gender : Female</p> <p>Photo Available</p>	<p>357</p> <p>ZOV0269944</p> <p>Name : Kausar Dambalkar Husbands Name: Alilabaksh Dambalkar House Number : 26 Age : 44 Gender : Female</p> <p>Photo Available</p>
<p>358</p> <p>ZOV0422394</p> <p>Name : Tausib Dambalkar Fathers Name: Alilabaksh Dambalkar House Number : 26 Age : 24 Gender : Male</p> <p>Photo Available</p>	<p>359</p> <p>ZOV0352062</p> <p>Name : Aaishabi Dambalkar Fathers Name: Alilabaksh Dambalkar House Number : 26 Age : 26 Gender : Female</p> <p>Photo Available</p>	<p>360</p> <p>ZOV0315085</p> <p>Name : Rafik Shaikh Fathers Name: Tipusab Shaikh House Number : 26 Age : 43 Gender : Male</p> <p>Photo Available</p>

361 Name : Sahil Kadroli Fathers Name: Noor Ahmad Kadroli House Number : 26/A Age : 23 Gender : Male	ZOV0415323 Photo Available	362 Name : Shakil Shaikh Fathers Name: Gorisab Shaikh House Number : 26/A Age : 53 Gender : Male	ZOV0422378 Photo Available	363 Name : Apsana Shaikh Husbands Name: Shakil Shaikh House Number : 26-1-A Age : 44 Gender : Female	ZOV0322297 Photo Available
364 Name : Gaunspir Karodi Fathers Name: Ascar Ali Karodi House Number : 27 Age : 27 Gender : Male	ZOV0339994 Photo Available	365 Name : Parveenbanu Davangeri Husbands Name: Mahaboobali Davangeri House Number : 27/a Age : 47 Gender : Female	MXY1324912 Photo Available	366 Name : Raziabi Kantawale Husbands Name: Rehmansab Kantawale House Number : 27/c Age : 61 Gender : Female	ZOV0399840 Photo Available
367 Name : Tipusultan Kantawale Fathers Name: Rehmansab Kantawale House Number : 27/c Age : 38 Gender : Male	MXY1352079 Photo Available	368 Name : Chamansab Ramapur Fathers Name: Chandusab Ramapur House Number : 27/d Age : 64 Gender : Male	MXY1322973 Photo Available	369 Name : Munnabi Ramapur Husbands Name: Chamansab Ramapur House Number : 27/d Age : 54 Gender : Female	MXY1351170 Photo Available
370 Name : Shabbir Ramapur Fathers Name: Chamansab Ramapur House Number : 27/d Age : 38 Gender : Male	MXY1322171 Photo Available	371 Name : Muktar Ahmad Kachavi Fathers Name: Mehboobsab Kachavi House Number : 27/E Age : 49 Gender : Male	MXY0967323 Photo Available	372 Name : Mehboobbi Kachavi Husbands Name: Muktiar Ahmad Kachavi House Number : 27/E Age : 44 Gender : Female	MXY1322999 Photo Available
373 Name : Ashakar Kerodi Fathers Name: Babusab Kerodi House Number : 27/e Age : 53 Gender : Male	ZOV0198879 Photo Available	374 Name : Hasina Kerodi Husbands Name: Ashakar Kerodi House Number : 27/e Age : 48 Gender : Female	ZOV0198887 Photo Available	375 Name : Sayed Jaffer Muktar Kachavi Fathers Name: Muktar Kachavi House Number : 27/B/2 Age : 21 Gender : Male	ZOV0431502 Photo Available
376 Name : Karimkhan Rathali Fathers Name: Ajikkhan Rathali House Number : 27/k/2 Age : 42 Gender : Male	MXY0965939 Photo Available	377 Name : Gopal M. Mangeshkar Fathers Name: Mahadev Mangeshkar House Number : 28 Age : 59 Gender : Male	ZOV0204693 Photo Available	378 Name : Sunita Gopal Mangeshkar Husbands Name: Gopal Mangeshkar House Number : 28 Age : 49 Gender : Female	ZOV0399832 Photo Available
379 Name : Tukaram Mangeshkar Fathers Name: Gopal Mangeshkar House Number : 28 Age : 33 Gender : Male	ZOV0196568 Photo Available	380 Name : Aarav Mangeshkar Fathers Name: Gopal Mangeshkar House Number : 28 Age : 32 Gender : Male	ZOV0261222 Photo Available	381 Name : Karishma Mangeshkar Husbands Name: Aarav Mangeshkar House Number : 28 Age : 31 Gender : Female	ZOV0421503 Photo Available
382 Name : Priti Mangeshkar Husbands Name: Tukaram Mangeshkar House Number : 28 Age : 30 Gender : Female	ZOV0416818 Photo Available	383 Name : Tayyabuli Andgi Fathers Name: Abdul Rehman Andgi House Number : 29 Age : 54 Gender : Male	MXY0966697 Photo Available	384 Name : Tahirabi Andgi Husbands Name: Tayyabali Andgi House Number : 29 Age : 49 Gender : Female	MXY0966515 Photo Available
385 Name : Afzal Gumnalli Fathers Name: Nazir Ahmed Gumanalli House Number : 29 Age : 24 Gender : Male	ZOV0419861 Photo Available	386 Name : Mohammed Rehan Malad Fathers Name: Imamsab Malad House Number : 29 Age : 22 Gender : Male	ZOV0416172 Photo Available	# 387 Name : Basira Sayed Husbands Name: Rafiq Sayed House Number : 29 Age : 28 Gender : Female	ZOV0323386 Photo Available
388 Name : Umri Salma Tayabali Fathers Name: Angdi Tayabali House Number : 29 Age : 34 Gender : Female	ZOV0290312 Photo Available	389 Name : Zahid Gumanhalli Fathers Name: Imamsab Gumanhalli House Number : 29/A Age : 54 Gender : Male	MXY7744840 Photo Available	390 Name : Sayarabanu Gumanhalli Husbands Name: Nazir Ahmad Gumanhalli House Number : 29/A Age : 49 Gender : Female	MXY0967067 Photo Available

391	MXY7743065	Name : Roshan Gumanhalli Husbands Name: Zahid Gumanhalli House Number : 29/A Age : 46 Gender : Female	Photo Available	392	ZOV0352104	Name : Mohmmad Ismail Gummanhalli Fathers Name: Nazesaab Gummanhalli House Number : 29/A Age : 26 Gender : Male	Photo Available	393	ZOV0431650	Name : Shammabanu Gummanhalli Fathers Name: Nazir Ahmad Gummanhalli House Number : 29/A Age : 21 Gender : Female	Photo Available
394	ZOV0357038	Name : Husana Begum Husbands Name: Kamalbadshaha Kangalli House Number : 29/B Age : 30 Gender : Female	Photo Available	395	ZOV0399824	Name : Babajan Kagnali Fathers Name: Kamalsab Kagnali House Number : 29/b Age : 64 Gender : Male	Photo Available	396	MXY0967091	Name : Razia Kagnali Husbands Name: Babajan Kagnali House Number : 29/B Age : 56 Gender : Female	Photo Available
397	MXY1356757	Name : Hussainbasha Kagnali Fathers Name: Babajan Kagnali House Number : 29/b Age : 37 Gender : Male	Photo Available	398	ZOV0349449	Name : Rashida Banu Kagnali Husbands Name: Hussainbasha Kagnali House Number : 29/B Age : 34 Gender : Female	Photo Available	399	MXY1325208	Name : Kamalbadshaha Kangalli Fathers Name: Babajan Kagnali House Number : 29/B Age : 39 Gender : Male	Photo Available
400	ZOV0354449	Name : Shabbir Malaad Fathers Name: Madarsab Mallad House Number : 29/C Age : 26 Gender : Male	Photo Available	401	ZOV0399477	Name : Zamilabi Malad Husbands Name: Nazirsab Malad House Number : 29/c Age : 64 Gender : Female	Photo Available	402	MXY1325752	Name : Madarsab Malad Fathers Name: Nazirsab Malad House Number : 29/c Age : 53 Gender : Male	Photo Available
403	ZOV0399469	Name : Gulzar Malad Husbands Name: Madarsab Malad House Number : 29/C Age : 52 Gender : Female	Photo Available	404	MXY0967117	Name : Parveen Malad Husbands Name: Imansab Malad House Number : 29/C Age : 46 Gender : Female	Photo Available	# 405	MXY0967349	Name : Imam Hussain Mallad Fathers Name: Nazirsab Malad House Number : 29/C Age : 46 Gender : Male	Photo Available
406	ZOV0323378	Name : Anjum Banu Malhar Fathers Name: Madarsab Malhar House Number : 29/C Age : 29 Gender : Female	Photo Available	407	ZOV0369918	Name : Salim Malik Mallad Fathers Name: Madarsab Mallad House Number : 29/C Age : 24 Gender : Male	Photo Available	408	ZOV0295097	Name : Nafisa Bi Bichanavar Fathers Name: Maktum Bichanavar House Number : 29/D Age : 41 Gender : Female	Photo Available
409	ZOV0295063	Name : Imran Bichanavar Fathers Name: Subhani Bichanavar House Number : 29/D Age : 34 Gender : Male	Photo Available	410	ZOV0441485	Name : SUBANI BICHANNAVAR Fathers Name: MAKTUMSAB BICHANNAVAR House Number : 29/D Age : 64 Gender : Male	Photo Available	411	ZOV0441451	Name : MALIKJASN BICHANNAVAR Fathers Name: SUBANI BICHANNAVAR House Number : 29/D Age : 32 Gender : Male	Photo Available
412	ZOV0368266	Name : Dadapir Bichannavar Fathers Name: Imtiyaz Bichannavar House Number : 29/D Age : 26 Gender : Male	Photo Available	413	ZOV0441469	Name : SANA BICHANNAVAR Husbands Name: MALIKJAAN BICHANNAVAR House Number : 29/D Age : 22 Gender : Female	Photo Available	414	ZOV0343798	Name : Heena Bichunawar Husbands Name: Imran Bichunawar House Number : 29/D Age : 34 Gender : Female	Photo Available
415	ZOV0333906	Name : Marzina Bichunnavar Fathers Name: Imtiyaz Bichunnavar House Number : 29/D Age : 28 Gender : Female	Photo Available	416	ZOV0422402	Name : Naaz Bichunnavar Fathers Name: Imtiyaz Bichunnavar House Number : 29/D Age : 21 Gender : Female	Photo Available	417	ZOV0369736	Name : Muskan Bizinawar Fathers Name: Imtiyaz Bizinawar House Number : 29/D Age : 24 Gender : Female	Photo Available
418	ZOV0441477	Name : PARVEEN PACHAPURI Husbands Name: MEHABUB PACHAPURI House Number : 29/D Age : 37 Gender : Female	Photo Available	419	MXY0967075	Name : Bibattul Ramapur Husbands Name: Mohamad Ramapur House Number : 29/D Age : 57 Gender : Female	Photo Available	420	ZOV0353185	Name : Shamina Ramapur Husbands Name: Zakir Ramapur House Number : 29/D Age : 33 Gender : Female	Photo Available

421	ZOV0344937	Name : Akbarali Rampur Fathers Name: Isac Rampur House Number : 29/D Age : 36 Gender : Male	Photo Available	422	ZOV0337402	Name : Taherabanu Shaikh Husbands Name: Nazeer Shaikh House Number : 29/D Age : 31 Gender : Female	Photo Available	423	ZOV0238360	Name : Nazir Ahamad Sheikh Fathers Name: Tayabali Ahamad Sheikh House Number : 29/D Age : 32 Gender : Male	Photo Available
424	ZOV0438135	Name : Suhana Bichunavar Fathers Name: Nisar Bichunavar House Number : 29 E Age : 20 Gender : Female	Photo Available	425	MXY1325356	Name : Nisar Bichunavar Fathers Name: Imamsab Bichunavar House Number : 29 E Age : 43 Gender : Male	Photo Available	426	ZOV0333104	Name : Razia Bhatkande Fathers Name: Mohammad Gous Bhatkande House Number : 29/E Age : 33 Gender : Female	Photo Available
427	ZOV0198374	Name : Ramdhan Sharma Fathers Name: Zilian Sharma House Number : 30 Age : 79 Gender : Male	Photo Available	428	ZOV0198382	Name : Kallanadevi Sharma Husbands Name: Ramdhan Sharma House Number : 30 Age : 64 Gender : Female	Photo Available	429	MXY7753254	Name : Bholanath Sharma Fathers Name: Ramdhan Sharma House Number : 30 Age : 43 Gender : Male	Photo Available
430	ZOV0065359	Name : Deepesh Sharma Fathers Name: Ramdhan Sharma House Number : 30 Age : 40 Gender : Male	Photo Available	431	MXY1348705	Name : Siddhesh Sharma Fathers Name: Ramdhan Sharma House Number : 30 Age : 37 Gender : Female	Photo Available	432	ZOV0419879	Name : Gunja Sharma Husbands Name: Bholanath Sharma House Number : 30 Age : 33 Gender : Female	Photo Available
433	ZOV0354712	Name : Nagendra Sharma Fathers Name: Ramdhan Sharma House Number : 30 Age : 26 Gender : Male	Photo Available	434	ZOV0399378	Name : Isak Mujawar Fathers Name: Umarsab Muzawar House Number : 31 Age : 79 Gender : Male	Photo Available	435	ZOV0399360	Name : Bibizara Zahira Bi Mujawar Husbands Name: Isak Mujawar House Number : 31 Age : 69 Gender : Female	Photo Available
436	ZOV0399352	Name : Subhani Isak Mujawar Fathers Name: Isak Mujawar House Number : 31 Age : 49 Gender : Male	Photo Available	S 437	ZOV0399816	Name : Ashpak Isak Mujawar Fathers Name: Isak Mujawar House Number : 31 Age : 48 Gender : Male	Photo Available	438	MXY0966952	Name : Ashraf Mujawar Fathers Name: Isak Mujawar House Number : 31 Age : 45 Gender : Male	Photo Available
439	MXY0967000	Name : Altaf Mujawar Fathers Name: Isak Mujawar House Number : 31 Age : 44 Gender : Male	Photo Available	440	ZOV0343806	Name : Mehtab Mujawar Husbands Name: Altaf Mujawar House Number : 31 Age : 35 Gender : Female	Photo Available	441	ZOV0356436	Name : Jaibuna Mujawar Husbands Name: Ashraf Mujawar House Number : 31 Age : 32 Gender : Female	Photo Available
442	MXY0968081	Name : Nazrin Muzawar Husbands Name: Subani Muzawar House Number : 31 Age : 49 Gender : Female	Photo Available	S 443	MXY1380724	Name : Rubina Muzawar Husbands Name: Ashpak Muzawar House Number : 31 Age : 42 Gender : Female	Photo Available	444	ZOV0362889	Name : Munendra Vishwakarma Fathers Name: Rajroop Vishwakarma House Number : 31 Age : 36 Gender : Male	Photo Available
445	ZOV0362897	Name : Renu Vishwakarma Husbands Name: Munendra Vishwakarma House Number : 31 Age : 34 Gender : Female	Photo Available	446	ZOV0290296	Name : Mukutsab Balwade Fathers Name: Meerassab Balwade House Number : 31/1 Age : 32 Gender : Male	Photo Available	447	ZOV0399808	Name : Mumtaj Bi Muzwar Fathers Name: Haydersab Muzwar House Number : 31/1 Age : 46 Gender : Female	Photo Available
448	ZOV0343772	Name : Javed Saudagar Fathers Name: Tajammul Saudagar House Number : 31/1 Age : 26 Gender : Male	Photo Available	449	ZOV0294876	Name : Mohamad Rizvan Shaikh Fathers Name: Budden Shaikh House Number : 31/1 Age : 53 Gender : Male	Photo Available	450	ZOV0294884	Name : Shaheena Shaikh Husbands Name: Mohamad Rizvan Shaikh House Number : 31/1 Age : 45 Gender : Female	Photo Available

451 Name : Mohammad Muheed Shaikh Fathers Name: Mohamad Rizwan Shaikh House Number : 31/1 Age : 33 Gender : Male	ZOV0290353 Photo Available	452 Name : Mohammad Sharukh Shaikh Fathers Name: Mohamad Rizwan Shaikh House Number : 31/1 Age : 31 Gender : Male	ZOV0294892 Photo Available	453 Name : Rahat Shaikh Fathers Name: Mohamad Rizwan Shaikh House Number : 31/1 Age : 26 Gender : Female	ZOV0354191 Photo Available
454 Name : Chamansab Balawade Fathers Name: Meerasab Balawade House Number : 31/2 Age : 26 Gender : Male	ZOV0343855 Photo Available	455 Name : Gulshera Balwade Husbands Name: Mirasab Balwade House Number : 31/2 Age : 49 Gender : Female	ZOV0268128 Photo Available	456 Name : Ruksar Balwade Fathers Name: Meerasab Balwade House Number : 31/2 Age : 24 Gender : Female	ZOV0376384 Photo Available
457 Name : Shahista Begum Mirabhai Fathers Name: Mehboob Mirabhai House Number : 31/2 Age : 27 Gender : Female	ZOV0334466 Photo Available	458 Name : Jameer Ankalewale Fathers Name: Allabax Ankalewal House Number : 31/3 Age : 37 Gender : Male	MXY1347996 Photo Available	459 Name : Isabi Biggerni Husbands Name: Imamsab Biggerni House Number : 31/3 Age : 84 Gender : Female	MXY0967281 Photo Available
460 Name : Shamimbanu Biggerni Fathers Name: Imamsab Biggerni House Number : 31/3 Age : 54 Gender : Female	ZOV0270421 Photo Available	461 Name : Hasina Biggerni Husbands Name: Mahammas Rasul Biggerni House Number : 31/3 Age : 43 Gender : Female	ZOV0204156 Photo Available	462 Name : Abdul Karim Hongal Fathers Name: Kasimsab Hongal House Number : 31/3 Age : 59 Gender : Male	MXY1324052 Photo Available
463 Name : Mehboobi Hongal Husbands Name: Abdul Karim Hongal House Number : 31/3 Age : 47 Gender : Female	MXY1323914 Photo Available	464 Name : Aman Hongal Fathers Name: Abdulkarim Hongal House Number : 31/3 Age : 21 Gender : Male	ZOV0422162 Photo Available	# 465 Name : Bismilla M Inamdar Husbands Name: Mustaq Inamdar House Number : 31/3 Age : 44 Gender : Female	MXY0968065 Photo Available
466 Name : Wasim Akram Sayyad Fathers Name: Abdul Rehman Sayyad House Number : 31/3 Age : 29 Gender : Male	ZOV0308445 Photo Available	467 Name : Julekhabi Mulla Husbands Name: Maktum Mulla House Number : 31/4 Age : 81 Gender : Female	MXY0968107 Photo Available	468 Name : Bismilla Mulla Fathers Name: Maktum Mulla House Number : 31/4 Age : 59 Gender : Male	MXY0945428 Photo Available
469 Name : Riyaz Mulla Fathers Name: Muktum Mulla House Number : 31/4 Age : 57 Gender : Male	MXY7743016 Photo Available	470 Name : Dilshad Mulla Fathers Name: Muktam Mulla House Number : 31/4 Age : 55 Gender : Male	ZOV0067827 Photo Available	471 Name : Bibijan Mulla Husbands Name: Bismilla Mulla House Number : 31/4 Age : 50 Gender : Female	MXY0967299 Photo Available
472 Name : Fairoza Mulla Husbands Name: Riyaz Mulla House Number : 31/4 Age : 48 Gender : Female	MXY0967372 Photo Available	473 Name : Mahamad Unus Mulla Fathers Name: Mukatum Mulla House Number : 31/4 Age : 48 Gender : Male	MXY0968123 Photo Available	474 Name : Shahin Mulla Husbands Name: Dilshad Ahamad Mulla House Number : 31/4 Age : 44 Gender : Female	MXY0967315 Photo Available
475 Name : Gulzar Mulla Husbands Name: Mahamad Yunus Mulla House Number : 31/4 Age : 42 Gender : Female	MXY0968115 Photo Available	476 Name : Rukshar Mulla Fathers Name: Riyaz Mulla House Number : 31/4 Age : 27 Gender : Female	ZOV0357046 Photo Available	477 Name : Javeed Mulla Fathers Name: Bismilla Mulla House Number : 31/4 Age : 27 Gender : Male	ZOV0333963 Photo Available
478 Name : Tanaj Mulla Fathers Name: Riyaz Mulla House Number : 31/4 Age : 25 Gender : Female	ZOV0357020 Photo Available	479 Name : Jasmeen Mulla Fathers Name: Bismilla Mulla House Number : 31/4 Age : 24 Gender : Female	ZOV0385708 Photo Available	480 Name : Sajid Mulla Fathers Name: Riyaz Mulla House Number : 31/4 Age : 23 Gender : Male	ZOV0383299 Photo Available

<p>481</p> <p>ZOV0422196</p> <p>Name : Asif Mahamdunus Mulla Fathers Name: Mahamdunus Mulla House Number : 31/4 Age : 21 Gender : Male</p> <p>Photo Available</p>	<p>S 482</p> <p>ZOV0310185</p> <p>Name : Saleem Bepari Fathers Name: Bepari Bepari House Number : 31/5 Age : 33 Gender : Male</p> <p>Photo Available</p>	<p>483</p> <p>ZOV0304808</p> <p>Name : Ibrahim Mattekhan Fathers Name: Nazer Ahamed Mattekhan House Number : 31/5 Age : 31 Gender : Male</p> <p>Photo Available</p>
<p>484</p> <p>MXY0967455</p> <p>Name : Fatima Tigroli Husbands Name: Dastagirsab Tigroli House Number : 31/5 Age : 68 Gender : Female</p> <p>Photo Available</p>	<p>485</p> <p>MXY1349455</p> <p>Name : Subani Tigroli Husbands Name: Dastagirsab Tigroli House Number : 31/5 Age : 43 Gender : Female</p> <p>Photo Available</p>	<p>486</p> <p>MXY1356385</p> <p>Name : Balkish Tigroli Husbands Name: Subani Tigroli House Number : 31/5 Age : 39 Gender : Female</p> <p>Photo Available</p>
<p>487</p> <p>MXY1356039</p> <p>Name : Mubina Tigroli Husbands Name: Rasul Tigroli House Number : 31/5 Age : 38 Gender : Female</p> <p>Photo Available</p>	<p>488</p> <p>ZOV0201467</p> <p>Name : Mahadevi Vali Husbands Name: Chinappa Vali House Number : 31/5 Age : 52 Gender : Female</p> <p>Photo Available</p>	<p>489</p> <p>ZOV0201475</p> <p>Name : Chinappa Vali Fathers Name: Mahadev Vali House Number : 31/5 Age : 47 Gender : Male</p> <p>Photo Available</p>
<p>490</p> <p>ZOV0300806</p> <p>Name : Deepa Vali Fathers Name: Chinnappa Vali House Number : 31/5 Age : 32 Gender : Female</p> <p>Photo Available</p>	<p>491</p> <p>ZOV0415349</p> <p>Name : Adam Mujawar Fathers Name: Basha Mujawar House Number : 31/6 Age : 22 Gender : Male</p> <p>Photo Available</p>	<p>492</p> <p>MXY1323591</p> <p>Name : Bisa Bi Muzawar Husbands Name: Adam Muzawar House Number : 31/6 Age : 64 Gender : Female</p> <p>Photo Available</p>
<p>493</p> <p>ZOV0314955</p> <p>Name : Shamshad Muzawar Husbands Name: Basha Muzawar House Number : 31/6 Age : 43 Gender : Female</p> <p>Photo Available</p>	<p>494</p> <p>MXY0965806</p> <p>Name : Basha Muzawar Fathers Name: Adam Muzawar House Number : 31/6 Age : 45 Gender : Male</p> <p>Photo Available</p>	<p>495</p> <p>MXY1352053</p> <p>Name : Shabbir Sheikh Fathers Name: Nasirahamed Sheikh House Number : 31/6 Age : 43 Gender : Male</p> <p>Photo Available</p>
<p># 496</p> <p>ZOV0348466</p> <p>Name : Ismail Zabihullah Shaikh Fathers Name: Nasir Ahmad Batulla House Number : 31/6 Age : 33 Gender : Male</p> <p>Photo Available</p>	<p>497</p> <p>ZOV0344879</p> <p>Name : Nasrin Mujawar Fathers Name: Akbarsab Mujawar House Number : 31/7 Age : 42 Gender : Female</p> <p>Photo Available</p>	<p>498</p> <p>ZOV0344887</p> <p>Name : Basheera Mujawar Fathers Name: Akbarsab Mujawar House Number : 31/7 Age : 40 Gender : Female</p> <p>Photo Available</p>
<p>499</p> <p>ZOV0399436</p> <p>Name : Akbar Muzawar Fathers Name: Umar Muzawar House Number : 31/7 Age : 74 Gender : Male</p> <p>Photo Available</p>	<p>500</p> <p>MXY1355361</p> <p>Name : Mubin Muzawar Husbands Name: Imam Hussain Muzawar House Number : 31/7 Age : 37 Gender : Female</p> <p>Photo Available</p>	<p>501</p> <p>MXY1350446</p> <p>Name : Suleman Muzawar Fathers Name: Aubar Muzawar House Number : 31/7 Age : 35 Gender : Male</p> <p>Photo Available</p>
<p>502</p> <p>ZOV0380295</p> <p>Name : Shabanabanu Muzawar Husbands Name: Suleman Muzawar House Number : 31/7 Age : 33 Gender : Female</p> <p>Photo Available</p>	<p>503</p> <p>MXY0967687</p> <p>Name : Imamsab Muzawar Fathers Name: Akbar Muzawar House Number : 31/7 Age : 38 Gender : Male</p> <p>Photo Available</p>	<p>504</p> <p>MXY0967463</p> <p>Name : Abdul Rehman Sayyad Fathers Name: Babasab Sayyad House Number : 31/7 Age : 56 Gender : Male</p> <p>Photo Available</p>
<p>505</p> <p>MXY0967307</p> <p>Name : Sairabanu Sayyad Husbands Name: Abdul Rehman Sayyad House Number : 31/7 Age : 52 Gender : Female</p> <p>Photo Available</p>	<p>506</p> <p>MXY1369685</p> <p>Name : Asiya Sayyad Fathers Name: Adbul Rehman Sayyad House Number : 31/7 Age : 37 Gender : Female</p> <p>Photo Available</p>	<p>507</p> <p>ZOV0294983</p> <p>Name : Masabi Satyagiri Husbands Name: Sameer Satyagiri House Number : 31/8 Age : 32 Gender : Female</p> <p>Photo Available</p>
<p>508</p> <p>ZOV0276923</p> <p>Name : Suleman Badshah Shaikwale Fathers Name: Sharif Shaikwale House Number : 31/8 Age : 31 Gender : Male</p> <p>Photo Available</p>	<p>509</p> <p>ZOV0357012</p> <p>Name : Uzma Shaikwale Husbands Name: Suleman Badshah Shaikwale House Number : 31/8 Age : 27 Gender : Female</p> <p>Photo Available</p>	<p>510</p> <p>MXY7754047</p> <p>Name : Mehboobi Shaikwala Husbands Name: Mohamad Sharif Shaikwala House Number : 31/8 Age : 57 Gender : Female</p> <p>Photo Available</p>

<p>511</p> <p>ZOV0334474</p> <p>Name : Mubina Bi Khan Pathan Fathers Name: Farid Khan Pathan House Number : 31/24 Age : 37 Gender : Female</p> <p>Photo</p> <p>Available</p>	<p>512</p> <p>ZOV0334037</p> <p>Name : Julekha Bichunavar Fathers Name: Imamsab Bichunavar House Number : 31/29 Age : 39 Gender : Female</p> <p>Photo</p> <p>Available</p>	<p>513</p> <p>MXY1353093</p> <p>Name : Imamsab Bichunavar Fathers Name: Maktumsab Bichunavar House Number : 31/29 Age : 69 Gender : Male</p> <p>Photo</p> <p>Available</p>
<p>514</p> <p>ZOV0399790</p> <p>Name : Razia Bichunawar Husbands Name: Imamsab Bichunawar House Number : 31/29 Age : 64 Gender : Female</p> <p>Photo</p> <p>Available</p>	<p>515</p> <p>MXY8874141</p> <p>Name : Imtiyaz Bichunawar Fathers Name: Muktumsab Bichunawar House Number : 31/29 Age : 50 Gender : Male</p> <p>Photo</p> <p>Available</p>	<p>516</p> <p>MXY8874158</p> <p>Name : Mahiraj Bichunawar Fathers Name: Imtiyaz Bichunawar House Number : 31/29 Age : 47 Gender : Male</p> <p>Photo</p> <p>Available</p>
<p>517</p> <p>MXY1324706</p> <p>Name : Zubeda Bichunawar Husbands Name: Nissar Bichunawar House Number : 31/29 Age : 39 Gender : Female</p> <p>Photo</p> <p>Available</p>	<p>518</p> <p>MXY0968032</p> <p>Name : Kausar Ankalewale Husbands Name: Alibaksh Ankalewale House Number : 31/3/A Age : 59 Gender : Female</p> <p>Photo</p> <p>Available</p>	<p>519</p> <p>MXY1348010</p> <p>Name : Sameer Ankalewale Fathers Name: Alibaksh Ankalewale House Number : 31/3/a Age : 40 Gender : Male</p> <p>Photo</p> <p>Available</p>
<p>520</p> <p>MXY1325315</p> <p>Name : Hussainsab Jalali Fathers Name: Abdul Kadar Jalali House Number : 31/3/a Age : 64 Gender : Male</p> <p>Photo</p> <p>Available</p>	<p>521</p> <p>MXY1325299</p> <p>Name : Malikjan Jalali Fathers Name: Hussainsab Jalali House Number : 31/3/a Age : 38 Gender : Male</p> <p>Photo</p> <p>Available</p>	<p>522</p> <p>ZOV0328658</p> <p>Name : Bashira Jalali Husbands Name: Hussainsab Jalali House Number : 31/3-A Age : 57 Gender : Female</p> <p>Photo</p> <p>Available</p>
<p>523</p> <p>MXY1354919</p> <p>Name : Abdul Rehmanab Agadi Fathers Name: Budulsab Agadi House Number : 31/4/B Age : 73 Gender : Male</p> <p>Photo</p> <p>Available</p>	<p>524</p> <p>MXY1323799</p> <p>Name : Muntaj Begum Agadi Husbands Name: Abdul Rehman Agadi House Number : 31/4/B Age : 69 Gender : Female</p> <p>Photo</p> <p>Available</p>	<p>525</p> <p>MXY1354604</p> <p>Name : Moulasab Agadi Fathers Name: Abdul Rehman Agadi House Number : 31/4/B Age : 45 Gender : Male</p> <p>Photo</p> <p>Available</p>
<p>526</p> <p>MXY1354554</p> <p>Name : Farzana Agadi Husbands Name: Moulasab Agadi House Number : 31/4/B Age : 41 Gender : Female</p> <p>Photo</p> <p>Available</p>	<p>527</p> <p>ZOV0346452</p> <p>Name : Fatima Agadi Husbands Name: Mahamad Gaus Agadi House Number : 31/4/B Age : 35 Gender : Female</p> <p>Photo</p> <p>Available</p>	<p>528</p> <p>ZOV0328666</p> <p>Name : Salma Agadi Fathers Name: Abdul Rehmanab Agadi House Number : 31/4/B Age : 34 Gender : Female</p> <p>Photo</p> <p>Available</p>
<p>529</p> <p>ZOV0068288</p> <p>Name : Begambi Sattyagiri Husbands Name: Imamsab Sattyagiri House Number : 31/8/b Age : 64 Gender : Female</p> <p>Photo</p> <p>Available</p>	<p>530</p> <p>MXY1374578</p> <p>Name : Musa Sattyagiri Fathers Name: Imamsab Sattyagiri House Number : 31/8/b Age : 54 Gender : Male</p> <p>Photo</p> <p>Available</p>	<p>531</p> <p>MXY1355304</p> <p>Name : Farida Sattyagiri Husbands Name: Musa Sattyagiri House Number : 31/8/b Age : 47 Gender : Female</p> <p>Photo</p> <p>Available</p>
<p>532</p> <p>MXY1374586</p> <p>Name : Ayub Sattyagiri Fathers Name: Imamsab Sattyagiri House Number : 31/8/b Age : 44 Gender : Male</p> <p>Photo</p> <p>Available</p>	<p>533</p> <p>MXY1355338</p> <p>Name : Kausar Sattyagiri Husbands Name: Ayub Sattyagiri House Number : 31/8/b Age : 41 Gender : Female</p> <p>Photo</p> <p>Available</p>	<p>534</p> <p>MXY1324201</p> <p>Name : Sameer Sattyagiri Fathers Name: Imamsab Sattyagiri House Number : 31/8/b Age : 39 Gender : Male</p> <p>Photo</p> <p>Available</p>
<p>535</p> <p>ZOV0305854</p> <p>Name : Salma Bi Khan Fathers Name: Fareed Khan House Number : 31/24a Age : 31 Gender : Female</p> <p>Photo</p> <p>Available</p>	<p>536</p> <p>ZOV0279174</p> <p>Name : Fatima Attar Husbands Name: Sikandar Attar House Number : 31/29/A Age : 59 Gender : Female</p> <p>Photo</p> <p>Available</p>	<p>537</p> <p>ZOV0333088</p> <p>Name : Farida Attar Fathers Name: Sikandar Attar House Number : 31/29/E Age : 27 Gender : Female</p> <p>Photo</p> <p>Available</p>
<p>538</p> <p>MXY0968198</p> <p>Name : Bhimappa Kampad Fathers Name: Yamunapp Kampad House Number : 32 Age : 59 Gender : Male</p> <p>Photo</p> <p>Available</p>	<p>539</p> <p>ZOV0213207</p> <p>Name : Ashok Kampad Fathers Name: Yamunappa Kampad House Number : 32 Age : 53 Gender : Male</p> <p>Photo</p> <p>Available</p>	<p>540</p> <p>MXY0967448</p> <p>Name : Mariambi Muzawar Husbands Name: Ismail Shaha Muzawar House Number : 32 Age : 79 Gender : Female</p> <p>Photo</p> <p>Available</p>

<p>541</p> <p>MX Y1356641</p> <p>Name : Shalnaz Bi Pistuni Husbands Name: Naseerahmed Pistuni House Number : 32 Age : 50 Gender : Female</p> <p>Photo Available</p>	<p>542</p> <p>MX Y1356658</p> <p>Name : Naseerahmed Pistuni Fathers Name: Imamsaheb Pistuni House Number : 32 Age : 43 Gender : Male</p> <p>Photo Available</p>	<p>543</p> <p>MX Y1356187</p> <p>Name : Abdul Sukur Jangeri Fathers Name: Hussainbaksh Jangeri House Number : 32/b Age : 54 Gender : Male</p> <p>Photo Available</p>
<p>544</p> <p>MX Y1324896</p> <p>Name : Rashida Jangeri Husbands Name: Abdul Sukur Jangeri House Number : 32/b Age : 49 Gender : Female</p> <p>Photo Available</p>	<p>545</p> <p>ZOV0343913</p> <p>Name : Ummisalma Jangeri Fathers Name: Abdul Sukur Jangeri House Number : 32/B Age : 27 Gender : Female</p> <p>Photo Available</p>	<p>546</p> <p>ZOV0343871</p> <p>Name : Abhidnawaz Jangeri Fathers Name: Abdul Sukur Jangeri House Number : 32/B Age : 26 Gender : Male</p> <p>Photo Available</p>
<p>547</p> <p>ZOV0381657</p> <p>Name : MOHAMAD ZAFFAR Fathers Name: ABDUL PAKZADE House Number : 32/C Age : 25 Gender : Male</p> <p>Photo Available</p>	<p>548</p> <p>ZOV0333997</p> <p>Name : Pakjade Jakir Makbul Fathers Name: M. Pakjade House Number : 32/C Age : 28 Gender : Male</p> <p>Photo Available</p>	<p>549</p> <p>MX Y1358928</p> <p>Name : Jahedbi Pajade Husbands Name: Maqbul Pajade House Number : 32/c Age : 49 Gender : Female</p> <p>Photo Available</p>
<p>550</p> <p>MX Y1352566</p> <p>Name : Kalandar Pajade Fathers Name: Hassanmiya Pajade House Number : 32/c Age : 39 Gender : Male</p> <p>Photo Available</p>	<p>551</p> <p>ZOV0238386</p> <p>Name : Abdul Karim Khan Fathers Name: Abdul Latif Khan House Number : 33 Age : 69 Gender : Male</p> <p>Photo Available</p>	<p>552</p> <p>ZOV0238378</p> <p>Name : Zarina Bi Khan Husbands Name: Abdul Karim Khan House Number : 33 Age : 61 Gender : Female</p> <p>Photo Available</p>
<p>553</p> <p>ZOV0414953</p> <p>Name : Ayinaz Bee Khan Fathers Name: Abdul Karim Khan House Number : 33 Age : 22 Gender : Female</p> <p>Photo Available</p>	<p>554</p> <p>ZOV0181800</p> <p>Name : Salauddin Shaikh Fathers Name: Abdula Nabi Shaikh House Number : 33 Age : 71 Gender : Male</p> <p>Photo Available</p>	<p>555</p> <p>MX Y1373562</p> <p>Name : Faiyam Shaikh Fathers Name: Abdula Nabi Shaikh House Number : 33 Age : 41 Gender : Male</p> <p>Photo Available</p>
<p>556</p> <p>ZOV0279208</p> <p>Name : Faizal Shaikh Fathers Name: Abdula Nabi Shaikh House Number : 33 Age : 39 Gender : Male</p> <p>Photo Available</p>	<p>557</p> <p>ZOV0238394</p> <p>Name : Saiyed Ali Shaikh Fathers Name: Babajan Shaikh House Number : 33 Age : 32 Gender : Male</p> <p>Photo Available</p>	<p>558</p> <p>ZOV0419390</p> <p>Name : Pyarijan Thotad Husbands Name: Hazaratali Totad House Number : 33/1-A Age : 34 Gender : Female</p> <p>Photo Available</p>
<p>559</p> <p>ZOV0419408</p> <p>Name : Hazaratali Totad Fathers Name: Pirsab Totad House Number : 33/1-A Age : 42 Gender : Male</p> <p>Photo Available</p>	<p>560</p> <p>ZOV0181941</p> <p>Name : Nacima Bi Husbands Name: Xabir Soid House Number : 34 Age : 57 Gender : Female</p> <p>Photo Available</p>	<p>561</p> <p>ZOV0181768</p> <p>Name : Abdul Reheman Sayad Fathers Name: Xabir Soid House Number : 34 Age : 35 Gender : Male</p> <p>Photo Available</p>
<p>562</p> <p>ZOV0399402</p> <p>Name : Aisha Sayyed Husbands Name: Bi Sayyed House Number : 34 Age : 84 Gender : Female</p> <p>Photo Available</p>	<p>563</p> <p>ZOV0279190</p> <p>Name : Anwar Sayyed Fathers Name: Saiyed Sayyed House Number : 34 Age : 61 Gender : Male</p> <p>Photo Available</p>	<p>564</p> <p>MX Y7766306</p> <p>Name : Haroon Sayyed Fathers Name: Shiyad Sayyed House Number : 34 Age : 54 Gender : Male</p> <p>Photo Available</p>
<p>565</p> <p>ZOV0399386</p> <p>Name : Guljarbi Sayyed Husbands Name: Anwar Sayyed House Number : 34 Age : 51 Gender : Female</p> <p>Photo Available</p>	<p>566</p> <p>ZOV0181610</p> <p>Name : Mumtaji Sayyed Husbands Name: Harun Sayyed House Number : 34 Age : 48 Gender : Female</p> <p>Photo Available</p>	<p>567</p> <p>ZOV0181925</p> <p>Name : Babajan Shaikh Fathers Name: Pirsab Shaikh House Number : 34/1 Age : 63 Gender : Male</p> <p>Photo Available</p>
<p>568</p> <p>ZOV0181933</p> <p>Name : Munirabi Shaikh Husbands Name: Babajan Shaikh House Number : 34/1 Age : 56 Gender : Female</p> <p>Photo Available</p>	<p>569</p> <p>MX Y1373992</p> <p>Name : Yesmin Shaikh Husbands Name: Ramtulla Shaikh House Number : 34/1 Age : 50 Gender : Female</p> <p>Photo Available</p>	<p>570</p> <p>ZOV0238840</p> <p>Name : Joly Cherian Husbands Name: Suresh Cherian House Number : 35 Age : 50 Gender : Female</p> <p>Photo Available</p>

# 571 Name : Sayad Vasim Fathers Name: Soid Xabir House Number : 35 Age : 35 Gender : Male	ZOV0181974 Photo Available	572 Name : Ashila Bi Sayyed Fathers Name: Anwar Sayyed House Number : 35 Age : 30 Gender : Female	ZOV0303107 Photo Available	573 Name : Yasira. Anjum Shoupa Husbands Name: Abdul Reheman Sayad House Number : 35 Age : 34 Gender : Female	ZOV0431700 Photo Available
574 Name : Niyaz Tamboli Fathers Name: Chandsab Tamboli House Number : 35 Age : 27 Gender : Male	ZOV0339119 Photo Available	575 Name : Jimela Tegur Husbands Name: Ibrahim Tegur House Number : 35 Age : 39 Gender : Female	MXY1371400 Photo Available	576 Name : Suresh Cherian Fathers Name: P.K Cherian House Number : 35-2 Age : 54 Gender : Male	ZOV0311951 Photo Available
577 Name : Shehanaz Tamboji Husbands Name: Chandsab Tamboji House Number : 35/A Age : 50 Gender : Female	MXY0965863 Photo Available	578 Name : Chandsab Tamboli Fathers Name: Hussainsab Tamboli House Number : 35/A Age : 60 Gender : Male	MXY0966721 Photo Available	579 Name : Laxmi Bhosle Husbands Name: Kalappa Bhosle House Number : 36 Age : 69 Gender : Female	ZOV0399311 Photo Available
580 Name : Narayan Bhosle Fathers Name: Kalappa Bhosle House Number : 36 Age : 40 Gender : Male	MXY0967182 Photo Available	581 Name : Damodar Bhosle Fathers Name: Kalappa Bhosle House Number : 36 Age : 38 Gender : Male	MXY1322536 Photo Available	582 Name : Mangala Bhosle Husbands Name: Narayan Bhosle House Number : 36 Age : 28 Gender : Female	ZOV0333971 Photo Available
583 Name : Arephul Khan Fathers Name: Abul Kalam Khan House Number : 36 Age : 49 Gender : Male	ZOV0238410 Photo Available	584 Name : Mosattara Begum Khan Fathers Name: Arephul Khan House Number : 36 Age : 38 Gender : Female	ZOV0310169 Photo Available	585 Name : Nazmeem Bi Khan Fathers Name: Nasir Khan House Number : 36 Age : 32 Gender : Female	ZOV0238691 Photo Available
586 Name : Malik Rehan Khan Fathers Name: Nasir Khan House Number : 36 Age : 23 Gender : Male	ZOV0421313 Photo Available	587 Name : Rekha Naik Husbands Name: Tukaram Naik House Number : 36 Age : 44 Gender : Female	ZOV0269969 Photo Available	588 Name : Tukaram Naik Fathers Name: Vishnu Naik House Number : 36 Age : 44 Gender : Male	ZOV0269985 Photo Available
589 Name : Shivram Naik Fathers Name: Vishnu Naik House Number : 36 Age : 43 Gender : Male	ZOV0269951 Photo Available	590 Name : Sanika Naik Husbands Name: Shivram Naik House Number : 36 Age : 40 Gender : Female	ZOV0238428 Photo Available	591 Name : Abdul Sobhan Piyada Fathers Name: Jahangir Ali Piyada House Number : 36 Age : 67 Gender : Male	ZOV0238873 Photo Available
592 Name : Mohomad Mumtazul Hussan Piyada Fathers Name: Abdul Sobhan Piyada House Number : 36 Age : 38 Gender : Male	ZOV0238683 Photo Available	593 Name : Sayful Islam Piyada Fathers Name: Abdul Sobhan Piyada House Number : 36 Age : 35 Gender : Male	ZOV0238857 Photo Available	594 Name : Abdul Aziz Shekh Fathers Name: Mehbub Shekh House Number : 36 Age : 50 Gender : Male	ZOV0362962 Photo Available
595 Name : Mumtaz Khan Husbands Name: Muktum Khan House Number : 36/1 Age : 49 Gender : Female	MXY0973404 Photo Available	596 Name : Napisa Mulla Fathers Name: Bandenawaz Mulla House Number : 36/2 Age : 34 Gender : Female	ZOV0294991 Photo Available	597 Name : Bandenawaz Mulla Fathers Name: Mohamadsab Mulla House Number : 36/3 Age : 61 Gender : Male	ZOV0399345 Photo Available
598 Name : Mumtaz Mulla Husbands Name: Bandenawaz Mulla House Number : 36/3 Age : 53 Gender : Female	ZOV0399337 Photo Available	599 Name : Muktsab Mulla Fathers Name: Mahamadsab Mulla House Number : 36/3 Age : 49 Gender : Male	ZOV0399329 Photo Available	600 Name : Kausar Mulla Husbands Name: Maktum Mulla House Number : 36/3 Age : 46 Gender : Female	MXY7743453 Photo Available

<p>601</p> <p>ZOV0422089</p> <p>Name : Shaheel Mulla Fathers Name: Maktum Mulla House Number : 36/3 Age : 24 Gender : Male</p> <p>Photo</p> <p>Available</p>	<p>602</p> <p>ZOV0415315</p> <p>Name : Mallikjaan Mulla Fathers Name: Bandenewaz mulla House Number : 36/3 Age : 22 Gender : Male</p> <p>Photo</p> <p>Available</p>	<p>603</p> <p>ZOV0416776</p> <p>Name : Sohll Mulla Fathers Name: Muktuksab Mulla House Number : 36/3 Age : 22 Gender : Male</p> <p>Photo</p> <p>Available</p>
<p>604</p> <p>MXY0875393</p> <p>Name : Maktum Khan Fathers Name: Noorahamad Khan House Number : 36/4 Age : 49 Gender : Male</p> <p>Photo</p> <p>Available</p>	<p>605</p> <p>ZOV0359547</p> <p>Name : Paras Khan Fathers Name: Maktum Khan House Number : 36/4 Age : 25 Gender : Male</p> <p>Photo</p> <p>Available</p>	<p>606</p> <p>ZOV0379503</p> <p>Name : Firdose Khan Fathers Name: Maktum Khan House Number : 36/4 Age : 24 Gender : Male</p> <p>Photo</p> <p>Available</p>
<p>607</p> <p>ZOV0313361</p> <p>Name : Shahanoor Kittur Fathers Name: Mohamadhanif Kittur House Number : 36/4 Age : 39 Gender : Male</p> <p>Photo</p> <p>Available</p>	<p>608</p> <p>ZOV0295840</p> <p>Name : Ilyaz Sayad Fathers Name: Shaukat Ali Sayad House Number : 36/5 Age : 30 Gender : Male</p> <p>Photo</p> <p>Available</p>	<p>609</p> <p>MXY1364587</p> <p>Name : Taufik Sayed Fathers Name: Shaukat Ali Sayed House Number : 36/5 Age : 38 Gender : Male</p> <p>Photo</p> <p>Available</p>
<p>610</p> <p>ZOV0254227</p> <p>Name : Shaukat Ali Sayyad Fathers Name: Ali Mohammad Sayyad House Number : 36/5 Age : 54 Gender : Male</p> <p>Photo</p> <p>Available</p>	<p>611</p> <p>MXY0967018</p> <p>Name : Kamrunbi Sayyad Husbands Name: Shaukat Ali Sayyad House Number : 36/5 Age : 51 Gender : Female</p> <p>Photo</p> <p>Available</p>	<p>612</p> <p>ZOV0319541</p> <p>Name : Shabana Sayyad Husbands Name: Taufik Sayyad House Number : 36/5 Age : 35 Gender : Female</p> <p>Photo</p> <p>Available</p>
<p>613</p> <p>ZOV0343905</p> <p>Name : Uday Kumar Singh Fathers Name: Adalat Prasad Singh House Number : 36/5 Age : 45 Gender : Male</p> <p>Photo</p> <p>Available</p>	<p>614</p> <p>ZOV0343897</p> <p>Name : Anita Devi Singh Husbands Name: Uday Kumar Singh House Number : 36/5 Age : 43 Gender : Female</p> <p>Photo</p> <p>Available</p>	<p>615</p> <p>ZOV0383323</p> <p>Name : Nitish Kumar Singh Fathers Name: Uday Kumar Singh House Number : 36/5 Age : 23 Gender : Male</p> <p>Photo</p> <p>Available</p>
<p>616</p> <p>ZOV0352070</p> <p>Name : Ayesha Husbands Name: Suleman Basha Jamadar House Number : 36/6 Age : 26 Gender : Female</p> <p>Photo</p> <p>Available</p>	<p>617</p> <p>MXY0965848</p> <p>Name : Imam Hussain Jamadar Fathers Name: Dastagirsab Jamadar House Number : 36/6 Age : 54 Gender : Male</p> <p>Photo</p> <p>Available</p>	<p>618</p> <p>MXY1323724</p> <p>Name : Ruksana Jamadar Husbands Name: Imam Husain Jamadar House Number : 36/6 Age : 51 Gender : Female</p> <p>Photo</p> <p>Available</p>
<p>619</p> <p>ZOV0287011</p> <p>Name : Suleman Basha Jamadar Fathers Name: Imam Husain Jamadar House Number : 36/6 Age : 30 Gender : Male</p> <p>Photo</p> <p>Available</p>	<p>620</p> <p>ZOV0339150</p> <p>Name : Kausarbi Jamadar Fathers Name: Imamhusen Jamadar House Number : 36/6 Age : 27 Gender : Female</p> <p>Photo</p> <p>Available</p>	<p>621</p> <p>ZOV0361675</p> <p>Name : Mahaboob Subani Jamadar Fathers Name: Imamhusain Jamadar House Number : 36/6 Age : 25 Gender : Male</p> <p>Photo</p> <p>Available</p>
<p>622</p> <p>ZOV0425397</p> <p>Name : Altafahamed Mohamadhanif Lakmeshwar Fathers Name: Mohamadhanif Gafarsab Lakmeshwar House Number : 36/17 Age : 22 Gender : Male</p> <p>Photo</p> <p>Available</p>	<p>623</p> <p>ZOV0436873</p> <p>Name : SAHIL LAKMESHWAR Fathers Name: MAHAMMAD H. G. LAKMESHWAR House Number : 36/17 Age : 20 Gender : Male</p> <p>Photo</p> <p>Available</p>	<p>624</p> <p>MXY1369362</p> <p>Name : Siddappa Daddi Fathers Name: Malkare Daddi House Number : 36/b Age : 58 Gender : Male</p> <p>Photo</p> <p>Available</p>
<p>625</p> <p>MXY1369180</p> <p>Name : Sumitra Daddi Husbands Name: Siddappa Daddi House Number : 36/b Age : 51 Gender : Female</p> <p>Photo</p> <p>Available</p>	<p>626</p> <p>MXY0968396</p> <p>Name : Puttappa Dhodoingnavar Fathers Name: Ningappa Dhodoingnavar House Number : 36/D Age : 69 Gender : Male</p> <p>Photo</p> <p>Available</p>	<p>627</p> <p>MXY0967497</p> <p>Name : Gaurrava Puttappa Dhodoingnavar Husbands Name: Ningappa Dhodoingnavar House Number : 36/D Age : 58 Gender : Female</p> <p>Photo</p> <p>Available</p>
<p>628</p> <p>MXY1356666</p> <p>Name : Mallikarjun Dhodoingnavar Fathers Name: Ningappa Dhodoingnavar House Number : 36/d Age : 39 Gender : Male</p> <p>Photo</p> <p>Available</p>	<p>629</p> <p>MXY1356542</p> <p>Name : Hanumant Dhodoingnavar Fathers Name: Ningappa Dhodoingnavar House Number : 36/d Age : 38 Gender : Male</p> <p>Photo</p> <p>Available</p>	<p>630</p> <p>MXY0968305</p> <p>Name : Devki More Husbands Name: Shambu More House Number : 36/f Age : 79 Gender : Female</p> <p>Photo</p> <p>Available</p>

<p>631</p> <p>ZOV0347401</p> <p>Name : Nazeema Pakzade Fathers Name: Karimsab Pakzade House Number : 36/P Age : 27 Gender : Female</p> <p>Photo Available</p>	<p>632</p> <p>ZOV0346460</p> <p>Name : Renuka Garur Husbands Name: Basappa Garur House Number : 36/Tt Age : 44 Gender : Female</p> <p>Photo Available</p>	<p>633</p> <p>ZOV0294900</p> <p>Name : Ijajuddeen Fathers Name: Imamuddeen House Number : 37 Age : 41 Gender : Male</p> <p>Photo Available</p>
<p>634</p> <p>ZOV0376392</p> <p>Name : Vandana Kumari Bharti Fathers Name: Rajeshkumar Bharti House Number : 37 Age : 26 Gender : Female</p> <p>Photo Available</p>	<p>635</p> <p>ZOV0376103</p> <p>Name : Nandana Kumari Bharti Fathers Name: Rajesh Kumar Bharti House Number : 37 Age : 24 Gender : Female</p> <p>Photo Available</p>	<p>636</p> <p>ZOV0067249</p> <p>Name : Suvarna Champwad Fathers Name: Giriappa Champwad House Number : 37 Age : 45 Gender : Female</p> <p>Photo Available</p>
<p>637</p> <p>ZOV0344960</p> <p>Name : Sayyed Akbar Hosabavi Fathers Name: Mohadinsab Hosabavi House Number : 37 Age : 64 Gender : Male</p> <p>Photo Available</p>	<p>638</p> <p>ZOV0344903</p> <p>Name : Shakilabi Hosabavi Husbands Name: Sayeed Akbar Hosabavi House Number : 37 Age : 56 Gender : Female</p> <p>Photo Available</p>	<p>S 639</p> <p>ZOV0346692</p> <p>Name : Mubina Hosabavi Fathers Name: Sayyed Akbar Hosabavi House Number : 37 Age : 30 Gender : Female</p> <p>Photo Available</p>
<p>640</p> <p>ZOV0415356</p> <p>Name : Hidayetulla Sayyed Hosabavi Fathers Name: Akbar sayyed Hosabavi House Number : 37 Age : 23 Gender : Male</p> <p>Photo Available</p>	<p>641</p> <p>ZOV0339176</p> <p>Name : Shiryaj Hosabhavi Fathers Name: Sayyed Akbar Hosabhavi House Number : 37 Age : 26 Gender : Female</p> <p>Photo Available</p>	<p>642</p> <p>ZOV0204248</p> <p>Name : Aktai Kampad Husbands Name: Girappa Kampad House Number : 37 Age : 74 Gender : Female</p> <p>Photo Available</p>
<p>643</p> <p>MXY0968214</p> <p>Name : Sanmukh Kampad Fathers Name: Girappa Kampad House Number : 37 Age : 54 Gender : Male</p> <p>Photo Available</p>	<p>644</p> <p>MXY1351162</p> <p>Name : Jayashri Kampad Husbands Name: Sanmukh Kampad House Number : 37 Age : 39 Gender : Female</p> <p>Photo Available</p>	<p>645</p> <p>ZOV0333989</p> <p>Name : Renuka Patil Fathers Name: Kumar @ Rajkumar Patil House Number : 37 Age : 35 Gender : Female</p> <p>Photo Available</p>
<p>646</p> <p>ZOV0349431</p> <p>Name : Rakan Shaikh Fathers Name: Iqbal Shaikh House Number : 37 Age : 29 Gender : Male</p> <p>Photo Available</p>	<p>647</p> <p>ZOV0416180</p> <p>Name : Mehek Shaikh Fathers Name: Nazir Shaikh House Number : 37 Age : 22 Gender : Female</p> <p>Photo Available</p>	<p>648</p> <p>ZOV0421305</p> <p>Name : Midhat Shaikh Fathers Name: Iqbal Shaikh House Number : 37 Age : 21 Gender : Female</p> <p>Photo Available</p>
<p>649</p> <p>ZOV0199109</p> <p>Name : Rashida Sheikh Husbands Name: Jainuddin Sheikh House Number : 37 Age : 60 Gender : Female</p> <p>Photo Available</p>	<p>650</p> <p>MXY0057687</p> <p>Name : Nazir Sheikh Fathers Name: Hussain Sheikh House Number : 37 Age : 63 Gender : Male</p> <p>Photo Available</p>	<p>651</p> <p>MXY9306317</p> <p>Name : Iqbal Sheikh Fathers Name: Hussain Sheikh House Number : 37 Age : 54 Gender : Male</p> <p>Photo Available</p>
<p>652</p> <p>MXY0967141</p> <p>Name : Shjidabi Sheikh Husbands Name: Nazir Sheikh House Number : 37 Age : 49 Gender : Female</p> <p>Photo Available</p>	<p>653</p> <p>MXY0967166</p> <p>Name : Yasmin Sheikh Husbands Name: Iqbal Sheikh House Number : 37 Age : 48 Gender : Female</p> <p>Photo Available</p>	<p>654</p> <p>MXY1375310</p> <p>Name : Razina Sheikh Fathers Name: Jainuddin Sheikh House Number : 37 Age : 37 Gender : Female</p> <p>Photo Available</p>
<p>655</p> <p>ZOV0300814</p> <p>Name : Ruhin Sheikh Fathers Name: Jainoodin Sheikh House Number : 37 Age : 31 Gender : Female</p> <p>Photo Available</p>	<p>656</p> <p>MXY9306531</p> <p>Name : Zainodin Xec Fathers Name: Ussein Xec House Number : 37 Age : 64 Gender : Male</p> <p>Photo Available</p>	<p>657</p> <p>MXY1096064</p> <p>Name : Dasharath Gaonkar Fathers Name: Shrikant Gaonkar House Number : 37/1 Age : 41 Gender : Male</p> <p>Photo Available</p>
<p>658</p> <p>ZOV0343764</p> <p>Name : Swapna Gaonkar Husbands Name: Dasharath Gaonkar House Number : 37/1 Age : 40 Gender : Female</p> <p>Photo Available</p>	<p>659</p> <p>MXY1298751</p> <p>Name : Nitesh Gaonkar Fathers Name: Shrikant Gaonkar House Number : 37/1 Age : 40 Gender : Male</p> <p>Photo Available</p>	<p>660</p> <p>ZOV0374868</p> <p>Name : Nita Gaonkar Husbands Name: Nitesh Gaonkar House Number : 37/1 Age : 30 Gender : Female</p> <p>Photo Available</p>

<p>661</p> <p>NYX0311530</p> <p>Name : Shaheen Dodmani Husbands Name: Iqbalahmed Makandar House Number : 37/2 Age : 30 Gender : Female</p> <p>Photo Available</p>	<p>662</p> <p>ZOV0197889</p> <p>Name : Quattalsab Makandar Fathers Name: Imamsab Makandar House Number : 37/2 Age : 68 Gender : Male</p> <p>Photo Available</p>	<p>663</p> <p>ZOV0199133</p> <p>Name : Khatalbi Makandar Husbands Name: Quattalsab Makandar House Number : 37/2 Age : 59 Gender : Female</p> <p>Photo Available</p>
<p>664</p> <p>ZOV0270330</p> <p>Name : Ikbal Ahmad Makandar Fathers Name: Quattalsab Makandar House Number : 37/2 Age : 43 Gender : Male</p> <p>Photo Available</p>	<p>665</p> <p>MXY1349356</p> <p>Name : Salim Makandar Fathers Name: Quattalsab Makandar House Number : 37/2 Age : 38 Gender : Male</p> <p>Photo Available</p>	<p>666</p> <p>MXY1348077</p> <p>Name : Mohammad Shahid Makandar Fathers Name: Qatalsab Makandar House Number : 37/2 Age : 37 Gender : Male</p> <p>Photo Available</p>
<p>667</p> <p>ZOV0354704</p> <p>Name : Shireen Husbands Name: Jamir Mulla House Number : 37/3 Age : 35 Gender : Female</p> <p>Photo Available</p>	<p>668</p> <p>ZOV0416461</p> <p>Name : Haseeb Ahmad Fathers Name: Sagir Ahmad House Number : 37/3 Age : 38 Gender : Male</p> <p>Photo Available</p>	<p>669</p> <p>ZOV0353169</p> <p>Name : Gulzar Begum Husbands Name: Moneerahmad Mulla House Number : 37/3 Age : 51 Gender : Female</p> <p>Photo Available</p>
<p>670</p> <p>ZOV0199299</p> <p>Name : Jaitun Bi Mulla Husbands Name: Mahamad Hanif Mulla House Number : 37/3 Age : 77 Gender : Female</p> <p>Photo Available</p>	<p>671</p> <p>ZOV0204149</p> <p>Name : Ramiza Bi Mulla Husbands Name: Talab Ali Mulla House Number : 37/3 Age : 69 Gender : Female</p> <p>Photo Available</p>	<p>672</p> <p>ZOV0279158</p> <p>Name : Ansar Mulla Fathers Name: Mahamad Hanif Mulla House Number : 37/3 Age : 50 Gender : Male</p> <p>Photo Available</p>
<p>673</p> <p>ZOV0153288</p> <p>Name : Munaf Mulla Fathers Name: Mahamad Hanif Mulla House Number : 37/3 Age : 49 Gender : Male</p> <p>Photo Available</p>	<p>674</p> <p>ZOV0213215</p> <p>Name : Munir Mulla Fathers Name: Mahamad Hanif Mulla House Number : 37/3 Age : 48 Gender : Male</p> <p>Photo Available</p>	<p>675</p> <p>MXY1369842</p> <p>Name : Nafisa Mulla Husbands Name: Ansar Mulla House Number : 37/3 Age : 42 Gender : Female</p> <p>Photo Available</p>
<p>676</p> <p>MXY1369859</p> <p>Name : Najima Mulla Husbands Name: Munaf Mulla House Number : 37/3 Age : 41 Gender : Female</p> <p>Photo Available</p>	<p>677</p> <p>ZOV0203067</p> <p>Name : Jamir Mulla Fathers Name: Tala Ali Mulla House Number : 37/3 Age : 39 Gender : Male</p> <p>Photo Available</p>	<p>678</p> <p>ZOV0325332</p> <p>Name : Mohammed Jaffer Mulla Fathers Name: Tajim Mulla House Number : 37/3 Age : 28 Gender : Male</p> <p>Photo Available</p>
<p>679</p> <p>ZOV0416917</p> <p>Name : Uzma Parveen Haseeb Ahmad Husbands Name: Haseeb Ahmad House Number : 37/3A, Age : 37 Gender : Female</p> <p>Photo Available</p>	<p>680</p> <p>ZOV0200469</p> <p>Name : Hira Babu Mathakar Husbands Name: Babu Mathakar House Number : 38/a Age : 71 Gender : Female</p> <p>Photo Available</p>	<p>681</p> <p>ZOV0399295</p> <p>Name : Vinod Babu Mathakar Fathers Name: Babu Mathakar House Number : 38/A Age : 55 Gender : Male</p> <p>Photo Available</p>
<p>682</p> <p>ZOV0200444</p> <p>Name : Veena Vinod Mathakar Husbands Name: Vinod Mathakar House Number : 38/a Age : 51 Gender : Female</p> <p>Photo Available</p>	<p>683</p> <p>ZOV0422113</p> <p>Name : Aayush Mathkar Fathers Name: Vinod Mathkar House Number : 38/A Age : 22 Gender : Male</p> <p>Photo Available</p>	<p>684</p> <p>MXY7743339</p> <p>Name : Vijay Matkar Fathers Name: Babu Matkar House Number : 38/A Age : 50 Gender : Male</p> <p>Photo Available</p>
<p>685</p> <p>ZOV0248302</p> <p>Name : Ashwini Matkar Husbands Name: Vijay Matkar House Number : 38/A Age : 43 Gender : Female</p> <p>Photo Available</p>	<p>686</p> <p>ZOV0238436</p> <p>Name : Abbas Ali Valekar Fathers Name: Abdul Gafar Valekar House Number : 38/A Age : 35 Gender : Male</p> <p>Photo Available</p>	<p>687</p> <p>MXY7743115</p> <p>Name : Ganpat Baburao Mathakar Fathers Name: Baburao Mathakar House Number : 38/B Age : 64 Gender : Male</p> <p>Photo Available</p>
<p>688</p> <p>ZOV0200451</p> <p>Name : Shanti Ganpat Mathakar Husbands Name: Ganpat Mathakar House Number : 38/b Age : 62 Gender : Female</p> <p>Photo Available</p>	<p>689</p> <p>MXY1391010</p> <p>Name : Rudresh Mathkar Fathers Name: Ganpat Mathkar House Number : 38/b Age : 40 Gender : Male</p> <p>Photo Available</p>	<p>690</p> <p>ZOV0344986</p> <p>Name : Sandeep Mingannavar Fathers Name: Surappa Mingannavar House Number : 38/B Age : 29 Gender : Male</p> <p>Photo Available</p>

<p>691</p> <p>ZOV0344929</p> <p>Name : Sumitra Mujanawar Husbands Name : Surappa Mujanawar House Number : 38/B Age : 55 Gender : Female</p> <p>Photo</p> <p>Available</p>	<p>692</p> <p>ZOV0344911</p> <p>Name : Surekha Mujanawar Fathers Name : Surappa Mujanawar House Number : 38/B Age : 38 Gender : Female</p> <p>Photo</p> <p>Available</p>	<p>693</p> <p>MX Y7765787</p> <p>Name : Khatun Bi Attar Husbands Name : Madarsab Attar House Number : 39/1 Age : 79 Gender : Female</p> <p>Photo</p> <p>Available</p>
<p>694</p> <p>ZOV0204974</p> <p>Name : Mehebbubi Attar Husbands Name : Dilawar Attar House Number : 39/1 Age : 64 Gender : Female</p> <p>Photo</p> <p>Available</p>	<p>695</p> <p>ZOV0204834</p> <p>Name : Mahamad Hayat Attar Fathers Name : Madarsab Attar House Number : 39/1 Age : 60 Gender : Male</p> <p>Photo</p> <p>Available</p>	<p>696</p> <p>ZOV0204958</p> <p>Name : Rehmat Attar Husbands Name : Mahammad Attar House Number : 39/1 Age : 51 Gender : Female</p> <p>Photo</p> <p>Available</p>
<p>697</p> <p>ZOV0204982</p> <p>Name : Madarsab Attar Fathers Name : Dilawar Attar House Number : 39/1 Age : 42 Gender : Male</p> <p>Photo</p> <p>Available</p>	<p>698</p> <p>MX Y1324193</p> <p>Name : Hararat Bilal Attar Fathers Name : Dilawar Attar House Number : 39/1 Age : 40 Gender : Male</p> <p>Photo</p> <p>Available</p>	<p>699</p> <p>MX Y1348002</p> <p>Name : Abdul Nabi Attar Fathers Name : Mohammad Attar House Number : 39/1 Age : 37 Gender : Male</p> <p>Photo</p> <p>Available</p>
<p>700</p> <p>ZOV0308429</p> <p>Name : Asama Attar Fathers Name : Mahamad Hayat Attar House Number : 39/1 Age : 34 Gender : Female</p> <p>Photo</p> <p>Available</p>	<p>701</p> <p>ZOV0308577</p> <p>Name : Nesrinbanu Attar Fathers Name : Mahamad Hayat Attar House Number : 39/1 Age : 31 Gender : Female</p> <p>Photo</p> <p>Available</p>	<p>702</p> <p>ZOV0308437</p> <p>Name : Sumayya Attar Fathers Name : Mahamad Hayat Attar House Number : 39/1 Age : 29 Gender : Female</p> <p>Photo</p> <p>Available</p>
<p>703</p> <p>ZOV0334029</p> <p>Name : Tabassum Attar Husbands Name : Hararat Bilal Attar House Number : 39/1 Age : 28 Gender : Female</p> <p>Photo</p> <p>Available</p>	<p>704</p> <p>ZOV0203943</p> <p>Name : Kamaruddin Jafar Fathers Name : Kasim Jafar House Number : 39/1 Age : 45 Gender : Male</p> <p>Photo</p> <p>Available</p>	<p>705</p> <p>MX Y1371988</p> <p>Name : Alifa Jafar Fathers Name : Kasim Jafar House Number : 39/1 Age : 41 Gender : Female</p> <p>Photo</p> <p>Available</p>
<p>706</p> <p>ZOV0238709</p> <p>Name : Heena Shaikh Husbands Name : Mohammad Muhid Shaikh House Number : 39/1 Age : 32 Gender : Female</p> <p>Photo</p> <p>Available</p>	<p>707</p> <p>ZOV0362996</p> <p>Name : Muneer Shaik Fathers Name : Mahboob Sab Shaik House Number : 39/2 Age : 34 Gender : Male</p> <p>Photo</p> <p>Available</p>	<p>708</p> <p>ZOV0362640</p> <p>Name : Shabina Shaikh Husbands Name : Abdul Aziz Shaikh House Number : 39/2 Age : 41 Gender : Female</p> <p>Photo</p> <p>Available</p>
<p>709</p> <p>ZOV0362947</p> <p>Name : Mohamad Kadir Shaikh Fathers Name : Mehboob Shaikh House Number : 39/2 Age : 32 Gender : Male</p> <p>Photo</p> <p>Available</p>	<p>710</p> <p>ZOV0356428</p> <p>Name : Mehmdud Shekh Fathers Name : Jabbarsaheb Shekh House Number : 39/2 Age : 62 Gender : Male</p> <p>Photo</p> <p>Available</p>	<p>711</p> <p>ZOV0356410</p> <p>Name : Bibijan Shekh Husbands Name : Mehboob Shekh House Number : 39/2 Age : 52 Gender : Female</p> <p>Photo</p> <p>Available</p>
<p>712</p> <p>ZOV0362939</p> <p>Name : Sameer Shekh Fathers Name : Mehboob Shekh House Number : 39/2 Age : 42 Gender : Male</p> <p>Photo</p> <p>Available</p>	<p>713</p> <p>ZOV0362954</p> <p>Name : Kabir Shekh Fathers Name : Mehboob Shekh House Number : 39/2 Age : 41 Gender : Male</p> <p>Photo</p> <p>Available</p>	<p>714</p> <p>ZOV0368316</p> <p>Name : Surayya Aktar Husbands Name : Madarsab Aktar House Number : 39/A Age : 37 Gender : Female</p> <p>Photo</p> <p>Available</p>
<p>715</p> <p>MX Y0966267</p> <p>Name : Ramnath Mamelekar Fathers Name : Pandurang Mamelekar House Number : 39/A Age : 69 Gender : Male</p> <p>Photo</p> <p>Available</p>	<p>716</p> <p>ZOV0213223</p> <p>Name : Janki Mamelekar Husbands Name : Ramnath Mamelekar House Number : 39/a Age : 62 Gender : Female</p> <p>Photo</p> <p>Available</p>	<p>717</p> <p>MX Y1379825</p> <p>Name : Amey Mamelekar Fathers Name : Ramnath Mamelekar House Number : 39/a Age : 38 Gender : Male</p> <p>Photo</p> <p>Available</p>
<p>718</p> <p>ZOV0213348</p> <p>Name : Anup Mamelekar Fathers Name : Ramnath Mamelekar House Number : 39/A Age : 34 Gender : Male</p> <p>Photo</p> <p>Available</p>	<p>719</p> <p>ZOV0153270</p> <p>Name : Devidas Mamelekar Fathers Name : Pandurang Mamelekar House Number : 39/B Age : 60 Gender : Male</p> <p>Photo</p> <p>Available</p>	<p>720</p> <p>MX Y7744568</p> <p>Name : Mohini Mamelekar Husbands Name : Devidas Mamelekar House Number : 39/B Age : 55 Gender : Female</p> <p>Photo</p> <p>Available</p>

<p>721</p> <p>ZOV0415331</p> <p>Name : Pratham Mamlekar Fathers Name: Devidas mamlekar House Number : 39/B Age : 22 Gender : Male</p> <p>Photo Available</p>	<p>722</p> <p>ZOV0385674</p> <p>Name : Prajot Gawas Fathers Name: Pandurang Gawas House Number : 41 Age : 26 Gender : Male</p> <p>Photo Available</p>	<p>723</p> <p>ZOV0254235</p> <p>Name : Purushottam Naik Fathers Name: Dadi Naik House Number : 41 Age : 82 Gender : Male</p> <p>Photo Available</p>
<p>724</p> <p>MXY7761075</p> <p>Name : Dadi Naik Fathers Name: Purshottam Naik House Number : 41 Age : 53 Gender : Male</p> <p>Photo Available</p>	<p>725</p> <p>MXY7761125</p> <p>Name : Diksha Naik Husbands Name: Dadi Naik House Number : 41 Age : 47 Gender : Female</p> <p>Photo Available</p>	<p>726</p> <p>ZOV0418236</p> <p>Name : Pranita Naik Fathers Name: Dadi Naik House Number : 41 Age : 21 Gender : Female</p> <p>Photo Available</p>
<p>727</p> <p>MXY0968248</p> <p>Name : Aruna Cuncolienar Husbands Name: Hari Cuncolienar House Number : 42 Age : 81 Gender : Female</p> <p>Photo Available</p>	<p>728</p> <p>MXY0968230</p> <p>Name : Suria Sinai Cuncolienar Fathers Name: Hari Sinai Cuncolienar House Number : 42 Age : 57 Gender : Male</p> <p>Photo Available</p>	<p>729</p> <p>MXY0968222</p> <p>Name : Chandan Sinai Cuncolienar Husbands Name: Suria Sinai Cuncolienar House Number : 42 Age : 49 Gender : Female</p> <p>Photo Available</p>
<p>730</p> <p>ZOV0385682</p> <p>Name : Madhav Sinai Cuncolienar Fathers Name: Sural Sinai Cuncolienar House Number : 42 Age : 24 Gender : Male</p> <p>Photo Available</p>	<p>731</p> <p>ZOV0310367</p> <p>Name : Ravi Puttappa Dhodoingnavar Fathers Name: Puttappa Dhodoingnavar House Number : 45/1 Age : 34 Gender : Male</p> <p>Photo Available</p>	<p>732</p> <p>ZOV0308593</p> <p>Name : Kumar Puttappa Dhodoingnavar Fathers Name: Puttappa Dhodoingnavar House Number : 45/1 Age : 31 Gender : Male</p> <p>Photo Available</p>
<p>733</p> <p>ZOV0064287</p> <p>Name : Rajkumar Barki Fathers Name: Lingappa Barki House Number : 50 Age : 37 Gender : Male</p> <p>Photo Available</p>	<p>734</p> <p>MXY1516723</p> <p>Name : Shivamma Burki Husbands Name: Lingappa Burki House Number : 50 Age : 65 Gender : Female</p> <p>Photo Available</p>	<p>735</p> <p>MXY1377118</p> <p>Name : Mohamad Shaikh Fathers Name: Gafusab Shaikh House Number : 53 Age : 64 Gender : Male</p> <p>Photo Available</p>
<p>736</p> <p>ZOV0320473</p> <p>Name : Hanumant Hadimani Fathers Name: Muttappa Hadimani House Number : 53a Age : 28 Gender : Male</p> <p>Photo Available</p>	<p>737</p> <p>ZOV0331918</p> <p>Name : Usmansab Dambalkar Fathers Name: Allabaksh Dambalkar House Number : 64 Age : 27 Gender : Male</p> <p>Photo Available</p>	<p>738</p> <p>ZOV0295022</p> <p>Name : Ashok Hegde Fathers Name: Yellappa Hegde House Number : 75 Age : 30 Gender : Male</p> <p>Photo Available</p>
<p>739</p> <p>ZOV0399261</p> <p>Name : Aishabi Mirabai Husbands Name: Mehboob Mirabai House Number : 81 Age : 55 Gender : Female</p> <p>Photo Available</p>	<p>740</p> <p>ZOV0278069</p> <p>Name : Robina Mirabai Fathers Name: Mahabooob Mirabai House Number : 81 Age : 32 Gender : Female</p> <p>Photo Available</p>	<p>741</p> <p>ZOV0374454</p> <p>Name : Malickjan Mirambai Fathers Name: Mahboob Mirambai House Number : 81 Age : 24 Gender : Male</p> <p>Photo Available</p>
<p>742</p> <p>MXY1357334</p> <p>Name : Madhu Naik Fathers Name: Raghu Naik House Number : 135 Age : 78 Gender : Male</p> <p>Photo Available</p>	<p>743</p> <p>ZOV0314948</p> <p>Name : Mandabai Naik Husbands Name: Madhu Naik House Number : 135 Age : 69 Gender : Female</p> <p>Photo Available</p>	<p>744</p> <p>MXY1349315</p> <p>Name : Satish Naik Fathers Name: Madhu Naik House Number : 135 Age : 48 Gender : Male</p> <p>Photo Available</p>
<p>745</p> <p>ZOV0322263</p> <p>Name : Sanisha Naik Husbands Name: Satish Naik House Number : 135 Age : 39 Gender : Female</p> <p>Photo Available</p>	<p>746</p> <p>HLK2194835</p> <p>Name : Hitesh Gavade Fathers Name: Suryakant Gavade House Number : 136 Age : 43 Gender : Male</p> <p>Photo Available</p>	<p>747</p> <p>ZOV0334458</p> <p>Name : Shital Gavade Husbands Name: Hitesh Gavade House Number : 136 Age : 37 Gender : Female</p> <p>Photo Available</p>
<p>748</p> <p>ZOV0399576</p> <p>Name : Suryakant Gawade Fathers Name: Shankar Gawade House Number : 136 Age : 80 Gender : Male</p> <p>Photo Available</p>	<p>749</p> <p>ZOV0399568</p> <p>Name : Surekha Gawade Husbands Name: Suryakant Gawade House Number : 136 Age : 74 Gender : Female</p> <p>Photo Available</p>	<p>750</p> <p>HLK0259424</p> <p>Name : Nilesh Gawade Fathers Name: Suryakant Gawade House Number : 136 Age : 44 Gender : Male</p> <p>Photo Available</p>

<p>751</p> <p>ZOV0238717</p> <p>Name : Sindhya Gawade Husbands Name: Nilesh Gawade House Number : 136 Age : 41 Gender : Female</p> <p>Photo</p> <p>Available</p>	<p>752</p> <p>MXY1518679</p> <p>Name : Mustaq Inamdar Fathers Name: Chandpir Inamdar House Number : 154 Age : 45 Gender : Male</p> <p>Photo</p> <p>Available</p>	<p>753</p> <p>MXY0966069</p> <p>Name : Sailma Balkunri Fathers Name: Abdul Sattar Balkunri House Number : 208 Age : 47 Gender : Female</p> <p>Photo</p> <p>Available</p>
<p>754</p> <p>ZOV0300798</p> <p>Name : Abdulhamid Hakim Fathers Name: Rajasab Hakim House Number : 208 Age : 32 Gender : Male</p> <p>Photo</p> <p>Available</p>	<p>755</p> <p>ZOV0359521</p> <p>Name : Sattar Haqim Fathers Name: Rajasab Haqim House Number : 208 Age : 26 Gender : Male</p> <p>Photo</p> <p>Available</p>	<p>756</p> <p>MXY0965905</p> <p>Name : Aftab Khan Fathers Name: Abdul Sattar Khan House Number : 208 Age : 46 Gender : Male</p> <p>Photo</p> <p>Available</p>
<p>757</p> <p>ZOV0267682</p> <p>Name : Yasmin Khan Husbands Name: Aftab Khan House Number : 208 Age : 42 Gender : Female</p> <p>Photo</p> <p>Available</p>	<p>758</p> <p>ZOV0069138</p> <p>Name : Mehboobi Pathan Husbands Name: Riyaz Pathan House Number : 208 Age : 64 Gender : Female</p> <p>Photo</p> <p>Available</p>	<p>759</p> <p>MXY1364595</p> <p>Name : Imran Pathan Fathers Name: Riyaz Pathan House Number : 208 Age : 39 Gender : Male</p> <p>Photo</p> <p>Available</p>
<p>760</p> <p>MXY1349257</p> <p>Name : Rijwan Pathan Fathers Name: Riyaz Pathan House Number : 208 Age : 38 Gender : Male</p> <p>Photo</p> <p>Available</p>	<p>761</p> <p>MXY1349323</p> <p>Name : Irfan Pathan Fathers Name: Riyaz Pathan House Number : 208 Age : 37 Gender : Male</p> <p>Photo</p> <p>Available</p>	<p>762</p> <p>MXY1353879</p> <p>Name : Saibi Yalgundri Husbands Name: Maktum Yalgundri House Number : 208 Age : 59 Gender : Female</p> <p>Photo</p> <p>Available</p>
<p>763</p> <p>MXY1353861</p> <p>Name : Farida Yalgundri Fathers Name: Maktum Yalgundri House Number : 208 Age : 41 Gender : Female</p> <p>Photo</p> <p>Available</p>	<p>764</p> <p>MXY1350248</p> <p>Name : Sameer Yalgundri Fathers Name: Maktum Yalgundri House Number : 208 Age : 39 Gender : Male</p> <p>Photo</p> <p>Available</p>	<p>765</p> <p>ZOV0334011</p> <p>Name : Khwaja Moynu Davangir Fathers Name: Mahaboobali Davangir House Number : 273 Age : 27 Gender : Male</p> <p>Photo</p> <p>Available</p>
<p>766</p> <p>ZOV0337394</p> <p>Name : Anisa Banu Davangiri Fathers Name: Mahaboobali Davangiri House Number : 273 Age : 30 Gender : Female</p> <p>Photo</p> <p>Available</p>	<p>767</p> <p>ZOV0344861</p> <p>Name : Taoushif Davangiri Fathers Name: Mahaboobali Davangiri House Number : 273 Age : 26 Gender : Male</p> <p>Photo</p> <p>Available</p>	<p>768</p> <p>ZOV0420968</p> <p>Name : Husen Peer Fathers Name: Mohammad Yusuf Peer House Number : 273 Age : 32 Gender : Male</p> <p>Photo</p> <p>Available</p>
<p>769</p> <p>ZOV0293167</p> <p>Name : Sangeeta Patil Husbands Name: Vasant Patil House Number : 1250 Age : 33 Gender : Female</p> <p>Photo</p> <p>Available</p>	<p>770</p> <p>ZOV0294942</p> <p>Name : Rashi Matkar Husbands Name: Rudresh Matkar House Number : B-38 Age : 36 Gender : Female</p> <p>Photo</p> <p>Available</p>	<p>771</p> <p>ZOV0416784</p> <p>Name : Ramjan Pathan Fathers Name: Salim Pathan House Number : C-5-431 Age : 22 Gender : Male</p> <p>Photo</p> <p>Available</p>
<p>772</p> <p>ZOV0370080</p> <p>Name : Salim Pathan Fathers Name: Maktum Khan Pathan House Number : C-5-43C-1 Age : 46 Gender : Male</p> <p>Photo</p> <p>Available</p>	<p>773</p> <p>ZOV0370072</p> <p>Name : Rabiya Pathan Husbands Name: Salim Pathan House Number : C-5-43C-1 Age : 41 Gender : Female</p> <p>Photo</p> <p>Available</p>	<p>774</p> <p>ZOV0431635</p> <p>Name : ELZAR PATHAN Fathers Name: SALIM PATHAN House Number : C-5-43C-1 Age : 24 Gender : Female</p> <p>Photo</p> <p>Available</p>
<p>775</p> <p>TVK0350660</p> <p>Name : Muskan Muzawar Fathers Name: Shiraj Muzawar House Number : H.no.14/B Age : 25 Gender : Female</p> <p>Photo</p> <p>Available</p>	<p>776</p> <p>ZOV0380303</p> <p>Name : Shapeen Banu Sheikh Fathers Name: Babajan Sheikh House Number : H no 15 Age : 25 Gender : Female</p> <p>Photo</p> <p>Available</p>	<p>777</p> <p>ZOV0385336</p> <p>Name : Asma Tamboli Fathers Name: Chandsab Tamboli House Number : H.No. 35 Age : 30 Gender : Female</p> <p>Photo</p> <p>Available</p>
<p>778</p> <p>ZOV0385351</p> <p>Name : Gulamhusan Tamboli Fathers Name: Chandsab Tamboli House Number : H.No.35 Age : 25 Gender : Male</p> <p>Photo</p> <p>Available</p>	<p>779</p> <p>ZOV0419812</p> <p>Name : Sayed Muhiz Fathers Name: Sayed Haroon House Number : H.no .37 Age : 24 Gender : Male</p> <p>Photo</p> <p>Available</p>	<p>780</p> <p>ZOV0441816</p> <p>Name : HANAN SAYED Mothers Name: MUMTAJBI SAYYED House Number : H.no.37 Age : 20 Gender : Female</p> <p>Photo</p> <p>Available</p>

<p>781</p> <p>ZOV0439687</p> <p>Name : HEENA SAYAD Fathers Name: ANWAR SAYYAD House Number : H.no 92 FF4 Nagamasjid Age : 23 Gender : Female</p> <p>Photo Available</p>	<p>782</p> <p>ZOV0384933</p> <p>Name : Vishal More Fathers Name: Sanjay More House Number : H No. 12/45 Age : 23 Gender : Male</p> <p>Photo Available</p>	<p>783</p> <p>ZOV0431601</p> <p>Name : Gulnaz Bano Tahasildar Fathers Name: Mahamad Azam Tahasildar House Number : Nagzar Age : 20 Gender : Female</p> <p>Photo Available</p>
---	---	---

<p>784 1 ZOV0445890</p> <p>Name : Simran Subani Tigroli Fathers Name: Subani Tigroli House Number : 31/5 Age : 19 Gender : Female</p> <p>Photo Available</p>	<p>785 1 ZOV0445908</p> <p>Name : Nehal Nisar Bichunavar Fathers Name: Nissar Bichunavar House Number : 29E Age : 18 Gender : Male</p> <p>Photo Available</p>	<p>786 1 ZOV0445916</p> <p>Name : Alfiya Abdul Shaikh Fathers Name: Abdul Shaikh House Number : 12/9 Age : 19 Gender : Female</p> <p>Photo Available</p>
<p>787 1 ZOV0445924</p> <p>Name : Shahid Shabbir Shaikh Fathers Name: Shabbir Shaikh House Number : 31/6 Age : 19 Gender : Male</p> <p>Photo Available</p>	<p>788 1 ZOV0445940</p> <p>Name : Rihana Ayub Sattigeri Fathers Name: Ayub Sattigeri House Number : 31/8/B Age : 19 Gender : Female</p> <p>Photo Available</p>	<p>789 1 ZOV0445965</p> <p>Name : Urnama Nazir Shaikh Fathers Name: Nazir Hussain Shaikh House Number : 37 Age : 19 Gender : Female</p> <p>Photo Available</p>
<p>790 1 ZOV0446542</p> <p>Name : Sunniraj Singh Fathers Name: Uday Kumar Singh House Number : H No 36/5 Age : 20 Gender : Male</p> <p>Photo Available</p>	<p>791 1 ZOV0448753</p> <p>Name : BIBE MARYAM PATHAN Fathers Name: AHMAD PATHAN House Number : H. No. 11/25 Age : 34 Gender : Female</p> <p>Photo Available</p>	<p>792 1 ZOV0449397</p> <p>Name : Afsana Haqim Husbands Name: Sattar Haqim House Number : 208 Age : 21 Gender : Female</p> <p>Photo Available</p>
<p>793 1 ZOV0449207</p> <p>Name : KARISHAMA SHAIKH Fathers Name: FAYYAZ SHAIKH House Number : H. No. 12/13 Age : 18 Gender : Female</p> <p>Photo Available</p>	<p>794 1 ZOV0449363</p> <p>Name : Taisina Bijgerni Fathers Name: Rasul Bijgerni House Number : 31/3 Age : 19 Gender : Female</p> <p>Photo Available</p>	<p>795 1 ZOV0449371</p> <p>Name : Afiya Hongal Fathers Name: Abdul Karim Hongal House Number : 37/2 Age : 19 Gender : Female</p> <p>Photo Available</p>
<p>796 1 ZOV0449132</p> <p>Name : SUBHASH KALADAGI Fathers Name: SURESH KALADAGI House Number : 12/44 Age : 22 Gender : Male</p> <p>Photo Available</p>	<p>797 1 ZOV0449389</p> <p>Name : Sadhiya Bijgerni Fathers Name: Rasul Bijgerni House Number : 31/3 Age : 18 Gender : Female</p> <p>Photo Available</p>	<p>798 1 ZOV0449496</p> <p>Name : Saniya Mohamadrafi Makandar Fathers Name: Mohamadrafi Makandar House Number : 218 Age : 18 Gender : Female</p> <p>Photo Available</p>
<p>799 1 ZOV0449702</p> <p>Name : Mohammed Zayeem Mohammed Azam Tahasildar Fathers Name: Mohammed Azam Tahasildar House Number : house no 18/A Nagzar curti Ponda Goa Age : 18 Gender : Male</p> <p>Photo Available</p>		

SUMMARY OF ELECTORS							
A) NUMBER OF ELECTORS							
		Roll Type	Roll Identification	NUMBER OF ELECTORS			
				Male	Female	Third Gender	Total
I	Mother Roll	Mother Roll	Basic Roll of Special Summary Revision 2024 published on 27-10-2023 integrated with Additions, Deletions and Modifications carried out during Special Summary Revision 2024.	388	395	0	783
II	1- List of Additions	Supplement 1	Special Summary Revision 2024	5	11	0	16
III	2- List of Deletions	Supplement 1	Special Summary Revision 2024	6	9	0	15
IV	Difference due to modification in Gender field			0	0	0	0
Net Elector in this Roll after this Revision (I+II-III+IV)				387	397	0	784

B) NUMBER OF MODIFICATIONS		
Roll Type	Roll Identification	NUMBER OF MODIFICATIONS
Supplement 1	Special Summary Revision 2024	10

Signature of Electoral Registration Officer

E-Expired S-Shifted/Change of Residence R-Duplicate M-Missing Q-Disqualified