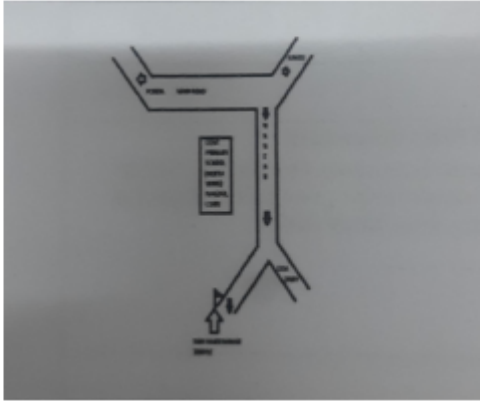


ELECTORAL ROLL 2024 S05 Goa

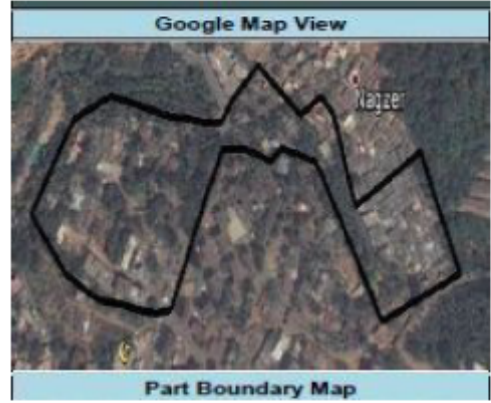
No. Name and Reservation Status of Assembly Constituency : 21 - PONDA (GEN)				Part No. : 20															
No. Name and Reservation Status of Parliamentary Constituency(ies) in which the Assembly Constituency is located : 2 - SOUTH GOA (GEN)																			
1. Details of Revision																			
Year of Revision	2024	Roll Identification Basic Roll of Special Summary Revision 2024 published on 27-10-2023 integrated with Additions, Deletions and Modifications carried out during Special Summary Revision 2024.																	
Qualifying Date	01-01-2024																		
Type of revision	Special Summary Revision 2024																		
Date of Updation	05-01-2024																		
2. Details of part and polling area																			
No. and name of sections in the part																			
1-Nagzar Cott, Curti 2-Nagzar, Curti		<table style="width: 100%; border-collapse: collapse;"> <tr> <td style="width: 60%;">Main Town or Village</td> <td style="width: 40%;">: CURTI</td> </tr> <tr> <td>Post Office</td> <td>: PONDA</td> </tr> <tr> <td>Police Station</td> <td>: PONDA</td> </tr> <tr> <td>Block</td> <td>: PONDA</td> </tr> <tr> <td>Subdivision</td> <td>: PONDA</td> </tr> <tr> <td>District</td> <td>: SOUTH GOA</td> </tr> <tr> <td>Pin code</td> <td>: 403401</td> </tr> </table>				Main Town or Village	: CURTI	Post Office	: PONDA	Police Station	: PONDA	Block	: PONDA	Subdivision	: PONDA	District	: SOUTH GOA	Pin code	: 403401
Main Town or Village	: CURTI																		
Post Office	: PONDA																		
Police Station	: PONDA																		
Block	: PONDA																		
Subdivision	: PONDA																		
District	: SOUTH GOA																		
Pin code	: 403401																		
3. Polling station details																			
No. and Name of Polling Station :		Type of Polling Station (Male/Female/General)		General															
20 - Government Primary School(Middle Wing), Nagzar Curti, Ponda Goa		Number of Auxiliary Polling Stations in this part :		0															
Address of Polling Station :																			
Government Primary School, Nagzar Curti Ponda Goa																			
4. NUMBER OF ELECTORS																			
Starting	Ending	Net Electors																	
Serial No.	Serial No.	Male	Female	Third Gender	Total														
1	755	376	328	0	704														

Signature of Electoral Registration Officer

Nazri Naksha



Google Map View



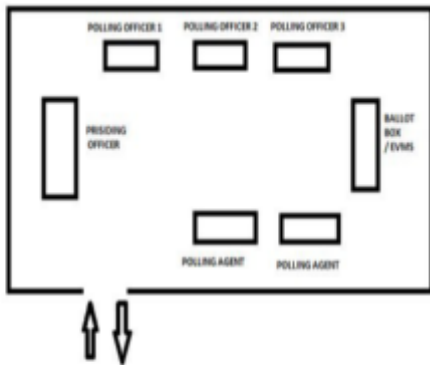
Polling Station Building Front View



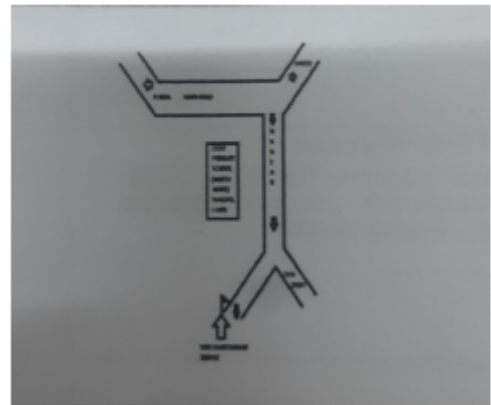
Polling Station Front View



Cad View



Key MAP View



<p>1</p> <p>Name : Juber Thakur Fathers Name: Raju Thakur House Number : - Age : 30 Gender : Male</p> <p>Photo Available</p> <p>ZOV0300947</p>	<p>S 2</p> <p>Name : Inus Dambal Fathers Name: Mohammad Ali Dambal House Number : 01 Age : 27 Gender : Male</p> <p>Photo Available</p> <p>ZOV0370346</p>	<p>3</p> <p>Name : Alla Bakash Khan Fathers Name: Mohammad Khan House Number : 01 Age : 71 Gender : Male</p> <p>Photo Available</p> <p>ZOV0198606</p>
<p>4</p> <p>Name : Salima Khan Husbands Name: Allabakash Khan House Number : 1 Age : 61 Gender : Female</p> <p>Photo Available</p> <p>ZOV0343418</p>	<p>5</p> <p>Name : Asudulla Mulla Fathers Name: Suleman Mulla House Number : 1 Age : 84 Gender : Male</p> <p>Photo Available</p> <p>MXY1348127</p>	<p>6</p> <p>Name : Suleman Mulla Fathers Name: Asudulla Mulla House Number : 1 Age : 53 Gender : Male</p> <p>Photo Available</p> <p>ZOV0254631</p>
<p>7</p> <p>Name : Mehtabbi Mulla Husbands Name: Suleman Mulla House Number : 1 Age : 48 Gender : Female</p> <p>Photo Available</p> <p>ZOV0202754</p>	<p>8</p> <p>Name : Sharfudin Mulla Fathers Name: Asudulla Mulla House Number : 1 Age : 39 Gender : Male</p> <p>Photo Available</p> <p>MXY1379551</p>	<p>9</p> <p>Name : Atiya Mulla Husbands Name: Sharfudin Mulla House Number : 1 Age : 29 Gender : Female</p> <p>Photo Available</p> <p>ZOV0356980</p>
<p>10</p> <p>Name : Mariambi Muzawar Husbands Name: Asudulla Muzavar House Number : 1 Age : 69 Gender : Female</p> <p>Photo Available</p> <p>ZOV0285288</p>	<p>11</p> <p>Name : Azim Korwale Fathers Name: Mutalib Korwale House Number : 02 Age : 47 Gender : Male</p> <p>Photo Available</p> <p>ZOV0199315</p>	<p>12</p> <p>Name : AFREEN SABIR KORWALE Husbands Name: MOHAMAD SHABIR KORWALE House Number : 02 Age : 33 Gender : Female</p> <p>Photo Available</p> <p>ZOV0381558</p>
<p>13</p> <p>Name : RESHMA KORWALE Husbands Name: MUZAFFAR KORWALE House Number : 02 Age : 28 Gender : Female</p> <p>Photo Available</p> <p>ZOV0381566</p>	<p>14</p> <p>Name : Mudassar Korwale Fathers Name: Shaikh Ahmad Korwale House Number : 02 Age : 28 Gender : Male</p> <p>Photo Available</p> <p>ZOV0334599</p>	<p>15</p> <p>Name : SADIYA KORWALE Fathers Name: SALIM KORWALE House Number : 02 Age : 23 Gender : Female</p> <p>Photo Available</p> <p>ZOV0381160</p>
<p>16</p> <p>Name : Afreen Rafique Lal Momin Husbands Name: Rafique Lal Momin House Number : 02 Age : 34 Gender : Female</p> <p>Photo Available</p> <p>ZOV0237792</p>	<p>17</p> <p>Name : Mohamed Shabir Korwale Fathers Name: Abdul Mutalib Korwale House Number : 2 Age : 42 Gender : Male</p> <p>Photo Available</p> <p>MXY1364777</p>	<p>18</p> <p>Name : Karishma Hubli Fathers Name: Shabbirahamad Hubli House Number : 2-A Age : 26 Gender : Female</p> <p>Photo Available</p> <p>ZOV0343400</p>
<p>19</p> <p>Name : Saliyam Mulla Fathers Name: Hussein Mulla House Number : 2-a Age : 75 Gender : Male</p> <p>Photo Available</p> <p>MXY1352400</p>	<p>20</p> <p>Name : Munarabi Mulla Husbands Name: Saliyam Mulla House Number : 2-a Age : 65 Gender : Female</p> <p>Photo Available</p> <p>ZOV0202333</p>	<p>21</p> <p>Name : Zeeshan Mulla Fathers Name: Saliyam Mulla House Number : 2-a Age : 41 Gender : Male</p> <p>Photo Available</p> <p>MXY1347962</p>
<p>22</p> <p>Name : Samiulla Fathers Name: Mohammad Yusuf House Number : 2/B Age : 37 Gender : Male</p> <p>Photo Available</p> <p>ZOV0376772</p>	<p>23</p> <p>Name : Rizwan Ansari Fathers Name: Mohammad Ansari House Number : 2/B Age : 25 Gender : Male</p> <p>Photo Available</p> <p>ZOV0363036</p>	<p>24</p> <p>Name : Mahammad Jaffer Kerodi Fathers Name: Abdul Munaf Kerodi House Number : 2/B Age : 27 Gender : Male</p> <p>Photo Available</p> <p>ZOV0331850</p>
<p>25</p> <p>Name : Badibi Sayed Fathers Name: Ahmadsab Sayed House Number : 2/B Age : 22 Gender : Female</p> <p>Photo Available</p> <p>ZOV0422550</p>	<p>26</p> <p>Name : Taslima Banu Shaik Fathers Name: Abdul Munaf Shaik House Number : 2/B Age : 25 Gender : Female</p> <p>Photo Available</p> <p>ZOV0352039</p>	<p>27</p> <p>Name : Fauziya Hadarggri Fathers Name: Hajaresab Hadarggri House Number : 2B Age : 23 Gender : Female</p> <p>Photo Available</p> <p>ZOV0431494</p>
<p>28</p> <p>Name : Shikandar Hadgeri Fathers Name: Hajaresab Hadgeri House Number : 2-B Age : 34 Gender : Male</p> <p>Photo Available</p> <p>ZOV0321851</p>	<p>29</p> <p>Name : Kashim Shaikh Fathers Name: Abdul Shaikh House Number : 2-b Age : 79 Gender : Male</p> <p>Photo Available</p> <p>ZOV0197145</p>	<p>30</p> <p>Name : Aisha Shaikh Husbands Name: Kashim Shaikh House Number : 2-b Age : 78 Gender : Female</p> <p>Photo Available</p> <p>ZOV0202325</p>

31 Name : Toufiq Khan Fathers Name: Samiulla Khan House Number : 03 Age : 21 Gender : Male Photo Available	ZOV0438515	32 Name : Noor Ahmad Fathers Name: Ismail Ahmad House Number : 3 Age : 45 Gender : Male Photo Available	MXY1351147	33 Name : Naseerahmed Chikkerur Fathers Name: Noor Ahmed Chikkerur House Number : 3 Age : 34 Gender : Male Photo Available	ZOV0290411
34 Name : Dadapir Kazri Fathers Name: Rajasab Kazri House Number : 3 Age : 49 Gender : Male Photo Available	MXY0260919	35 Name : Afreen Kazri Husbands Name: Dadapir Kazri House Number : 3 Age : 43 Gender : Female Photo Available	ZOV0203976	36 Name : Nafraz Abdul Shaikh Fathers Name: Kassim Shaikh House Number : 3 Age : 50 Gender : Male Photo Available	MXY1352418
37 Name : Yasmin Bi Shaikh Husbands Name: Nafraz Shaikh House Number : 3 Age : 43 Gender : Female Photo Available	HNY0596080	38 Name : Jaibun Korwale Husbands Name: Abdul Matalib Korwale House Number : 3/A Age : 69 Gender : Female Photo Available	ZOV0199216	39 Name : Shaikhahmed Korwale Fathers Name: Abdul Matalib Shaikh House Number : 3/a Age : 62 Gender : Male Photo Available	ZOV0201319
40 Name : Salim Korwale Fathers Name: Abdul Matalib Korwale House Number : 3/A Age : 53 Gender : Male Photo Available	ZOV0198903	41 Name : Shahnaz Korwale Husbands Name: Salm Korwale House Number : 3/a Age : 47 Gender : Female Photo Available	MXY1364074	42 Name : Muzaffar Korwale Fathers Name: Mutalib Korwale House Number : 3/a Age : 41 Gender : Male Photo Available	MXY1349992
43 Name : Taslim Korwale Husbands Name: Azim Korwale House Number : 3/A Age : 37 Gender : Female Photo Available	ZOV0199307	44 Name : Shabnam Korwale Fathers Name: Salim Korwale House Number : 3/A Age : 25 Gender : Female Photo Available	ZOV0354431	45 Name : Fairoza Begam Husbands Name: Nijamuddin Rautar House Number : 3/c Age : 53 Gender : Female Photo Available	MXY1378256
46 Name : Nijamuddin Rautar Fathers Name: Abdul Jabbar Rautar House Number : 3/c Age : 62 Gender : Male Photo Available	MXY1366889	S 47 Name : Riyaz Ahmad Chikeri Fathers Name: Noor Ahmad Chikeri House Number : 3/d Age : 42 Gender : Male DELETED	MXY1351493	48 Name : Reshma Chikeri Fathers Name: Noor Ahmad Chikeri House Number : 3/d Age : 39 Gender : Female Photo Available	MXY1372226
49 Name : Faiyaz Ahmad Chikeri Fathers Name: Noor Ahmad Chikeri House Number : 3/d Age : 37 Gender : Male Photo Available	MXY1351535	50 Name : Samiulla Mutkappa Fathers Name: Zabi Ulla Mutkappa House Number : 3/G Age : 29 Gender : Male Photo Available	ZOV0335539	51 Name : Amanulla Khan Fathers Name: Akabar Khan House Number : 3/i Age : 49 Gender : Male Photo Available	MXY9157199
52 Name : Gulshan Khan Husbands Name: Amanulla Khan House Number : 3/i Age : 39 Gender : Female Photo Available	MXY1325497	53 Name : Khatija Bi Shaikh Husbands Name: Mohmad Shaikh House Number : 3/j Age : 69 Gender : Female Photo Available	ZOV0216812	S 54 Name : Moiddin Shaikh Fathers Name: Abdul Shaikh House Number : 3/j Age : 46 Gender : Male DELETED	MXY8873366
S 55 Name : Shahin Banu Shaikh Husbands Name: Moiddin Shaikh House Number : 3/j Age : 44 Gender : Female DELETED	MXY8873374	56 Name : Shabina Shaikh Fathers Name: Mohmud Shaikh House Number : 3/j Age : 38 Gender : Female Photo Available	MXY1324359	S 57 Name : Rasul Shaikh Fathers Name: Abdul Shaikh House Number : 3/k Age : 53 Gender : Male DELETED	ZOV0254839
58 Name : Ramchandra Alapagol Fathers Name: Maruti Alapagol House Number : 04 Age : 50 Gender : Male Photo Available	HFF1509413	59 Name : Farhanabanu Kalankal Fathers Name: Najarulla Kalankal House Number : 04 Age : 27 Gender : Male Photo Available	ZOV0367805	60 Name : Saddam Kalankal Fathers Name: Najarulla Kalankal House Number : 04 Age : 25 Gender : Male Photo Available	ZOV0367847

<p>61</p> <p>ZOV0320317</p> <p>Name : Junaid Mulla Fathers Name: Abdul Khadar Mulla House Number : 04 Age : 30 Gender : Male</p> <p>Photo</p> <p>Available</p>	<p>62</p> <p>HFF1509397</p> <p>Name : Aparna Alapagol Husbands Name: Ramchandra Alapagol House Number : 4 Age : 43 Gender : Female</p> <p>Photo</p> <p>Available</p>	<p>63</p> <p>ZOV0424697</p> <p>Name : Rohini Ramchandra Alapagol Fathers Name: Ramchandra Alapagol House Number : 4 Age : 24 Gender : Female</p> <p>Photo</p> <p>Available</p>
<p>64</p> <p>ZOV0424705</p> <p>Name : Rahul Alapgol Fathers Name: Ramchandra Alapgol House Number : 4 Age : 22 Gender : Male</p> <p>Photo</p> <p>Available</p>	<p>65</p> <p>ZOV0360495</p> <p>Name : Kulsum Be Mulla Fathers Name: Mulla Hussain Muzawar House Number : 4 Age : 35 Gender : Female</p> <p>Photo</p> <p>Available</p>	<p>66</p> <p>ZOV0356394</p> <p>Name : Aqeeb Mulla Fathers Name: Hussein Muzawar House Number : 4 Age : 30 Gender : Male</p> <p>Photo</p> <p>Available</p>
<p>67</p> <p>ZOV0204826</p> <p>Name : Rashida Muzawar Husbands Name: Husein Muzawar House Number : 4 Age : 53 Gender : Female</p> <p>Photo</p> <p>Available</p>	<p>68</p> <p>MXY1371749</p> <p>Name : Arshad Muzawar Fathers Name: Yunus Muzawar House Number : 4 Age : 39 Gender : Male</p> <p>Photo</p> <p>Available</p>	<p>69</p> <p>ZOV0337220</p> <p>Name : Gulamtikhan Pathan Fathers Name: Alakhan Pathan House Number : 4 Age : 27 Gender : Male</p> <p>Photo</p> <p>Available</p>
<p>70</p> <p>ZOV0315002</p> <p>Name : Abbas Ansari Fathers Name: Badrudin Ansari House Number : 5 Age : 59 Gender : Male</p> <p>Photo</p> <p>Available</p>	<p>71</p> <p>MXY1378504</p> <p>Name : Israfil Ansari Fathers Name: Badrudin Ansari House Number : 5 Age : 41 Gender : Male</p> <p>Photo</p> <p>Available</p>	<p>72</p> <p>MXY1349521</p> <p>Name : Farida Bi Sayyed Husbands Name: Ahmed Sayyed House Number : 5 Age : 58 Gender : Female</p> <p>Photo</p> <p>Available</p>
<p>73</p> <p>ZOV0352021</p> <p>Name : Salim Sayyed Fathers Name: Ahmed Sayyed House Number : 5 Age : 26 Gender : Male</p> <p>Photo</p> <p>Available</p>	<p>74</p> <p>ZOV0321828</p> <p>Name : Tawaship Karnachi Fathers Name: Imamsab Karnachi House Number : 5/4 Age : 29 Gender : Male</p> <p>Photo</p> <p>Available</p>	<p>75</p> <p>MXY1379577</p> <p>Name : Vijay Patel Fathers Name: Awchitrao Patel House Number : 5/B Age : 39 Gender : Male</p> <p>Photo</p> <p>Available</p>
<p>76</p> <p>ZOV0319491</p> <p>Name : Sofia Bi Patil Husbands Name: Vijay Patil House Number : 5/B Age : 36 Gender : Female</p> <p>Photo</p> <p>Available</p>	<p>77</p> <p>ZOV0363002</p> <p>Name : Kausar Bellary Fathers Name: Ismailsab Bellary House Number : 5-B Age : 34 Gender : Female</p> <p>Photo</p> <p>Available</p>	<p>78</p> <p>ZOV0366369</p> <p>Name : Siraj Maniyar Fathers Name: Rajak Maniyar House Number : 5-B Age : 49 Gender : Male</p> <p>Photo</p> <p>Available</p>
<p>79</p> <p>MXY1357524</p> <p>Name : Mujhidhussain Bankapur Fathers Name: Munir Ahamad Bankapur House Number : 7 Age : 41 Gender : Male</p> <p>Photo</p> <p>Available</p>	<p>80</p> <p>ZOV0314963</p> <p>Name : Gaus Abdul Fathers Name: Ali Mahamad House Number : 8 Age : 45 Gender : Male</p> <p>Photo</p> <p>Available</p>	<p>81</p> <p>ZOV0284299</p> <p>Name : Arifa Farash Husbands Name: Abdul Gaus House Number : 8 Age : 39 Gender : Female</p> <p>Photo</p> <p>Available</p>
<p>82</p> <p>ZOV0374918</p> <p>Name : Farida Hangi Husbands Name: Ismail Jabiulla Hangi House Number : 8 Age : 38 Gender : Female</p> <p>Photo</p> <p>Available</p>	<p>83</p> <p>ZOV0431437</p> <p>Name : Sayyadali M H Razzebali Fathers Name: Mohammad Hussain Razzebali House Number : 8/3 Age : 25 Gender : Male</p> <p>Photo</p> <p>Available</p>	<p>84</p> <p>ZOV0431213</p> <p>Name : NEHA SINGH Husbands Name: BAJRANGI KUMAR SINGH House Number : 8/3 Age : 27 Gender : Female</p> <p>Photo</p> <p>Available</p>
<p>85</p> <p>ZOV0303388</p> <p>Name : Sajjadali Rajjabeli Fathers Name: Mahamad Hussain Rajjabeli House Number : 8-3 Age : 30 Gender : Male</p> <p>Photo</p> <p>Available</p>	<p>86</p> <p>ZOV0431478</p> <p>Name : Hussainsab Mullanavar Fathers Name: Imamsab Mullanavar House Number : 8/4 Age : 21 Gender : Male</p> <p>Photo</p> <p>Available</p>	<p>87</p> <p>MXY1349059</p> <p>Name : Saira Banu Husbands Name: Basarat Banu House Number : 8/a Age : 41 Gender : Female</p> <p>Photo</p> <p>Available</p>
<p>88</p> <p>MXY1351634</p> <p>Name : Basarat Mohmad Fathers Name: Islam Mohmad House Number : 8/a Age : 44 Gender : Male</p> <p>Photo</p> <p>Available</p>	<p>89</p> <p>MXY1372382</p> <p>Name : Ahmed Tahshin Fathers Name: Ali Hasan Tahshin House Number : 8/b Age : 40 Gender : Male</p> <p>Photo</p> <p>Available</p>	<p>90</p> <p>ZOV0252601</p> <p>Name : Shaheen Banu Husbands Name: Abdul Wahab Banu House Number : 8/C Age : 45 Gender : Female</p> <p>Photo</p> <p>Available</p>

<p>S 91</p> <p>MX Y1323468</p> <p>Name : Jabbar Khan Fathers Name: Alla Bakash Khan House Number : 8/B Age : 43 Gender : Male</p> <p>Photo Available</p>	<p>S 92</p> <p>MX Y1325026</p> <p>Name : Fatima Khanam Husbands Name: Alla Bakash Khan House Number : 8/C Age : 75 Gender : Female</p> <p>Photo Available</p>	<p>93</p> <p>ZOV0252593</p> <p>Name : Abdul Wahab Fathers Name: Amir Jan Wahab House Number : 8/C Age : 59 Gender : Male</p> <p>Photo Available</p>
<p>94</p> <p>MX Y9152596</p> <p>Name : Mehsboob Bi Husbands Name: Ismail Bi House Number : 8/D Age : 87 Gender : Female</p> <p>Photo Available</p>	<p>95</p> <p>ZOV0216820</p> <p>Name : Bhagirathi Pujari Husbands Name: Raju Pujari House Number : 8/e Age : 39 Gender : Female</p> <p>Photo Available</p>	<p>96</p> <p>ZOV0274092</p> <p>Name : Moheb Kapati Fathers Name: Babulsab Kapati House Number : 8/F Age : 42 Gender : Male</p> <p>Photo Available</p>
<p>97</p> <p>ZOV0368068</p> <p>Name : Saima Kapati Husbands Name: Mohib Kapati House Number : 8/F Age : 36 Gender : Female</p> <p>Photo Available</p>	<p>98</p> <p>ZOV0356949</p> <p>Name : Riyana Khan Husbands Name: Shamiulla Khan House Number : 8/G Age : 45 Gender : Female</p> <p>Photo Available</p>	<p>99</p> <p>ZOV0249953</p> <p>Name : Shamiulla Khan Fathers Name: Akbar Khan House Number : 8/G Age : 45 Gender : Male</p> <p>Photo Available</p>
<p>100</p> <p>ZOV0317883</p> <p>Name : Abdul Razzak Bagewadi Fathers Name: Hussein Bagewadi House Number : 8/D 17 Age : 33 Gender : Male</p> <p>Photo Available</p>	<p>101</p> <p>ZOV0422584</p> <p>Name : Sultan Shaikh Fathers Name: Abdul Shaikh House Number : 9 Age : 23 Gender : Male</p> <p>Photo Available</p>	<p>102</p> <p>ZOV0422592</p> <p>Name : Subhahan Shaikh Fathers Name: Abdul Shaikh House Number : 9 Age : 22 Gender : Male</p> <p>Photo Available</p>
<p>S 103</p> <p>MX Y1354679</p> <p>Name : Abdul Nazir Shaikh Fathers Name: Sham Shaikh House Number : 9 Age : 42 Gender : Male</p> <p>Photo Available</p>	<p>S 104</p> <p>MX Y1354737</p> <p>Name : Hussin Zakir Fathers Name: Hassan Zakir House Number : 9 Age : 54 Gender : Male</p> <p>Photo Available</p>	<p># 105</p> <p>ZOV0439380</p> <p>Name : Malik Bichunavar Fathers Name: Lijakhatali Bichunavar House Number : 10 Age : 21 Gender : Male</p> <p>Photo Available</p>
<p>106</p> <p>ZOV0382366</p> <p>Name : Reshma Shaikh Fathers Name: Khaja Mohidin Shaikh House Number : 10/A/2 Age : 34 Gender : Female</p> <p>Photo Available</p>	<p>107</p> <p>ZOV0203315</p> <p>Name : Ashiya Bi Muzawar Shaikh Husbands Name: Noor Mohamad Shaikh House Number : 11 Age : 44 Gender : Female</p> <p>Photo Available</p>	<p>108</p> <p>ZOV0438705</p> <p>Name : Nabeel Mohammad Shaikh Fathers Name: Noor Mohammad Shaikh House Number : 11 Age : 21 Gender : Male</p> <p>Photo Available</p>
<p>109</p> <p>ZOV0300921</p> <p>Name : Hina Bepari Husbands Name: Altaf Bepari House Number : 11/4 Age : 31 Gender : Female</p> <p>Photo Available</p>	<p>110</p> <p>ZOV0431395</p> <p>Name : Salim Shaikh Fathers Name: Mahaboobsab Shaikh House Number : 11/8 Age : 39 Gender : Male</p> <p>Photo Available</p>	<p>111</p> <p>ZOV0326082</p> <p>Name : Shabina Dastagir Fathers Name: Dasthir Patel House Number : 11/15 Age : 29 Gender : Female</p> <p>Photo Available</p>
<p>112</p> <p>ZOV0326090</p> <p>Name : Bibi Aaisha Patel Fathers Name: Dastagir Sab Patel House Number : 11/15 Age : 28 Gender : Female</p> <p>Photo Available</p>	<p>113</p> <p>ZOV0379925</p> <p>Name : Sulemaan Kittur Fathers Name: Babu Kittur House Number : 11/19 Age : 23 Gender : Male</p> <p>Photo Available</p>	<p>114</p> <p>ZOV0337733</p> <p>Name : Shainaj Shikh Husbands Name: Dadapir Shikh House Number : 11/28 Age : 36 Gender : Female</p> <p>Photo Available</p>
<p>115</p> <p>ZOV0431460</p> <p>Name : MADIHA MULLA Fathers Name: ZABIULLA MULLA House Number : 11/33 Age : 21 Gender : Female</p> <p>Photo Available</p>	<p># 116</p> <p>ZOV0276907</p> <p>Name : SABA BI IRFAN MULLA Husbands Name: Rafiq Peerjade House Number : H.NO 11/4 Age : 33 Gender : Female</p> <p>Photo Available</p>	<p>117</p> <p>ZOV0415521</p> <p>Name : Meezba Bi Fathers Name: Mulla Munaf Muzawer House Number : 12 Age : 23 Gender : Female</p> <p>Photo Available</p>
<p>118</p> <p>ZOV0424879</p> <p>Name : Farhat Bi Fathers Name: Munaf Mulla Muzawar House Number : 12 Age : 21 Gender : Female</p> <p>Photo Available</p>	<p>119</p> <p>MX Y0202481</p> <p>Name : Munaf Muzawar Mulla Fathers Name: Mohidin Mulla House Number : 12 Age : 59 Gender : Male</p> <p>Photo Available</p>	<p>120</p> <p>MX Y1353549</p> <p>Name : Safura Muzawar Mulla Husbands Name: Munaf Mulla House Number : 12 Age : 51 Gender : Female</p> <p>Photo Available</p>

<p>121</p> <p>ZOV0374769</p> <p>Name : Maktumbi Nadaf Husbands Name: Ramjan Nadaf House Number : 12 Age : 31 Gender : Female</p> <p>Photo</p> <p>Available</p>	<p>122</p> <p>ZOV0373910</p> <p>Name : Malesh Pujari Fathers Name: Iranna Pujari House Number : 12/4 Age : 27 Gender : Male</p> <p>Photo</p> <p>Available</p>	<p>123</p> <p>ZOV0443580</p> <p>Name : Mehar Mohmedshafi Halsi Fathers Name: Mohmedshafi Halsi House Number : 12/10 Age : 19 Gender : Female</p> <p>Photo</p> <p>Available</p>
<p>124</p> <p>ZOV0438770</p> <p>Name : Samir sheikh Fathers Name: Salim sheikh House Number : 12/26 Age : 25 Gender : Male</p> <p>Photo</p> <p>Available</p>	<p>125</p> <p>ZOV0443960</p> <p>Name : Dastagira Husensab Nadaf Fathers Name: Husensab Nadaf House Number : 12/32 Age : 20 Gender : Male</p> <p>Photo</p> <p>Available</p>	<p>126</p> <p>ZOV0426593</p> <p>Name : Afreen Nadaf Husbands Name: Kutubuddin Nadaf House Number : 12/33 Age : 30 Gender : Female</p> <p>Photo</p> <p>Available</p>
<p>127</p> <p>ZOV0414706</p> <p>Name : Jaytunbi Tasildar Fathers Name: Bashasab Tasildar House Number : 12/41 Age : 23 Gender : Female</p> <p>Photo</p> <p>Available</p>	<p>128</p> <p>ZOV0366898</p> <p>Name : Manjunath More Fathers Name: Mahendra More House Number : 12/44 Age : 25 Gender : Male</p> <p>Photo</p> <p>Available</p>	<p>129</p> <p>MXY1361971</p> <p>Name : Ahamad Muzawar Mulla Fathers Name: Kasim Mulla House Number : 12/a Age : 71 Gender : Male</p> <p>Photo</p> <p>Available</p>
<p>130</p> <p>MXY9306200</p> <p>Name : Zeenat Bi Mulla Husbands Name: Ahamad Mulla House Number : 12/A Age : 69 Gender : Female</p> <p>Photo</p> <p>Available</p>	<p>131</p> <p>ZOV0284497</p> <p>Name : Javed Mulla Fathers Name: Ahamad Mulla House Number : 12/A Age : 42 Gender : Male</p> <p>Photo</p> <p>Available</p>	<p>132</p> <p>MXY1361906</p> <p>Name : Tabrez Mulla Fathers Name: Ahamad Mulla House Number : 12/a Age : 37 Gender : Male</p> <p>Photo</p> <p>Available</p>
<p>133</p> <p>MXY1384817</p> <p>Name : Mulla Imran Muzawar Fathers Name: Mulla Ammed Muzawar House Number : 12/A Age : 45 Gender : Male</p> <p>Photo</p> <p>Available</p>	<p>134</p> <p>MXY1379585</p> <p>Name : Mulla Arif Muzawar Fathers Name: Mulla Ahamad Muzawar House Number : 12/A Age : 39 Gender : Male</p> <p>Photo</p> <p>Available</p>	<p>135</p> <p>MXY1352210</p> <p>Name : Nasreen Mulla Fathers Name: Razad Mulla House Number : 12/b Age : 37 Gender : Female</p> <p>Photo</p> <p>Available</p>
<p>136</p> <p>MXY9306234</p> <p>Name : Fatima Bi Muzawar Husbands Name: Razad Muzawar House Number : 12/B Age : 59 Gender : Female</p> <p>Photo</p> <p>Available</p>	<p>137</p> <p>MXY9157108</p> <p>Name : Abdul Munaf Kherodi Fathers Name: Babansab Kherodi House Number : 12/C Age : 57 Gender : Male</p> <p>Photo</p> <p>Available</p>	<p>138</p> <p>MXY9157074</p> <p>Name : Parveen Bi Kherodi Husbands Name: Abdul Munaf Kherodi House Number : 12/C Age : 42 Gender : Female</p> <p>Photo</p> <p>Available</p>
<p>139</p> <p>MXY9152497</p> <p>Name : Julekha Bi Shaikh Husbands Name: Abdul Kadar Shaikh House Number : 12/C Age : 77 Gender : Female</p> <p>Photo</p> <p>Available</p>	<p>140</p> <p>MXY1355155</p> <p>Name : Abdul Sattar Shaikh Fathers Name: Babansab Shaikh House Number : 12/d Age : 47 Gender : Male</p> <p>Photo</p> <p>Available</p>	<p>141</p> <p>MXY1349836</p> <p>Name : Fayuma Shaikh Husbands Name: Abdul Sattar Shaikh House Number : 12/D Age : 41 Gender : Female</p> <p>Photo</p> <p>Available</p>
<p>142</p> <p>ZOV0424341</p> <p>Name : Javid Bepari Fathers Name: Shafi Bepari House Number : 13/1 Age : 22 Gender : Male</p> <p>Photo</p> <p>Available</p>	<p>143</p> <p>ZOV0424358</p> <p>Name : Shabnam Bepari Fathers Name: Shafi Bepari House Number : 13/1 Age : 21 Gender : Female</p> <p>Photo</p> <p>Available</p>	<p>144</p> <p>ZOV0425439</p> <p>Name : Rabiya Banu Gadag Husbands Name: Riyaz Gadag House Number : 13/1 Age : 37 Gender : Female</p> <p>Photo</p> <p>Available</p>
<p>145</p> <p>ZOV0321844</p> <p>Name : Riyaz Ahamad Gadag Fathers Name: Khasimsab Gadak House Number : 13/1 Age : 37 Gender : Male</p> <p>Photo</p> <p>Available</p>	<p>146</p> <p>MXY1359736</p> <p>Name : Sharif Mohamad Fathers Name: Mahmad Mohamad House Number : 13/1 Age : 42 Gender : Male</p> <p>Photo</p> <p>Available</p>	<p>S 147</p> <p>ZOV0068650</p> <p>Name : Tabraj Ahmed Patwekar Fathers Name: Ahamad Patwekar House Number : 13/1 Age : 46 Gender : Male</p> <p>Photo</p> <p>Available</p>
<p>148</p> <p>ZOV0383026</p> <p>Name : Shaffi Sayed Fathers Name: Mohammad Hanif Sayed House Number : 13/1 Age : 43 Gender : Male</p> <p>Photo</p> <p>Available</p>	<p>S 149</p> <p>ZOV0377713</p> <p>Name : Sabreen Shaikh Husbands Name: Sameer Shaikh House Number : 13/1 Age : 58 Gender : Female</p> <p>Photo</p> <p>Available</p>	<p>S 150</p> <p>ZOV0377705</p> <p>Name : Sameer Shaikh Fathers Name: Rajasab Shaikh House Number : 13/1 Age : 38 Gender : Male</p> <p>Photo</p> <p>Available</p>

151 Name : Mehaboob Bi Bepari Husbands Name: Gafursab Bepari House Number : 13/A Age : 54 Gender : Female	MXY1321793 Photo Available	152 Name : Imamjafar Bepari Fathers Name: Gapursab Bepari House Number : 13/A Age : 33 Gender : Male	ZOV0356956 Photo Available	153 Name : Javid Bepari Fathers Name: Gafursab Bepari House Number : 13/A Age : 31 Gender : Male	ZOV0300988 Photo Available
154 Name : Nusrat Anjum Bepari Husbands Name: Imam Jafar Bepari House Number : 13/A Age : 30 Gender : Female	ZOV0301002 Photo Available	155 Name : Zakir Hussain Fathers Name: Maktumsab Yedegeri House Number : 13/a Age : 41 Gender : Male	MXY1324029 Photo Available	156 Name : Shafi Bepari Fathers Name: Karimsab Mulla House Number : 13/c Age : 46 Gender : Male	MXY1349703 Photo Available
157 Name : Saira Bepari Husbands Name: Shafi Bepari House Number : 13/C Age : 44 Gender : Female	MXY1379668 Photo Available	158 Name : Sharfuddin Jamadar Fathers Name: Mainuddin Jamadar House Number : 13/D Age : 40 Gender : Male	MXY1324250 Photo Available	159 Name : Moosa Kunhi Fathers Name: Amanthu Kunhi House Number : 13/D Age : 61 Gender : Male	ZOV0368324 Photo Available
160 Name : Ali Jamaidar Maula Fathers Name: Mohinodin Maula House Number : 13/d Age : 54 Gender : Male	MXY1324003 Photo Available	161 Name : Jamaidar Kayum Maula Fathers Name: Mohinodin Maula House Number : 13/d Age : 45 Gender : Male	MXY1324284 Photo Available	162 Name : K.M. Mohammed Fathers Name: Mammunchi Moldeen House Number : 13/D Age : 64 Gender : Male	ZOV0368332 Photo Available
163 Name : Hajaral Ali Bepari Fathers Name: Karimsab Bepari House Number : 13/e Age : 51 Gender : Male	MXY9157256 Photo Available	164 Name : Mohamad Shafi Inamdar Fathers Name: Kadar Karim Inamdar House Number : 13/f Age : 53 Gender : Male	MXY1358506 Photo Available	165 Name : Noor Jahan Husbands Name: Mohamad Inamdar House Number : 13/f Age : 41 Gender : Female	MXY1322080 Photo Available
S 166 Name : Parameshwar Malligauda Fathers Name: Kadappa Malligauda House Number : 13/f Age : 47 Gender : Male	MXY1349687 Photo Available	S 167 Name : Girija Malligauda Husbands Name: Parameshwar Malligauda House Number : 13/f Age : 41 Gender : Female	MXY1352111 Photo Available	168 Name : Basavraj Pujari Fathers Name: Pujari Pujari House Number : 13/G Age : 59 Gender : Male	MXY1379635 Photo Available
169 Name : Laxmi Pujari Husbands Name: Basavraj Pujari House Number : 13/G Age : 54 Gender : Female	MXY1379650 Photo Available	170 Name : Hanif Muzawar Mulla Fathers Name: Sharif Mulla House Number : 14 Age : 70 Gender : Male	ZOV0254896 Photo Available	171 Name : Shabirabi Mulla Husbands Name: Hanif Mulla House Number : 14 Age : 69 Gender : Female	MXY9306143 Photo Available
172 Name : Haison Mulla Fathers Name: Hanif Mulla House Number : 14 Age : 37 Gender : Male	MXY1353275 Photo Available	173 Name : Naziya Muzawar Husbands Name: Naim Muzawar House Number : 14 Age : 41 Gender : Female	ZOV0319509 Photo Available	174 Name : Munira Bi Muzawar Husbands Name: Aiyaz Muzawar House Number : 14 Age : 32 Gender : Female	THU0235796 Photo Available
175 Name : Mhormmad Sahil Muzavor Fathers Name: Abubakar Muzavor House Number : 14-A Age : 28 Gender : Male	ZOV0319459 Photo Available	176 Name : Abubakar Mulla Fathers Name: Sharif Mulla House Number : 14/B Age : 71 Gender : Male	ZOV0254862 Photo Available	177 Name : Parvez Begam Mulla Husbands Name: Abubkar Mulla House Number : 14/B Age : 61 Gender : Female	MXY0202424 Photo Available
178 Name : Zainap Zeba Muzavar Fathers Name: Mulla Abubacar Muzavar House Number : 14/B Age : 27 Gender : Female	ZOV0354829 Photo Available	179 Name : Mumtaz Bi Ali Muzawar Husbands Name: Ali Muzawar House Number : 14/c Age : 69 Gender : Female	ZOV0202721 Photo Available	180 Name : Nadeem Ahamad Fathers Name: Abdul Ahamad House Number : 14/D Age : 49 Gender : Male	ZOV0284372 Photo Available

181 Name : Riaz Mulla Fathers Name: Abdul Karim House Number : 14/d Age : 44 Gender : Male	ZOV0151696 Photo Available	182 Name : Mulla Nayeem Muzawar Fathers Name: Abdul Karim House Number : 14/D Age : 46 Gender : Male	ZOV0064170 Photo Available	183 Name : Aiyaz Karim Muzawar Fathers Name: Muzawar Abdul House Number : 14/D Age : 42 Gender : Male	ZOV0284406 Photo Available
184 Name : SANIA MULAM ABU BACAR MUZAVOR Fathers Name: ABU BACAR MUZAVOR House Number : 14/A1 Age : 18 Gender : Female	ZOV0445106 Photo Available	185 Name : Gulzar Banu Husbands Name: Mullam Mohamad Rafik Muzavor House Number : 16 Age : 49 Gender : Female	MXY1364116 Photo Available	186 Name : Mulla Mohamad Adnan Mujawar Fathers Name: Mulla Mohamad Raffick Mujawar House Number : 16 Age : 22 Gender : Male	ZOV0414888 Photo Available
187 Name : Rafique Mohamad Mulla Fathers Name: Karim Mulla House Number : 16 Age : 59 Gender : Male	ZOV0274134 Photo Available	188 Name : Mumtaj Ahmad Fathers Name: Sadik Ahmad House Number : 16/a Age : 57 Gender : Male	MXY1362771 Photo Available	189 Name : Riyaz Ahmad Fathers Name: Ali Ahmad House Number : 16/a Age : 37 Gender : Male	MXY1381185 Photo Available
190 Name : Ahmad Bhure Fathers Name: Isalamoddin Bhure House Number : 16/a Age : 59 Gender : Male	MXY1351477 Photo Available	191 Name : Shabnam Bi Husbands Name: Sadik Mohamad House Number : 16/a Age : 40 Gender : Female	MXY1349034 Photo Available	192 Name : Sabir Hussan Fathers Name: Sadik Hussan House Number : 16/a Age : 64 Gender : Male	MXY1371053 Photo Available
S 193 Name : Abdul Mobin Fathers Name: Kalim Ulla Mobin House Number : 16/a Age : 41 Gender : Male	MXY1372440 Photo Available	194 Name : Ashraf Mohamad Fathers Name: Saddik Mohamad House Number : 16/a Age : 59 Gender : Male	MXY1349695 Photo Available	195 Name : Sadik Mohamad Fathers Name: Hussain Mohamad House Number : 16/a Age : 43 Gender : Male	MXY1349240 Photo Available
196 Name : Jakir Mohamad Fathers Name: Ali Ahmad Mohamad House Number : 16/a Age : 40 Gender : Male	MXY1381169 Photo Available	197 Name : Nafiz Mohamad Fathers Name: Bundhu Mohamad House Number : 16/a Age : 38 Gender : Male	MXY1381201 Photo Available	198 Name : Faim Mohamad Fathers Name: Bundhu Mohamad House Number : 16/a Age : 37 Gender : Male	MXY1381177 Photo Available
S 199 Name : Afaq Mohamad Fathers Name: Akhbar Mohamad House Number : 16/a Age : 37 Gender : Male	MXY1381151 Photo Available	200 Name : Abdul Rehman Fathers Name: Kalim Ulla Rehman House Number : 16/a Age : 44 Gender : Male	ZOV0254813 Photo Available	201 Name : Abdul Wahid Fathers Name: Kalim Ulla Wahid House Number : 16/a Age : 37 Gender : Male	MXY1381193 Photo Available
S 202 Name : Shekhar Patil Fathers Name: Basappa Patil House Number : 16/c Age : 64 Gender : Male	MXY1349737 Photo Available	S 203 Name : Shanta Patil Husbands Name: Shekhar Patil House Number : 16/D Age : 57 Gender : Female	ZOV0285296 Photo Available	204 Name : Noor Ahmad Fathers Name: Gausasab Ahmad House Number : 16/c Age : 79 Gender : Male	MXY1356401 Photo Available
205 Name : Mehbusab Ahmad Fathers Name: Noor Ahmad House Number : 16/c Age : 54 Gender : Male	MXY1378041 Photo Available	206 Name : Jafarsab Ahmad Fathers Name: Noor Ahmad House Number : 16/c Age : 41 Gender : Male	MXY1351881 Photo Available	S 207 Name : Noor Jahan Bi Husbands Name: Noor Ahmad House Number : 16/c Age : 67 Gender : Female	MXY1378025 Photo Available
208 Name : Noos Bi Husbands Name: Mulla Amiroddin Muzawar House Number : 17 Age : 57 Gender : Female	MXY1357557 Photo Available	209 Name : Asma Dyavankatti Fathers Name: Mohammed Gouse Dyavankatti House Number : 17 Age : 38 Gender : Female	ZOV0197384 Photo Available	210 Name : Nagraj Hujarati Fathers Name: Irappa Hujarati House Number : 17 Age : 26 Gender : Male	ZOV0342493 Photo Available

<p>S 211</p> <p>MX Y1353192</p> <p>Name : Ajmeer Khan Fathers Name: Husain Khan House Number : 17 Age : 44 Gender : Male</p> <p>Photo Available</p>	<p>212</p> <p>ZOV0348979</p> <p>Name : Rubiya Bi Mulla Muzawar Fathers Name: Mulam Mamod Amirodin Muzavor House Number : 17 Age : 29 Gender : Female</p> <p>Photo Available</p>	<p>213</p> <p>MX Y1357540</p> <p>Name : Mulam Mamod Amirodin Muzavor Fathers Name: Mulam Abdul Cadir Muzavor House Number : 17 Age : 66 Gender : Male</p> <p>Photo Available</p>
<p>214</p> <p>ZOV0352054</p> <p>Name : Mulla Abdul Kader Rehan Muzawar Fathers Name: Mulam Mamod Amirodin Muzavor House Number : 17 Age : 26 Gender : Male</p> <p>Photo Available</p>	<p>215</p> <p>ZOV0377549</p> <p>Name : Sushma Palsankar Others : Prakash Palsankar House Number : 17 Age : 38 Gender : Female</p> <p>Photo Available</p>	<p>S 216</p> <p>ZOV0319517</p> <p>Name : Afrin Thakur Fathers Name: Raju Thakur House Number : 17 Age : 28 Gender : Female</p> <p>Photo Available</p>
<p>S 217</p> <p>ZOV0357004</p> <p>Name : Farhin Thakur Fathers Name: Raju Thakur House Number : 17 Age : 26 Gender : Female</p> <p>Photo Available</p>	<p>218</p> <p>MX Y9305764</p> <p>Name : Noor Ahmad Shaikh Fathers Name: Abdul Shaikh House Number : 17/B Age : 58 Gender : Male</p> <p>Photo Available</p>	<p>219</p> <p>MX Y9305749</p> <p>Name : Shamim Banu Shaikh Husbands Name: Noor Ahamad Shaikh House Number : 17/B Age : 57 Gender : Female</p> <p>Photo Available</p>
<p>220</p> <p>ZOV0249979</p> <p>Name : Mahabub Bi Shaikh Fathers Name: Abdul Kadar House Number : 17/B Age : 45 Gender : Male</p> <p>Photo Available</p>	<p>221</p> <p>MX Y1323062</p> <p>Name : Mohamad Jafar Savnur Shaikh Fathers Name: Abdul Kadar House Number : 17/b Age : 43 Gender : Male</p> <p>Photo Available</p>	<p>222</p> <p>ZOV0431445</p> <p>Name : Sahiba Inamdar Mothers Name: Mahamad Shafi Inamdar House Number : 17 C Age : 21 Gender : Female</p> <p>Photo Available</p>
<p>223</p> <p>MX Y0966895</p> <p>Name : Dadapir Shaikh Fathers Name: Khaja Mohidin Shaikh House Number : 17/C Age : 41 Gender : Male</p> <p>Photo Available</p>	<p>224</p> <p>MX Y1322718</p> <p>Name : Gause Shaikh Fathers Name: Khaja Mohidin Shaikh House Number : 17/c Age : 39 Gender : Male</p> <p>Photo Available</p>	<p>225</p> <p>ZOV0342477</p> <p>Name : Mulla Afrin Mujawar Fathers Name: Mulla M. Nazir Muzawar House Number : 18 Age : 26 Gender : Female</p> <p>Photo Available</p>
<p>226</p> <p>ZOV0062059</p> <p>Name : Mulam Mamod Nazir Muzawar Fathers Name: Mulam Xerfodin Muzawar House Number : 18 Age : 69 Gender : Male</p> <p>Photo Available</p>	<p>227</p> <p>ZOV0320408</p> <p>Name : Mulla Usman Muzawar Fathers Name: Mulla Nazir Muzawar House Number : 18 Age : 30 Gender : Male</p> <p>Photo Available</p>	<p>228</p> <p>ZOV0066566</p> <p>Name : Dattaraj Naik Fathers Name: Tukaram Naik House Number : 18 Age : 64 Gender : Male</p> <p>Photo Available</p>
<p>229</p> <p>MX Y1348408</p> <p>Name : Parveen Banu Husbands Name: Mohid Mohamad House Number : 18/1 Age : 41 Gender : Female</p> <p>Photo Available</p>	<p>230</p> <p>ZOV0337410</p> <p>Name : Abdul Mubeen Gijoni Fathers Name: Abdul Aziz Gijoni House Number : 18/1 Age : 56 Gender : Male</p> <p>Photo Available</p>	<p>231</p> <p>ZOV0335711</p> <p>Name : Rashida Begam Gijoni Husbands Name: Abdul Mubeen Gijoni House Number : 18/1 Age : 51 Gender : Female</p> <p>Photo Available</p>
<p>232</p> <p>ZOV0372318</p> <p>Name : Shahnaz Idrishi Fathers Name: Mohid Mohamad Idrishi House Number : 18/1 Age : 24 Gender : Female</p> <p>Photo Available</p>	<p>233</p> <p>ZOV0379412</p> <p>Name : Mohammed Sohail Idrishi Fathers Name: Mohammed Mohid Idrishi House Number : 18/1 Age : 23 Gender : Male</p> <p>Photo Available</p>	<p>234</p> <p>MX Y1348424</p> <p>Name : Mohid Mohamad Fathers Name: Bashir Mohamad House Number : 18/1 Age : 45 Gender : Male</p> <p>Photo Available</p>
<p>S 235</p> <p>ZOV0342683</p> <p>Name : Mahamad Hanif Shaikh Fathers Name: Abdul Pazzak Shaikh House Number : 18/1 Age : 55 Gender : Male</p> <p>Photo Available</p>	<p>S 236</p> <p>ZOV0342691</p> <p>Name : Fatima Bi Shaikh Husbands Name: Mahamad Hanif Shaikh House Number : 18/1 Age : 43 Gender : Female</p> <p>Photo Available</p>	<p>237</p> <p>ZOV0375394</p> <p>Name : Nizamuddin Fathers Name: Ibrahim Sab House Number : 18/A Age : 33 Gender : Male</p> <p>Photo Available</p>
<p>238</p> <p>ZOV0290387</p> <p>Name : Tabassum Nizamuddin Husbands Name: Nizamuddin House Number : 18/A Age : 31 Gender : Female</p> <p>Photo Available</p>	<p>239</p> <p>MX Y9305574</p> <p>Name : Lal Bi Mulla Husbands Name: Nazir Mulla House Number : 18/B Age : 59 Gender : Female</p> <p>Photo Available</p>	<p>240</p> <p>ZOV0335851</p> <p>Name : Khatal Mulla Fathers Name: Basha Mulla House Number : 19/A1 Age : 57 Gender : Male</p> <p>Photo Available</p>

<p>S 241</p> <p>MXY1374461</p> <p>Name : Sayful Islam Piyada Fathers Name: Abdul Subhan Piyada House Number : 20 Age : 36 Gender : Male</p> <p>Photo Available</p>	<p>242</p> <p>ZOV0424713</p> <p>Name : Prashant Naik Fathers Name: Dattatray Naik House Number : 20/B Age : 24 Gender : Male</p> <p>Photo Available</p>	<p>243</p> <p>ROP0216424</p> <p>Name : Sameena Mulla Husbands Name: Mulla Imran Muzawar House Number : 21 Age : 35 Gender : Female</p> <p>Photo Available</p>
<p>244</p> <p>ZOV0417998</p> <p>Name : Sheetal Gull Fathers Name: Basappa Gull House Number : 21/21 Age : 21 Gender : Female</p> <p>Photo Available</p>	<p>245</p> <p>MXY1351576</p> <p>Name : Mahmud Shaikh Fathers Name: Riyasat Shaikh House Number : 21/a Age : 49 Gender : Male</p> <p>Photo Available</p>	<p>246</p> <p>MXY1375120</p> <p>Name : Zeenat Shaikh Husbands Name: Mohamad Rafic Shaikh House Number : 21/a Age : 41 Gender : Female</p> <p>Photo Available</p>
<p>247</p> <p>MXY1356476</p> <p>Name : Mahmud Sharif Lal Momin Fathers Name: Adamsab Lal Momin House Number : 22 Age : 46 Gender : Male</p> <p>Photo Available</p>	<p>248</p> <p>MXY1354125</p> <p>Name : Rafique Lal Momin Fathers Name: Adamsab Lal Momin House Number : 22 Age : 41 Gender : Male</p> <p>Photo Available</p>	<p>249</p> <p>MXY1355486</p> <p>Name : Shafiulla Maniyar Fathers Name: Abdulwahid Maniyar House Number : 22 Age : 33 Gender : Male</p> <p>Photo Available</p>
<p>250</p> <p>ZOV0361345</p> <p>Name : Rasul Bi Nadab Husbands Name: Lalsab Nadab House Number : 23 Age : 68 Gender : Female</p> <p>Photo Available</p>	<p>251</p> <p>ZOV0337204</p> <p>Name : Neja Shaikh Husbands Name: Abdulgani Shaikh House Number : 23 Age : 34 Gender : Female</p> <p>Photo Available</p>	<p># 252</p> <p>ZOV0337212</p> <p>Name : FARZANA LALSA NADAB Fathers Name: Lalsaheb Shaikh House Number : 23 Age : 32 Gender : Female</p> <p>Photo Available</p>
<p># 253</p> <p>ZOV0321836</p> <p>Name : Salim Shaikh Fathers Name: Laalsab Shaikh House Number : 23 Age : 30 Gender : Male</p> <p>Photo Available</p>	<p>E 254</p> <p>ZOV0363010</p> <p>Name : Lalsab Sheikh Fathers Name: Chandrasab Sheikh House Number : 23 Age : 73 Gender : Male</p> <p>Photo Available</p>	<p>255</p> <p>ZOV0436238</p> <p>Name : RESHMA RITTI Husbands Name: RAJBAKSHI RITTI House Number : 24/14 Age : 44 Gender : Female</p> <p>Photo Available</p>
<p>256</p> <p>MXY1376060</p> <p>Name : Alam Muzawar Mulla Fathers Name: Abu Talib Mulla House Number : 25 Age : 37 Gender : Male</p> <p>Photo Available</p>	<p>257</p> <p>ZOV0422543</p> <p>Name : Afra Mulla Fathers Name: Mulam Abu Taleb Muzawar House Number : 25 Age : 22 Gender : Female</p> <p>Photo Available</p>	<p>258</p> <p>MXY7761786</p> <p>Name : Abu Talib Mulla Muzawar Fathers Name: Kashim Mulla Muzawar House Number : 25 Age : 69 Gender : Male</p> <p>Photo Available</p>
<p>259</p> <p>MXY7762404</p> <p>Name : Masura Bi Mulla Muzawar Husbands Name: Abu Talib Mulla Muzawar House Number : 25 Age : 60 Gender : Female</p> <p>Photo Available</p>	<p>260</p> <p>ZOV0274159</p> <p>Name : Ajas Mulla Fathers Name: Ahmad Mulla House Number : 25/1 Age : 50 Gender : Male</p> <p>Photo Available</p>	<p>261</p> <p>MXY1378843</p> <p>Name : Asma Mulla Husbands Name: Ajas Mulla House Number : 25/1 Age : 44 Gender : Female</p> <p>Photo Available</p>
<p>262</p> <p>MXY1376268</p> <p>Name : Shiraj Ahmad Wahid Maniyar Fathers Name: Abdul Wahid Maniar House Number : 26 Age : 41 Gender : Male</p> <p>Photo Available</p>	<p>263</p> <p>ZOV0309070</p> <p>Name : Heena Mulla Muzawar Fathers Name: A.Gaffur Mulla Muzawar House Number : 26 Age : 32 Gender : Female</p> <p>Photo Available</p>	<p>264</p> <p>ZOV0320457</p> <p>Name : Rehan Mulla Muzawar Fathers Name: Gafur Mulla Muzawar House Number : 26 Age : 29 Gender : Male</p> <p>Photo Available</p>
<p>S 265</p> <p>ZOV0203950</p> <p>Name : Alla Khan Pathan Fathers Name: Kader Khan House Number : 26 Age : 67 Gender : Male</p> <p>Photo Available</p>	<p>S 266</p> <p>ZOV0203968</p> <p>Name : Saira Khan Pathan Husbands Name: Alla Khan Pathan House Number : 26 Age : 56 Gender : Female</p> <p>Photo Available</p>	<p>S 267</p> <p>MXY1357920</p> <p>Name : Afzal Khan Pathan Fathers Name: Alla Khan Pathan House Number : 26 Age : 38 Gender : Male</p> <p>Photo Available</p>
<p>268</p> <p>ZOV0436816</p> <p>Name : AAISHA RETHI Fathers Name: RAJABAKSHI RETHI House Number : 26/14 Age : 25 Gender : Female</p> <p>Photo Available</p>	<p>269</p> <p>ZOV0436824</p> <p>Name : NAMIRA RAJBAKSHI RETI Fathers Name: RAJBAKSHI RETI House Number : 26/14 Age : 24 Gender : Female</p> <p>Photo Available</p>	<p>270</p> <p>ZOV0436808</p> <p>Name : SULEMAN RETTI Fathers Name: RAJABAKSHI RETTI House Number : 26/14 Age : 22 Gender : Male</p> <p>Photo Available</p>

<p>271</p> <p>ZOV0436832</p> <p>Name : RAJBAKSHE RITTI Fathers Name: RAJASAB RITTI House Number : 26/14 Age : 51 Gender : Male</p> <p>Photo</p> <p>Available</p>	<p>272</p> <p>ZOV0359760</p> <p>Name : Farazan Sherahi Husbands Name: Abdul Rehman Sherahi House Number : 26/B Age : 47 Gender : Female</p> <p>Photo</p> <p>Available</p>	<p>273</p> <p>MXY1350990</p> <p>Name : Abdul Rehman Shiratti Fathers Name: Diwansab Sherahi House Number : 26/B Age : 54 Gender : Male</p> <p>Photo</p> <p>Available</p>
<p>274</p> <p>ZOV0367268</p> <p>Name : Ruksarbanu Shiratti Fathers Name: Abdul Rehman Shiratti House Number : 26/B Age : 27 Gender : Female</p> <p>Photo</p> <p>Available</p>	<p>275</p> <p>MXY1378074</p> <p>Name : Mohid Ansari Fathers Name: Mahmad Ansari House Number : 26/d Age : 47 Gender : Male</p> <p>Photo</p> <p>Available</p>	<p>276</p> <p>MXY1378124</p> <p>Name : Shahid Ansari Fathers Name: Mahamad Ansari House Number : 26/d Age : 46 Gender : Male</p> <p>Photo</p> <p>Available</p>
<p>E 277</p> <p>MXY1374248</p> <p>Name : Deval Bi Husbands Name: Mohamad Gause House Number : 26/e Age : 79 Gender : Female</p> <p>Photo</p> <p>Available</p>	<p>278</p> <p>MXY1374255</p> <p>Name : Mohiddin Sayed Khaja Fathers Name: Gause Khaja House Number : 26/e Age : 44 Gender : Male</p> <p>Photo</p> <p>Available</p>	<p>279</p> <p>MXY1378512</p> <p>Name : Gausiya Khaja Husbands Name: Mohiddin Khaja House Number : 26/e Age : 39 Gender : Female</p> <p>Photo</p> <p>Available</p>
<p>280</p> <p>ZOV0359810</p> <p>Name : Nasreen Banu Shaikh Fathers Name: Noor Ahamad Shaikh House Number : 27 Age : 34 Gender : Female</p> <p>Photo</p> <p>Available</p>	<p>281</p> <p>ZOV0334540</p> <p>Name : Malik Reyan Shaikh Fathers Name: Noor Ahamad A. Sheikh House Number : 27 Age : 29 Gender : Male</p> <p>Photo</p> <p>Available</p>	<p>282</p> <p>ZOV0363028</p> <p>Name : Prakash Palsamkar Fathers Name: Sitaram Palsamkar House Number : 27(1) Age : 47 Gender : Male</p> <p>Photo</p> <p>Available</p>
<p>283</p> <p>ZOV0274126</p> <p>Name : Zabi Ulla Mutkappa Fathers Name: Ibrahim Mutkappa House Number : 50 Age : 54 Gender : Male</p> <p>Photo</p> <p>Available</p>	<p>284</p> <p>ZOV0347138</p> <p>Name : Shamshad Pankedar Husbands Name: Abdulkarim Pankedar House Number : 61/2/E Age : 51 Gender : Female</p> <p>Photo</p> <p>Available</p>	<p>285</p> <p>ZOV0376285</p> <p>Name : Firdus Banu Farashi Husbands Name: Abdul Wahab Farashi House Number : 94 Age : 35 Gender : Female</p> <p>Photo</p> <p>Available</p>
<p>286</p> <p>ZOV0375113</p> <p>Name : Abdul Wahab Farashi Fathers Name: Ailavuddinsab Farashi House Number : 94 Age : 34 Gender : Male</p> <p>Photo</p> <p>Available</p>	<p>287</p> <p>ZOV0376780</p> <p>Name : Seema Banu Hattimattur Husbands Name: Samiulla House Number : 216 Age : 28 Gender : Female</p> <p>Photo</p> <p>Available</p>	<p>S 288</p> <p>ZOV0261750</p> <p>Name : Afroz Pathan Fathers Name: Alla Khan Pathan House Number : 40 Age : 33 Gender : Female</p> <p>Photo</p> <p>Available</p>
<p>289</p> <p>ZOV0431452</p> <p>Name : Mulla Noor-Ud-Din Muzawar Fathers Name: Mulam Ali Riza Muzavor House Number : C-3 Age : 43 Gender : Male</p> <p>Photo</p> <p>Available</p>	<p>290</p> <p>ZOV0292854</p> <p>Name : Ramakrishnan Fathers Name: Kunjappy Raman Achary House Number : C-10-18 Age : 71 Gender : Male</p> <p>Photo</p> <p>Available</p>	<p>291</p> <p>ZOV0292847</p> <p>Name : Leela Husbands Name: Kesaven K House Number : C-10-18(2) Age : 65 Gender : Female</p> <p>Photo</p> <p>Available</p>
<p>292</p> <p>ZOV0438804</p> <p>Name : Shafiulla Zabiulla Mutkappa Fathers Name: Zabiulla Mutkappa House Number : E-194 Age : 21 Gender : Male</p> <p>Photo</p> <p>Available</p>	<p>293</p> <p>ZOV0284356</p> <p>Name : Khatiza Bi Mulla Husbands Name: Daud Bi Mulla House Number : F-1 Age : 64 Gender : Female</p> <p>Photo</p> <p>Available</p>	<p>294</p> <p>MXY1351030</p> <p>Name : Daud Muzawar Mulla Fathers Name: Suleman Mulla House Number : F-1 Age : 74 Gender : Male</p> <p>Photo</p> <p>Available</p>
<p>295</p> <p>MXY1351022</p> <p>Name : Sana Mulla Fathers Name: Daud Mulla House Number : F-1 Age : 38 Gender : Female</p> <p>Photo</p> <p>Available</p>	<p>296</p> <p>ZOV0361402</p> <p>Name : Mohammad Sohail Mulla Muzawar Fathers Name: Daud Muzawar Mulla House Number : F-1 Age : 25 Gender : Male</p> <p>Photo</p> <p>Available</p>	<p>297</p> <p>ZOV0284364</p> <p>Name : Ashfaq Sayed Fathers Name: Tafi Sayed House Number : F-1 Age : 43 Gender : Male</p> <p>Photo</p> <p>Available</p>
<p>298</p> <p>MXY1361914</p> <p>Name : Abrar Sayed Fathers Name: Tafi Sayed House Number : F-1 Age : 38 Gender : Male</p> <p>Photo</p> <p>Available</p>	<p>299</p> <p>ZOV0237883</p> <p>Name : Aisha Shaikh Husbands Name: Riyaz Shaikh House Number : F-1 Age : 38 Gender : Female</p> <p>Photo</p> <p>Available</p>	<p>300</p> <p>ZOV0284448</p> <p>Name : Sayed Tafi Fathers Name: Sattar Tafi House Number : F-1 Age : 64 Gender : Male</p> <p>Photo</p> <p>Available</p>

<p>301</p> <p>MXV6825954</p> <p>Name : Kulsumbi Tafiq Husbands Name: Sayed Tafiq House Number : F-1 Age : 62 Gender : Female</p> <p>Photo Available</p>	<p>S 302</p> <p>ZOV0366393</p> <p>Name : Nirbhay Singh Fathers Name: Gauri Shankar Singh House Number : F-3 Age : 33 Gender : Male</p> <p>Photo Available</p>	<p>S 303</p> <p>ZOV0366377</p> <p>Name : Nisha Singh Fathers Name: Madan Lal Singh House Number : F-3 Age : 28 Gender : Female</p> <p>Photo Available</p>
<p>304</p> <p>ZOV0445288</p> <p>Name : AFTAB ABDULLA BEIG Mothers Name: SHAMINA BEIG BEIG House Number : FLAT NO. S/4. Age : 22 Gender : Male</p> <p>Photo Available</p>	<p>S 305</p> <p>ZOV0362988</p> <p>Name : Dilip Kumar Tiwari Fathers Name: Balraj Tiwari House Number : Flat No-4 Age : 42 Gender : Male</p> <p>Photo Available</p>	<p>306</p> <p>ZOV0445320</p> <p>Name : ASHAZ ILYAS AHMED SHAIKH Fathers Name: ILYAS AHMED SHAIKH House Number : H. No4 Age : 18 Gender : Male</p> <p>Photo Available</p>
<p>307</p> <p>MXV1359066</p> <p>Name : Anissa Bi Sheikh Husbands Name: Eliyaz Sheikh House Number : H no.04 Age : 43 Gender : Female</p> <p>Photo Available</p>	<p># 308</p> <p>MXV1361385</p> <p>Name : ILYAS SHAIKH Fathers Name: Ahamad Shekh House Number : H.no 04 Age : 47 Gender : Male</p> <p>Photo Available</p>	<p>309</p> <p>ZOV0431429</p> <p>Name : Ismail Jabiulla Hangi Others : Farida Hangi House Number : House No 26 Age : 39 Gender : Male</p> <p>Photo Available</p>
<p>310</p> <p>ZOV0445189</p> <p>Name : NASEEM AHMED ANSARI Fathers Name: ABDUL HAMID ANSARI House Number : H. No. 27(2) Age : 39 Gender : Male</p> <p>Photo Available</p>	<p>311</p> <p>ZOV0385369</p> <p>Name : Zayda Rajput Husbands Name: Shahzad Rajput House Number : H.No.37/1 Age : 42 Gender : Female</p> <p>Photo Available</p>	<p>312</p> <p>ZOV0423137</p> <p>Name : Zafar Mohammad Gaus Shaikh Fathers Name: Mohammad Gaus Shaikh House Number : Hno.11/13 Age : 23 Gender : Male</p> <p>Photo Available</p>
<p>313</p> <p>ZOV0426288</p> <p>Name : Shireenbanu Javid Bepari Husbands Name: Javid Bepari House Number : S-1 Age : 23 Gender : Female</p> <p>Photo Available</p>	<p>314</p> <p>ZOV0274167</p> <p>Name : Nazia Mulla Husbands Name: Gaffur Mulla House Number : S-2 Age : 67 Gender : Female</p> <p>Photo Available</p>	<p>315</p> <p>ZOV0297572</p> <p>Name : Shehmeen Beig Husbands Name: Abdulla Beig House Number : S-4 Age : 47 Gender : Female</p> <p>Photo Available</p>
<p>316</p> <p>ZOV0320382</p> <p>Name : Tousifraza Abdul Rehman Shiratti Fathers Name: Abdul Rahiman Shiratti House Number : S-4 Age : 29 Gender : Male</p> <p>Photo Available</p>		

<p>317</p> <p>ZOV0237891</p> <p>Name : Abdul Khadar Bendigiri Fathers Name: Abdul Munner Bendigiri House Number : - Age : 35 Gender : Male</p> <p>Photo Available</p>	<p>318</p> <p>ZOV0237909</p> <p>Name : Mohammad Hhazrat Shaikh Fathers Name: Shaukat Ali Shaikh House Number : 1 Age : 35 Gender : Male</p> <p>Photo Available</p>	<p>319</p> <p>MXY7743867</p> <p>Name : Gajanan Vishnu Naik Fathers Name: Vishnu Naik House Number : 1/A Age : 77 Gender : Male</p> <p>Photo Available</p>
<p>320</p> <p>MXY7767049</p> <p>Name : Saroj Suraj Naik Husbands Name: Suraj Naik House Number : 1/A Age : 49 Gender : Female</p> <p>Photo Available</p>	<p>321</p> <p>ZOV0399410</p> <p>Name : Suraj Gajanan Naik Fathers Name: Gajanan Naik House Number : 1/a Age : 49 Gender : Male</p> <p>Photo Available</p>	<p>322</p> <p>ZOV0367714</p> <p>Name : NIKIL NAIK Fathers Name: Narayan Naik House Number : 02 Age : 27 Gender : Male</p> <p>Photo Available</p>
<p>323</p> <p>ZOV0197319</p> <p>Name : Babu Chari Fathers Name: Vidhyadhar Chari House Number : 2 Age : 49 Gender : Male</p> <p>Photo Available</p>	<p>324</p> <p>MXY1356807</p> <p>Name : Priya Chari Husbands Name: Babu Chari House Number : 2 Age : 39 Gender : Female</p> <p>Photo Available</p>	<p>325</p> <p>ZOV0431486</p> <p>Name : Priyanshu Chari Fathers Name: Babu Chari House Number : 2 Age : 20 Gender : Male</p> <p>Photo Available</p>
<p>326</p> <p>ZOV0320465</p> <p>Name : Sunita Hangirgekar Fathers Name: Yellappa Hangirgekar House Number : 2 Age : 30 Gender : Female</p> <p>Photo Available</p>	<p>327</p> <p>MXY7744170</p> <p>Name : Narayan Bhagwant Naik Fathers Name: Bhagawant Naik House Number : 2 Age : 61 Gender : Male</p> <p>Photo Available</p>	<p>328</p> <p>MXY7744188</p> <p>Name : Neha Narayan Naik Husbands Name: Narayan Naik House Number : 2 Age : 55 Gender : Female</p> <p>Photo Available</p>
<p>329</p> <p>ZOV0320341</p> <p>Name : Nikita Naik Fathers Name: Narayan Naik House Number : 2 Age : 29 Gender : Female</p> <p>Photo Available</p>	<p>S 330</p> <p>MXY0967364</p> <p>Name : Shaukat Ali Shaikh Fathers Name: Gaus Ali Shaikh House Number : 2 Age : 61 Gender : Male</p> <p>DELETED</p> <p>Photo Available</p>	<p>331</p> <p>ZOV0422568</p> <p>Name : Tasina Kerodi Fathers Name: Abdul Munaf Kerodi House Number : 2/B Age : 22 Gender : Female</p> <p>Photo Available</p>
<p>332</p> <p>ZOV0151514</p> <p>Name : Manik Naik Husbands Name: Savio Naik House Number : 3 Age : 63 Gender : Female</p> <p>Photo Available</p>	<p>333</p> <p>MXY1369081</p> <p>Name : Narayan Naik Fathers Name: Savio Naik House Number : 3 Age : 41 Gender : Male</p> <p>Photo Available</p>	<p>334</p> <p>ZOV0287714</p> <p>Name : Laksha Naik Fathers Name: Dhaku Naik House Number : 3 Age : 31 Gender : Male</p> <p>Photo Available</p>
<p>335</p> <p>MXY7754344</p> <p>Name : Demu Naik Fathers Name: Ladu Naik House Number : 3/A Age : 60 Gender : Male</p> <p>Photo Available</p>	<p>336</p> <p>MXY7753353</p> <p>Name : Suchita Naik Husbands Name: Demu Naik House Number : 3/A Age : 50 Gender : Female</p> <p>Photo Available</p>	<p>337</p> <p>ZOV0320358</p> <p>Name : Nutan Naik Fathers Name: Demu Naik House Number : 3/A Age : 30 Gender : Female</p> <p>Photo Available</p>
<p>338</p> <p>ZOV0356279</p> <p>Name : Sairaj Naik Fathers Name: Demu Naik House Number : 3/A Age : 26 Gender : Male</p> <p>Photo Available</p>	<p>339</p> <p>MXY7753379</p> <p>Name : Dhaku Ladu Naik Fathers Name: Ladu Naik House Number : 3/B Age : 56 Gender : Male</p> <p>Photo Available</p>	<p>340</p> <p>MXY7753361</p> <p>Name : Rupa Dhaku Naik Husbands Name: Dhaku Naik House Number : 3/B Age : 53 Gender : Female</p> <p>Photo Available</p>
<p>341</p> <p>ZOV0320432</p> <p>Name : Shiddesh Naik Fathers Name: Dhaku Naik House Number : 3 C Age : 29 Gender : Male</p> <p>Photo Available</p>	<p>342</p> <p>ZOV0372086</p> <p>Name : Shakeela Mutkappa Husbands Name: Zabi Ulla Mutkappa House Number : 3/G Age : 83 Gender : Female</p> <p>Photo Available</p>	<p>E 343</p> <p>ZOV0069153</p> <p>Name : Remediana Brigida Dias Husbands Name: Remedios Joaquim Dias House Number : 4 Age : 75 Gender : Female</p> <p>DELETED</p> <p>Photo Available</p>
<p>E 344</p> <p>MXY0967406</p> <p>Name : Edwina Dias Husbands Name: Hriano Dias House Number : 5 Age : 62 Gender : Female</p> <p>DELETED</p> <p>Photo Available</p>	<p>345</p> <p>ZOV0290437</p> <p>Name : Sarfaraj Sayyed Fathers Name: Ahmed Sayyed House Number : 5 Age : 33 Gender : Male</p> <p>Photo Available</p>	<p>346</p> <p>ZOV0290429</p> <p>Name : Rafatek Sayyed Fathers Name: Ahmed Sayyed House Number : 5 Age : 32 Gender : Male</p> <p>Photo Available</p>

<p>347</p> <p>ZOV0237925</p> <p>Name : Mudassar Khan Gauri Fathers Name: Mustafa Khan Gauri House Number : 6 Age : 34 Gender : Male</p> <p>Photo</p> <p>Available</p>	<p>348</p> <p>ZOV0237941</p> <p>Name : Sarfaraj Khan Gauri Fathers Name: Mustafa Khan Gauri House Number : 6 Age : 34 Gender : Male</p> <p>Photo</p> <p>Available</p>	<p>349</p> <p>ZOV0254847</p> <p>Name : Mustafa Khan Fathers Name: Abdul Khan House Number : 6 Age : 67 Gender : Male</p> <p>Photo</p> <p>Available</p>
<p>350</p> <p>ZOV0248286</p> <p>Name : Nusrat Khan Husbands Name: Mustafa Khan House Number : 6 Age : 63 Gender : Female</p> <p>Photo</p> <p>Available</p>	<p>351</p> <p>MXY1386929</p> <p>Name : Asadullah Khan Fathers Name: Abdul Rauf Khan House Number : 6 Age : 53 Gender : Male</p> <p>Photo</p> <p>Available</p>	<p>352</p> <p>MXY1377530</p> <p>Name : Farhad Khan Husbands Name: Asadullah Khan House Number : 6 Age : 48 Gender : Female</p> <p>Photo</p> <p>Available</p>
<p>353</p> <p>ZOV0256784</p> <p>Name : Zuber Khan Fathers Name: Mustafa Khan House Number : 6 Age : 43 Gender : Male</p> <p>Photo</p> <p>Available</p>	<p>354</p> <p>MXY0967331</p> <p>Name : Umehani Khan Fathers Name: Mustafa Khan House Number : 6 Age : 41 Gender : Female</p> <p>Photo</p> <p>Available</p>	<p>355</p> <p>ZOV0237933</p> <p>Name : Zafar Khan Fathers Name: Mustafa Khan House Number : 6 Age : 37 Gender : Male</p> <p>Photo</p> <p>Available</p>
<p>356</p> <p>ZOV0427179</p> <p>Name : Sumaiyah Bi Khan Gauri Fathers Name: Asadullah Rauf Khan Gauri House Number : 6 Age : 23 Gender : Female</p> <p>Photo</p> <p>Available</p>	<p>357</p> <p>ZOV0309104</p> <p>Name : Farida Kibariya Husbands Name: Md Hasanuddin Saber Kibariya House Number : 6 Age : 60 Gender : Female</p> <p>Photo</p> <p>Available</p>	<p>358</p> <p>ZOV0309120</p> <p>Name : Atam Kibariya Fathers Name: Md Hasanuddin Saber Kibariya House Number : 6 Age : 31 Gender : Male</p> <p>Photo</p> <p>Available</p>
<p>359</p> <p>ZOV0309112</p> <p>Name : Nazam Kibariya Fathers Name: Md Hasanuddin Saber Kibariya House Number : 6 Age : 30 Gender : Male</p> <p>Photo</p> <p>Available</p>	<p>360</p> <p>ZOV0334615</p> <p>Name : Karishma Shaikh Fathers Name: Shaukatali Shaikh House Number : 06/1 Age : 31 Gender : Female</p> <p>Photo</p> <p>Available</p>	<p>361</p> <p>ZOV0335554</p> <p>Name : Ashma Shaikh Fathers Name: Shaukat Ali Shaikh House Number : 06/1 Age : 30 Gender : Female</p> <p>Photo</p> <p>Available</p>
<p>362</p> <p>ZOV0335662</p> <p>Name : Nagma Shaikh Fathers Name: Shaukat Ali Shaikh House Number : 06/1 Age : 29 Gender : Female</p> <p>Photo</p> <p>Available</p>	<p>363</p> <p>ZOV0431312</p> <p>Name : Atifa Bi Khan Fathers Name: Asadullah Khan House Number : 6 nagzar curt Age : 20 Gender : Female</p> <p>Photo</p> <p>Available</p>	<p>364</p> <p>ZOV0284307</p> <p>Name : Nandibi Mirabai Husbands Name: Aminsab Mirabai House Number : 7 Age : 89 Gender : Female</p> <p>Photo</p> <p>Available</p>
<p>365</p> <p>ZOV0198192</p> <p>Name : Shaukat Shaikh Fathers Name: Aziz Shaikh House Number : 7 Age : 49 Gender : Male</p> <p>Photo</p> <p>Available</p>	<p>366</p> <p>MXY1356351</p> <p>Name : Basavraj Gudrunte Fathers Name: Siddaram Gudrunte House Number : 7/a Age : 57 Gender : Male</p> <p>Photo</p> <p>Available</p>	<p>367</p> <p>MXY1354612</p> <p>Name : Bashar Ahmad Ganatmani Fathers Name: Khansab Ganatmani House Number : 7/b Age : 46 Gender : Male</p> <p>Photo</p> <p>Available</p>
<p>368</p> <p>ZOV0372391</p> <p>Name : Irfan Ali Devalatti Fathers Name: Mohammad Hasham Devalatti House Number : 08 Age : 24 Gender : Male</p> <p>Photo</p> <p>Available</p>	<p>S 369</p> <p>ZOV0201053</p> <p>Name : Zarina Bi Daulati Husbands Name: Mohammad Hasham Daulati House Number : 8 Age : 57 Gender : Female</p> <p>Photo</p> <p>Available</p>	<p>S 370</p> <p>ZOV0201145</p> <p>Name : Mohmmad Ali Daulati Fathers Name: Mohammad Hasham Daulati House Number : 8 Age : 36 Gender : Male</p> <p>Photo</p> <p>Available</p>
<p>371</p> <p>ZOV0297580</p> <p>Name : Bibi Batul Daulati Fathers Name: Hasam Daulati House Number : 8 Age : 34 Gender : Female</p> <p>Photo</p> <p>Available</p>	<p>372</p> <p>ZOV0319483</p> <p>Name : Salama Daulati Fathers Name: Muhmad Hasham Daulati House Number : 8 Age : 29 Gender : Female</p> <p>Photo</p> <p>Available</p>	<p>373</p> <p>MXY7744006</p> <p>Name : Somnath Naik Fathers Name: Krishna Naik House Number : 8 Age : 51 Gender : Male</p> <p>Photo</p> <p>Available</p>
<p>374</p> <p>ZOV0443192</p> <p>Name : Bejrangi Kumar Singh Fathers Name: Awadh narayan Singh House Number : 8/3 Age : 29 Gender : Male</p> <p>Photo</p> <p>Available</p>	<p>375</p> <p>MXY6820419</p> <p>Name : Chanappa Maigeri Fathers Name: Shivsangappa Maigeri House Number : 8/3/d Age : 64 Gender : Male</p> <p>Photo</p> <p>Available</p>	<p>376</p> <p>ZOV0199455</p> <p>Name : Lalita Ningoji Husbands Name: Vassu Ningoji House Number : 8/3/D Age : 54 Gender : Female</p> <p>Photo</p> <p>Available</p>

<p>377</p> <p>ZOV0199497</p> <p>Name : Vassu Ningoji Fathers Name: Krishnappa Ningoji House Number : 8/3/D Age : 54 Gender : Male</p> <p>Photo Available</p>	<p>378</p> <p>MXY1352244</p> <p>Name : Renuka Godmani Husbands Name: Chandru Godmani House Number : 9 Age : 54 Gender : Female</p> <p>Photo Available</p>	<p>379</p> <p>MXY1350263</p> <p>Name : Shrikant Godmani Fathers Name: Chandru Godmani House Number : 9 Age : 38 Gender : Male</p> <p>Photo Available</p>
<p>380</p> <p>MXY7752496</p> <p>Name : Raziabi Shaikh Husbands Name: Hasan Shaikh House Number : 9 Age : 62 Gender : Female</p> <p>Photo Available</p>	<p>381</p> <p>MXY7752538</p> <p>Name : Faimida Shaikh Fathers Name: Hassan Shaikh House Number : 9 Age : 47 Gender : Female</p> <p>Photo Available</p>	<p>382</p> <p>MXY1377324</p> <p>Name : Feroza Bi Shaikh Fathers Name: Hassan Shaikh House Number : 9 Age : 42 Gender : Female</p> <p>Photo Available</p>
<p>383</p> <p>MXY1377217</p> <p>Name : Hussain Shaikh Fathers Name: Hassan Shaikh House Number : 9 Age : 40 Gender : Male</p> <p>Photo Available</p>	<p>384</p> <p>MXY1377340</p> <p>Name : Jamir Shaikh Fathers Name: Hassan Shaikh House Number : 9 Age : 38 Gender : Male</p> <p>Photo Available</p>	<p>385</p> <p>ZOV0337238</p> <p>Name : Masira Shaikh Husbands Name: Hussain Shaikh House Number : 9 Age : 34 Gender : Female</p> <p>Photo Available</p>
<p>386</p> <p>ZOV0331843</p> <p>Name : Rubina Shaikh Husbands Name: Jamir Shaikh House Number : 9 Age : 34 Gender : Female</p> <p>Photo Available</p>	<p>387</p> <p>ZOV0203133</p> <p>Name : Fatima Pathan Husbands Name: Abdul Sattar Pathan House Number : 10 Age : 65 Gender : Female</p> <p>Photo Available</p>	<p>388</p> <p>MXY1323906</p> <p>Name : Arifabi Sakali Husbands Name: Noor Mohamad Sakali House Number : 10 Age : 47 Gender : Female</p> <p>Photo Available</p>
<p>389</p> <p>MXY1321744</p> <p>Name : Noor Ahmad Sakli Fathers Name: Mohamad Sakli House Number : 10 Age : 51 Gender : Male</p> <p>Photo Available</p>	<p>390</p> <p>ZOV0423905</p> <p>Name : Rehmat Bi Mahammad Danif Khatib Husbands Name: Mahammad Danif Khatib House Number : 10/A Age : 33 Gender : Female</p> <p>Photo Available</p>	<p>391</p> <p>ZOV0202259</p> <p>Name : Hassan Khatib Fathers Name: Tajuddin Khatib House Number : 10/a Age : 52 Gender : Male</p> <p>Photo Available</p>
<p>392</p> <p>MXY0967869</p> <p>Name : Rihana Khatib Husbands Name: Hassan Khatib House Number : 10/A Age : 48 Gender : Female</p> <p>Photo Available</p>	<p>393</p> <p>MXY1357177</p> <p>Name : MAHBOOB SUBANI KHATIB Fathers Name: Tajuddin Khatib House Number : 10/a Age : 43 Gender : Male</p> <p>Photo Available</p>	<p>394</p> <p>MXY0966317</p> <p>Name : Shanazbi Khatib Fathers Name: Tajuddin Khatib House Number : 10/A Age : 42 Gender : Female</p> <p>Photo Available</p>
<p>395</p> <p>MXY9308461</p> <p>Name : Sarfaraz Khatib Fathers Name: Tajuddin Khatib House Number : 10/a Age : 39 Gender : Male</p> <p>Photo Available</p>	<p>396</p> <p>MXY9308487</p> <p>Name : Mahammad Danif Khatib Fathers Name: Tajuddin Khatib House Number : 10/A Age : 37 Gender : Male</p> <p>Photo Available</p>	<p>397</p> <p>ZOV0323055</p> <p>Name : Samira Khatib Husbands Name: Mehboob .S Khatib House Number : 10/A Age : 33 Gender : Female</p> <p>Photo Available</p>
<p>398</p> <p>ZOV0414979</p> <p>Name : Rehan Khatib Fathers Name: Asham Khatib House Number : 10/A Age : 22 Gender : Male</p> <p>Photo Available</p>	<p>399</p> <p>MXY9308495</p> <p>Name : Suleman Khatib Shaikh Fathers Name: Tajuddin Khatib Shaikh House Number : 10/a Age : 41 Gender : Male</p> <p>Photo Available</p>	<p>400</p> <p>ZOV0431379</p> <p>Name : Shabina Sarfaraz Khatib Husbands Name: Sarfaraz Tajuddin Khatib House Number : 10/A Age : 29 Gender : Female</p> <p>Photo Available</p>
<p>401</p> <p>ZOV0356444</p> <p>Name : Sana Shaikh Husbands Name: Suleman Shaikh House Number : 10/A Age : 27 Gender : Female</p> <p>Photo Available</p>	<p>402</p> <p>ZOV0238469</p> <p>Name : Jahidkhan Pathan Fathers Name: Ahamad Pathan House Number : 10/C Age : 35 Gender : Male</p> <p>Photo Available</p>	<p>403</p> <p>ZOV0399287</p> <p>Name : Rasulsab Loni Fathers Name: Miraba Loni House Number : 11 Age : 71 Gender : Male</p> <p>Photo Available</p>
<p>404</p> <p>ZOV0399279</p> <p>Name : Jazthumbi Loni Husbands Name: Rasulsab Loni House Number : 11 Age : 58 Gender : Female</p> <p>Photo Available</p>	<p>405</p> <p>MXY8874083</p> <p>Name : Khujabir Loni Fathers Name: Rasulsab Loni House Number : 11 Age : 46 Gender : Male</p> <p>Photo Available</p>	<p>406</p> <p>MXY1349174</p> <p>Name : Fatimabi Loni Husbands Name: Khujapir Loni House Number : 11 Age : 41 Gender : Female</p> <p>Photo Available</p>

<p>407</p> <p>ZOV0331892</p> <p>Name : Halima Loni Fathers Name: Rasulsab Loni House Number : 11 Age : 27 Gender : Female</p> <p>Photo</p> <p>Available</p>	<p>408</p> <p>ZOV0426163</p> <p>Name : Sajiya Rasulsab Loni Fathers Name: Rasulsab Loni House Number : 11 Age : 22 Gender : Female</p> <p>Photo</p> <p>Available</p>	<p>409</p> <p>MXY1349331</p> <p>Name : Dilavar Sayyad Fathers Name: Badshah Sayyad House Number : 11 Age : 49 Gender : Male</p> <p>Photo</p> <p>Available</p>
<p>410</p> <p>MXY1360122</p> <p>Name : Bibijan Sayyad Husbands Name: Dilavar Sayyad House Number : 11 Age : 44 Gender : Female</p> <p>Photo</p> <p>Available</p>	<p>411</p> <p>MXY1359793</p> <p>Name : Rehman Tahasildar Fathers Name: Hussainsab Tahasildar House Number : 11 Age : 52 Gender : Male</p> <p>Photo</p> <p>Available</p>	<p>412</p> <p>MXY1356617</p> <p>Name : Daulbi Tahasildar Husbands Name: Rehman Tahasildar House Number : 11 Age : 43 Gender : Female</p> <p>Photo</p> <p>Available</p>
<p>413</p> <p>ZOV0313684</p> <p>Name : Mahesh Kaimpwad Fathers Name: Narayan Kaimpwad House Number : 11/1 Age : 30 Gender : Male</p> <p>Photo</p> <p>Available</p>	<p>414</p> <p>ZOV0330068</p> <p>Name : Uma Kaimpwad Fathers Name: Narayan Kaimpwad House Number : 11/1 Age : 28 Gender : Female</p> <p>Photo</p> <p>Available</p>	<p>415</p> <p>MXY0968149</p> <p>Name : Narayan Kampad Fathers Name: Girayappa Kampad House Number : 11/1 Age : 54 Gender : Male</p> <p>Photo</p> <p>Available</p>
<p>416</p> <p>ZOV0204289</p> <p>Name : Laxmi Kampad Husbands Name: Narayan Kampad House Number : 11/1 Age : 47 Gender : Female</p> <p>Photo</p> <p>Available</p>	<p>417</p> <p>ZOV0352013</p> <p>Name : Nilesh Kampwad Fathers Name: Narayan Kampwad House Number : 11/1 Age : 26 Gender : Male</p> <p>Photo</p> <p>Available</p>	<p>418</p> <p>ZOV0248294</p> <p>Name : Yellappa Gojekar Fathers Name: Shanta Gojekar House Number : 11/2 Age : 49 Gender : Male</p> <p>Photo</p> <p>Available</p>
<p>419</p> <p>MXY0966135</p> <p>Name : Sanjay Gojekar Fathers Name: Rama Gojekar House Number : 11/2 Age : 38 Gender : Male</p> <p>Photo</p> <p>Available</p>	<p>420</p> <p>ZOV0237966</p> <p>Name : Shilpa Gojekar Husbands Name: Yellappa Gojekar House Number : 11/2 Age : 35 Gender : Female</p> <p>Photo</p> <p>Available</p>	<p>421</p> <p>ZOV0426205</p> <p>Name : Sanjana Gojekar Husbands Name: Sanjay Gojekar House Number : 11/2 Age : 34 Gender : Female</p> <p>Photo</p> <p>Available</p>
<p>422</p> <p>MXY7765837</p> <p>Name : Arjun Pakhare Fathers Name: Hanumant Pakhare House Number : 11/3 Age : 61 Gender : Male</p> <p>Photo</p> <p>Available</p>	<p>423</p> <p>MXY0945071</p> <p>Name : Sudha Pakhare Husbands Name: Arjun Pakhare House Number : 11/3 Age : 54 Gender : Female</p> <p>Photo</p> <p>Available</p>	<p>424</p> <p>MXY1325133</p> <p>Name : Santosh Pakhare Fathers Name: Arjun Pakhare House Number : 11/3 Age : 37 Gender : Male</p> <p>Photo</p> <p>Available</p>
<p>425</p> <p>ZOV0237974</p> <p>Name : Surekha Pakhare Fathers Name: Arjun Pakhare House Number : 11/3 Age : 33 Gender : Female</p> <p>Photo</p> <p>Available</p>	<p>426</p> <p>ZOV0321885</p> <p>Name : Sagar Pakhare Fathers Name: Arjun Pakhare House Number : 11/3 Age : 29 Gender : Male</p> <p>Photo</p> <p>Available</p>	<p>427</p> <p>MXY0968024</p> <p>Name : Munir Mulla Fathers Name: Babasaheb Mulla House Number : 11/4 Age : 64 Gender : Male</p> <p>Photo</p> <p>Available</p>
<p>428</p> <p>MXY0966820</p> <p>Name : Riyana Mulla Husbands Name: Munir Mulla House Number : 11/4 Age : 54 Gender : Female</p> <p>Photo</p> <p>Available</p>	<p># 429</p> <p>MXY1354489</p> <p>Name : Irfan Mulla Fathers Name: Munir Mulla House Number : 11/4 Age : 38 Gender : Male</p> <p>Photo</p> <p>Available</p>	<p>430</p> <p>MXY1355536</p> <p>Name : Farzana Mulla Fathers Name: Munir Mulla House Number : 11/4 Age : 37 Gender : Female</p> <p>Photo</p> <p>Available</p>
<p>431</p> <p>MXY1358555</p> <p>Name : Yallava Hosamani Husbands Name: Mallappa Hosamani House Number : 11/5 Age : 59 Gender : Female</p> <p>Photo</p> <p>Available</p>	<p>E 432</p> <p>MXY1359306</p> <p>Name : Basuraj Hosamani Fathers Name: Mallappa Hosamani House Number : 11/5 Age : 40 Gender : Male</p> <p>Photo</p> <p>Available</p>	<p>433</p> <p>ZOV0197756</p> <p>Name : Yeshwant Hosamani Fathers Name: Mallappa Hosamani House Number : 11/5 Age : 38 Gender : Male</p> <p>Photo</p> <p>Available</p>
<p>434</p> <p>MXY1353333</p> <p>Name : Ravi Naik Fathers Name: Yamunappa Naik House Number : 11/6 Age : 40 Gender : Male</p> <p>Photo</p> <p>Available</p>	<p>435</p> <p>ZOV0284323</p> <p>Name : Parvez Sayyad Fathers Name: NA Sayyad House Number : 11/6 Age : 52 Gender : Male</p> <p>Photo</p> <p>Available</p>	<p>436</p> <p>ZOV0284398</p> <p>Name : Hasina Sayyad Fathers Name: Parvez Sayyad House Number : 11/6 Age : 44 Gender : Female</p> <p>Photo</p> <p>Available</p>

437	ZOV0366385	Name : Nisha Desai Husbands Name: Vinod Desai House Number : 11/7 Age : 37 Gender : Female	Photo Available	438	ZOV0379438	Name : MUSKAN SHAIKH Fathers Name: SHAUKAT SHAIKH House Number : 11/7 Age : 23 Gender : Female	Photo Available	439	ZOV0417956	Name : Muzna Shaikh Fathers Name: Shaukat Shaikh House Number : 11/7 Age : 21 Gender : Female	Photo Available
440	ZOV0321893	Name : Sabir Shaikh Fathers Name: Nazir Shaikh House Number : 11/8 Age : 55 Gender : Male	Photo Available	441	ZOV0334516	Name : Sanam Shaikh Fathers Name: Shabir Shaikh House Number : 11/8 Age : 27 Gender : Female	Photo Available	442	MXY7742893	Name : Sharmila Shaikh Husbands Name: Shaukat Shaikh House Number : 11/07 Age : 45 Gender : Female	Photo Available
443	ZOV0334532	Name : Sarfaraj Alarwad Mujavar Fathers Name: Dastagir Alarwad Mujavar House Number : 11/10 Age : 28 Gender : Male	Photo Available	444	MXY0967208	Name : Rajinabi Mulla Husbands Name: Maheboobsab Mulla House Number : 11/10 Age : 74 Gender : Female	Photo Available	445	MXY0967216	Name : Parvin Banu Mulla Husbands Name: Dasgirsab Mulla House Number : 11/10 Age : 50 Gender : Female	Photo Available
446	ZOV0352047	Name : Rafiq Ovadavada Fathers Name: Dastgirsab Ovadavada House Number : 11/10 Age : 26 Gender : Male	Photo Available	447	ZOV0375956	Name : Afrin Bidikar Husbands Name: Sajan Bidikar House Number : 11/11 Age : 24 Gender : Female	Photo Available	448	MXY1379296	Name : Girmal Patil Fathers Name: Yalappa Patil House Number : 11/11 Age : 74 Gender : Male	Photo Available
449	MXY1379262	Name : Sonabai Patil Husbands Name: Girmal Patil House Number : 11/11 Age : 64 Gender : Female	Photo Available	450	MXY9309022	Name : Chinnappa Patil Fathers Name: Sheeliappa Patil House Number : 11/11 Age : 55 Gender : Female	Photo Available	451	MXY9309030	Name : Kamlavva Patil Husbands Name: Chinnappa Patil House Number : 11/11 Age : 53 Gender : Female	Photo Available
452	MXY1080100	Name : Surekha Patil Husbands Name: Hanumant Patil House Number : 11/11 Age : 42 Gender : Female	Photo Available	453	ZOV0349134	Name : Parshuram Patil Fathers Name: Chinappa Patil House Number : 11/11 Age : 28 Gender : Male	Photo Available	E 454	MXY0945402	Name : Mohamad Ali Herekar Fathers Name: Budgesab Herekar House Number : 11/13 Age : 75 Gender : Male	Photo Available
455	MXY7744162	Name : Khatijabi Herekar Husbands Name: Mohamadali Herekar House Number : 11/13 Age : 67 Gender : Female	Photo Available	456	MXY1322130	Name : Mohamad Hanif Herekar Fathers Name: Mohamad Ali Herekar House Number : 11/13 Age : 47 Gender : Male	Photo Available	457	MXY0945386	Name : Mujahid Herekar Fathers Name: Mohamad Ali Herekar House Number : 11/13 Age : 45 Gender : Male	Photo Available
458	MXY0945345	Name : Bashir Herekar Fathers Name: Mohamad Ali Herekar House Number : 11/13 Age : 43 Gender : Male	Photo Available	459	MXY1322148	Name : Ashma Herekar Husbands Name: Mohamad Herekar House Number : 11/13 Age : 40 Gender : Female	Photo Available	460	MXY1322155	Name : Shamshad Herekar Husbands Name: Mujahid Herekar House Number : 11/13 Age : 39 Gender : Female	Photo Available
461	MXY7752843	Name : Mohamad Shaikh Fathers Name: Babalal Shaikh House Number : 11/13 Age : 57 Gender : Male	Photo Available	462	MXY0945410	Name : Sakira Shaikh Husbands Name: Mohamad Shaikh House Number : 11/13 Age : 48 Gender : Female	Photo Available	463	ZOV0308619	Name : Raesabanu Shaikh Fathers Name: Mohamad Shaikh House Number : 11/13 Age : 30 Gender : Female	Photo Available
464	MXY1323021	Name : Jaitumbi Badwale Husbands Name: Chamansab Badwale House Number : 11/15 Age : 84 Gender : Female	Photo Available	465	MXY1380245	Name : Dastagir Rajesaheb Patel Fathers Name: Rajasab Patil House Number : 11/15 Age : 59 Gender : Male	Photo Available	466	ZOV0238477	Name : Bibizahra Patel Husbands Name: Dastgeer Sab Patel House Number : 11/15 Age : 54 Gender : Female	Photo Available

<p>467</p> <p>ZOV0436840</p> <p>Name : Rajesab Dastgir Patel Fathers Name: Dastgir Patel House Number : 11-15 Age : 20 Gender : Male</p> <p>Photo</p> <p>Available</p>	<p>468</p> <p>ZOV0069039</p> <p>Name : Rashidabi Tahasildar Husbands Name: Imam Hussain Tahasildar House Number : 11/16 Age : 64 Gender : Female</p> <p>Photo</p> <p>Available</p>	<p>469</p> <p>ZOV0268094</p> <p>Name : Anwar Tahasildar Fathers Name: Imam Hussain Tahasildar House Number : 11/16 Age : 45 Gender : Male</p> <p>Photo</p> <p>Available</p>
<p>470</p> <p>ZOV0268102</p> <p>Name : Ashraf Tahasildar Fathers Name: Imam Hussain Tahasildar House Number : 11/16 Age : 43 Gender : Male</p> <p>Photo</p> <p>Available</p>	<p>471</p> <p>ZOV0284455</p> <p>Name : Afzal Tahasildar Fathers Name: Hussain Tahasildar House Number : 11/16 Age : 41 Gender : Male</p> <p>Photo</p> <p>Available</p>	<p>472</p> <p>ZOV0069054</p> <p>Name : Shabnam Tahasildar Husbands Name: Anwar Tahasildar House Number : 11/16 Age : 39 Gender : Female</p> <p>Photo</p> <p>Available</p>
<p>473</p> <p>ZOV0319467</p> <p>Name : Roshan Begambi Tahasildar Husbands Name: Afzal Tahasildar House Number : 11/16 Age : 31 Gender : Female</p> <p>Photo</p> <p>Available</p>	<p>474</p> <p>ZOV0422576</p> <p>Name : SEEFA Tahsildar Fathers Name: Anwar Tahsildar House Number : 11/16 Age : 21 Gender : Female</p> <p>Photo</p> <p>Available</p>	<p>475</p> <p>MXY1323393</p> <p>Name : Kirankumar Hongare Fathers Name: Yamunappa Hongare House Number : 11/18 Age : 49 Gender : Male</p> <p>Photo</p> <p>Available</p>
<p>476</p> <p>MXY1355163</p> <p>Name : Basamma Hugar Husbands Name: Kirankumar Hongare House Number : 11/18 Age : 45 Gender : Female</p> <p>Photo</p> <p>Available</p>	<p>477</p> <p>MXY1350735</p> <p>Name : Vasant Kumar Fathers Name: Basappa Kumar House Number : 11/18 Age : 46 Gender : Male</p> <p>Photo</p> <p>Available</p>	<p>478</p> <p>ZOV0367706</p> <p>Name : Alfiya Sategeri Husbands Name: Mustafa Sategeri House Number : 11/18 Age : 36 Gender : Female</p> <p>Photo</p> <p>Available</p>
<p>479</p> <p>ZOV0284414</p> <p>Name : Tabassum Shaikh Husbands Name: Shabir Shaikh House Number : 11/18 Age : 45 Gender : Female</p> <p>Photo</p> <p>Available</p>	<p>480</p> <p>ZOV0436246</p> <p>Name : SAHIL SHAIKH Fathers Name: SALIM SHAIKH House Number : 11/18 Age : 21 Gender : Male</p> <p>Photo</p> <p>Available</p>	<p>481</p> <p>MXY1363886</p> <p>Name : Babu Kittur Fathers Name: Mohamad Kittur House Number : 11/19 Age : 69 Gender : Male</p> <p>Photo</p> <p>Available</p>
<p>482</p> <p>ZOV0314906</p> <p>Name : Khadarbi Kittur Husbands Name: Babu Kittur House Number : 11/19 Age : 59 Gender : Female</p> <p>Photo</p> <p>Available</p>	<p>483</p> <p>ZOV0284463</p> <p>Name : Rajiza Kittur Fathers Name: Babu Kittur House Number : 11/19 Age : 37 Gender : Female</p> <p>Photo</p> <p>Available</p>	<p>484</p> <p>ZOV0352005</p> <p>Name : Mehabooba Subani Kittur Fathers Name: Babumada Kittur House Number : 11/19 Age : 26 Gender : Male</p> <p>Photo</p> <p>Available</p>
<p>485</p> <p>ZOV0431320</p> <p>Name : Khairun Shaikh Husbands Name: Mehaboob Subani Kittur House Number : 11/19 Age : 24 Gender : Female</p> <p>Photo</p> <p>Available</p>	<p>486</p> <p>ZOV0426346</p> <p>Name : Nageshree Vjantri Fathers Name: Vinod Vjantri House Number : 11/20 Age : 28 Gender : Female</p> <p>Photo</p> <p>Available</p>	<p>487</p> <p>MXY1356310</p> <p>Name : Suresh Lamani Fathers Name: Sumappa Lamani House Number : 11/20 Age : 54 Gender : Male</p> <p>Photo</p> <p>Available</p>
<p>488</p> <p>ZOV0284489</p> <p>Name : Sheela Lamani Husbands Name: Suresh Lamani House Number : 11/20 Age : 44 Gender : Female</p> <p>Photo</p> <p>Available</p>	<p>489</p> <p>MXY0968255</p> <p>Name : Hanumant Vjantri Fathers Name: Basappa Vjantri House Number : 11/20 Age : 78 Gender : Male</p> <p>Photo</p> <p>Available</p>	<p>490</p> <p>ZOV0284422</p> <p>Name : Laxmbai Vjantri Fathers Name: Hanumant Vjantri House Number : 11/20 Age : 49 Gender : Female</p> <p>Photo</p> <p>Available</p>
<p>491</p> <p>ZOV0285270</p> <p>Name : Nagraj Vjantri Fathers Name: Hanumant Vjantri House Number : 11/20 Age : 42 Gender : Male</p> <p>Photo</p> <p>Available</p>	<p>492</p> <p>MXY1369354</p> <p>Name : Mallikarjun Vjantri Fathers Name: Hanumant Vjantri House Number : 11/20 Age : 41 Gender : Male</p> <p>Photo</p> <p>Available</p>	<p>493</p> <p>ZOV0254854</p> <p>Name : Shebina Begam Loni Fathers Name: Kutubsab Loni House Number : 11/21 Age : 35 Gender : Female</p> <p>Photo</p> <p>Available</p>
<p>494</p> <p>ZOV0237560</p> <p>Name : Shabhir Loni Fathers Name: Khutub Sab Loni House Number : 11/22 Age : 33 Gender : Male</p> <p>Photo</p> <p>Available</p>	<p>495</p> <p>ZOV0290395</p> <p>Name : Sharif Loni Fathers Name: Khutabu Loni House Number : 11/22 Age : 32 Gender : Male</p> <p>Photo</p> <p>Available</p>	<p>496</p> <p>ZOV0424556</p> <p>Name : Jasmeen Loni Husbands Name: Sharif Loni House Number : 11/22 Age : 25 Gender : Female</p> <p>Photo</p> <p>Available</p>

497 Name : Kutubsab Lony Fathers Name: Mirabi Lony House Number : 11/22 Age : 59 Gender : Male	ZOV0400184 Photo Available	498 Name : Fatimabi Lony Husbands Name: Kutubsab Lony House Number : 11/22 Age : 50 Gender : Female	ZOV0254888 Photo Available	499 Name : Miyasab Nimbai Fathers Name: Aminsab Nimbai House Number : 11/22 Age : 49 Gender : Male	MXY1363464 Photo Available
500 Name : Shaffia Babu Shaikh Husbands Name: Shabbir Loni House Number : 11/22 Age : 26 Gender : Female	ZOV0424549 Photo Available	501 Name : Husein Shaikh Fathers Name: Babusab Shaikh House Number : 11/24 Age : 55 Gender : Male	MXY1363662 Photo Available	502 Name : Husseinbi Shaikh Husbands Name: Hussain Shaikh House Number : 11/24 Age : 49 Gender : Female	MXY1352038 Photo Available
503 Name : Ayisha Shaikh Husbands Name: Hassainsab Shaikh House Number : 11/24 Age : 46 Gender : Female	ZOV0237982 Photo Available	504 Name : Mustaq Shaikh Fathers Name: Hussain Shaikh House Number : 11/24 Age : 30 Gender : Male	ZOV0352773 Photo Available	505 Name : Fatima Shaikh Fathers Name: Hussainsab Shaikh House Number : 11/24 Age : 26 Gender : Female	ZOV0365742 Photo Available
506 Name : Mansur Shaikh Fathers Name: Husainsab Shaikh House Number : 11/24 Age : 25 Gender : Male	ZOV0367136 Photo Available	507 Name : Appalai Huseenasab Langoti Fathers Name: Huseenasab Langoti House Number : 11/25 Age : 66 Gender : Male	ZOV0431338 Photo Available	508 Name : Mamtaz Appalai Langoti Husbands Name: Appalai Langoti House Number : 11/25 Age : 55 Gender : Female	ZOV0431346 Photo Available
509 Name : Mumtazbi Muzawar Fathers Name: Haidarsab Muzawar House Number : 11/25 Age : 47 Gender : Female	ZOV0400176 Photo Available	510 Name : Ashpak Sahapuri Fathers Name: Ismail Sahapuri House Number : 11/26 Age : 37 Gender : Male	ZOV0284430 Photo Available	511 Name : Ismail Shapur Fathers Name: Hasansab Shapur House Number : 11/26 Age : 54 Gender : Male	MXY1376979 Photo Available
512 Name : Shamshad Shapur Husbands Name: Ismail Shapur House Number : 11/26 Age : 49 Gender : Female	MXY1362680 Photo Available	513 Name : Najma Shapur Fathers Name: Ismail Shapur House Number : 11/26 Age : 37 Gender : Female	MXY1362698 Photo Available	514 Name : Farzana Shapuri Fathers Name: Ismail Shapuri House Number : 11/26 Age : 33 Gender : Female	ZOV0303743 Photo Available
515 Name : Malikjan Shapuri Fathers Name: Ismail Shapuri House Number : 11/26 Age : 31 Gender : Male	ZOV0290445 Photo Available	516 Name : Riyaz Hanur Fathers Name: Hazarat Ali Hanur House Number : 11/27 Age : 47 Gender : Male	MXY1369198 Photo Available	517 Name : Ismail Hanur Fathers Name: Hazarat Ali Hanur House Number : 11/27 Age : 44 Gender : Male	MXY1369057 Photo Available
518 Name : Allauddin Aaldi Fathers Name: Mohamad Anif Aaldi House Number : 11/28 Age : 54 Gender : Male	MXY1369743 Photo Available	519 Name : Nafisa Aaldi Husbands Name: Allauddin Aaldi House Number : 11/28 Age : 49 Gender : Female	MXY1369875 Photo Available	520 Name : Danjappa Rathod Fathers Name: Shivappa Rathod House Number : 11/29 Age : 46 Gender : Male	MXY1352749 Photo Available
E 521 Name : Rashid Bhagewadi Fathers Name: Jallanisab Bhagewadi House Number : 11/30 Age : 55 Gender : Male	MXY1362995 Photo Available	522 Name : Gaus Bhagewadi Fathers Name: Jallanisab Bhagewadi House Number : 11/30 Age : 47 Gender : Male	MXY1379783 Photo Available	523 Name : Noorjahan Bhagewadi Husbands Name: Rashid Bhagewadi House Number : 11/30 Age : 45 Gender : Female	MXY1362094 Photo Available
524 Name : Yesmin Bhagewadi Husbands Name: Gaus Bhagewadi House Number : 11/30 Age : 42 Gender : Female	MXY1363373 Photo Available	525 Name : Yasin Sakali Fathers Name: Abdul Rehman Sakali House Number : 11/30 Age : 47 Gender : Male	MXY7760994 Photo Available	526 Name : Nazima Sakali Husbands Name: Yasin Sakali House Number : 11/30 Age : 39 Gender : Female	MXY1356609 Photo Available

<p>527</p> <p>ZOV0418095</p> <p>Name : Manu Naik Fathers Name: T Yamuna Naik House Number : 11/32 Age : 24 Gender : Male</p> <p>Photo Available</p>	<p>S 528</p> <p>ZOV0369033</p> <p>Name : Mahaboni Sayed Fathers Name: Yusuf Sayed House Number : 11/32 Age : 41 Gender : Female</p> <p>Photo Available</p>	<p>529</p> <p>ZOV0385427</p> <p>Name : Sameer Sayed Fathers Name: Yousuf Sayed House Number : 11/32 Age : 23 Gender : Male</p> <p>Photo Available</p>
<p>530</p> <p>ZOV0359802</p> <p>Name : Yasmeen Syed Fathers Name: Yusuf Syed House Number : 11/32 Age : 25 Gender : Female</p> <p>Photo Available</p>	<p>531</p> <p>MXY1355882</p> <p>Name : Abdul Shukur Katagi Fathers Name: Rajesab Katagi House Number : 11/33 Age : 55 Gender : Male</p> <p>Photo Available</p>	<p>532</p> <p>ZOV0379404</p> <p>Name : Simran Banu Katagi Fathers Name: Shukur sab Katagi House Number : 11/33 Age : 23 Gender : Female</p> <p>Photo Available</p>
<p>533</p> <p>ZOV0435693</p> <p>Name : AYAZ KATAGI Fathers Name: ABDUL SHUKUR House Number : 11/33 Age : 20 Gender : Male</p> <p>Photo Available</p>	<p>534</p> <p>ZOV0420596</p> <p>Name : Ayishasiddqa Katgi Fathers Name: Abdul Shukur Katgi House Number : 11/33 Age : 22 Gender : Female</p> <p>Photo Available</p>	<p>535</p> <p>MXY1365287</p> <p>Name : Hazra Bi Katgui Husbands Name: Shukur Katgui House Number : 11/33 Age : 48 Gender : Female</p> <p>Photo Available</p>
<p>536</p> <p>ZOV0346965</p> <p>Name : Mohammad Ayub Katigi Fathers Name: Shukarsab Katagi House Number : 11/33 Age : 26 Gender : Male</p> <p>Photo Available</p>	<p>537</p> <p>ZOV0338244</p> <p>Name : Shahtaj Kattagi Fathers Name: Shukur Kattagi House Number : 11/33 Age : 28 Gender : Female</p> <p>Photo Available</p>	<p>538</p> <p>ZOV0380519</p> <p>Name : Zabiulla Mulla Fathers Name: Hazrathali Mulla House Number : 11/33 Age : 46 Gender : Male</p> <p>Photo Available</p>
<p>539</p> <p>ZOV0380527</p> <p>Name : Abida Banu Mulla Husbands Name: Zabiulla Mulla House Number : 11/33 Age : 42 Gender : Female</p> <p>Photo Available</p>	<p>540</p> <p>ZOV0238162</p> <p>Name : Mahamad Shafi Rattihalli Fathers Name: Abdul Rehman Sab Rattihalli House Number : 11/35 Age : 62 Gender : Male</p> <p>Photo Available</p>	<p>541</p> <p>ZOV0238741</p> <p>Name : Hamida Banu Rattihalli Husbands Name: Mahamad Shafi Rattihalli House Number : 11/35 Age : 52 Gender : Female</p> <p>Photo Available</p>
<p>542</p> <p>ZOV0238733</p> <p>Name : Amreen Banu Rattihalli Fathers Name: Mahamad Rattihalli House Number : 11/35 Age : 34 Gender : Female</p> <p>Photo Available</p>	<p>543</p> <p>ZOV0320424</p> <p>Name : Nazrinbanu Rattihalli Fathers Name: Mahamad Shafi Rattihalli House Number : 11/35 Age : 29 Gender : Female</p> <p>Photo Available</p>	<p>544</p> <p>ZOV0331868</p> <p>Name : Rihana Herekar Husbands Name: Bashir Herekar House Number : 11/B Age : 40 Gender : Female</p> <p>Photo Available</p>
<p>545</p> <p>MXY1365279</p> <p>Name : Chandsab Makandar Fathers Name: Nabisab Makandar House Number : 11/5/a Age : 47 Gender : Male</p> <p>Photo Available</p>	<p>546</p> <p>MXY1365261</p> <p>Name : Shamshad Makandar Husbands Name: Chandsab Makandar House Number : 11/5/a Age : 40 Gender : Female</p> <p>Photo Available</p>	<p>547</p> <p>MXY1355759</p> <p>Name : Laxman Patil Fathers Name: Yallappa Patil House Number : 11/7/a Age : 39 Gender : Male</p> <p>Photo Available</p>
<p>548</p> <p>ZOV0414854</p> <p>Name : Yuvraj Patil Fathers Name: Sadashiv Patil House Number : 11/7/A Age : 28 Gender : Male</p> <p>Photo Available</p>	<p>549</p> <p>ZOV0414805</p> <p>Name : Peeru Patil Fathers Name: Sadashiv Patil House Number : 11/7/A Age : 25 Gender : Male</p> <p>Photo Available</p>	<p>550</p> <p>ZOV0320440</p> <p>Name : Arzoo Shaikh Fathers Name: Sabir Shaikh House Number : 11/8-A Age : 29 Gender : Female</p> <p>Photo Available</p>
<p>551</p> <p>ZOV0334557</p> <p>Name : Adil Shaikh Fathers Name: Sabir Shaikh House Number : 11/8-B Age : 28 Gender : Male</p> <p>Photo Available</p>	<p>552</p> <p>ZOV0361410</p> <p>Name : Sharuk Shaikh Fathers Name: Shabir Shaikh House Number : 11/8-B Age : 26 Gender : Male</p> <p>Photo Available</p>	<p>553</p> <p>ZOV0339762</p> <p>Name : Ayub Hatroti Fathers Name: Mohamadali Hatroti House Number : 11/11/A Age : 27 Gender : Male</p> <p>Photo Available</p>
<p>554</p> <p>MXY1355742</p> <p>Name : Annappa Patil Fathers Name: Yalappa Patil House Number : 11/11/b Age : 49 Gender : Male</p> <p>Photo Available</p>	<p>555</p> <p>MXY0261339</p> <p>Name : Hanumant Patil Fathers Name: Girmal Patil House Number : 11/11/B Age : 45 Gender : Male</p> <p>Photo Available</p>	<p>556</p> <p>MXY1379270</p> <p>Name : Yallavst Patil Husbands Name: Annappa Patil House Number : 11/11/b Age : 44 Gender : Female</p> <p>Photo Available</p>

557	ZOV0333880	Name : Khwajamainodin Shaikhwale Fathers Name: Mohammad Yusuf Shaikhwale House Number : 11/11/B Age : 28 Gender : Male	Photo Available	558	ZOV0183806	Name : Mohammad Isuf Shaikhwale Fathers Name: Mugutsahib Shaikhwale House Number : 11/11/B Age : 57 Gender : Male	Photo Available	559	ZOV0426403	Name : Gauresh Patil Fathers Name: Hanumant Patil House Number : 11/11-B Age : 21 Gender : Male	Photo Available
560	ZOV0237990	Name : Mahamad Adil Khan Fathers Name: Mahamad Alam Khan House Number : 11/13-A Age : 34 Gender : Male	Photo Available	561	MXY1350941	Name : Mirabi Rathod Husbands Name: Janinjafa Rathod House Number : 11/29/a Age : 49 Gender : Female	Photo Available	562	MXY1352772	Name : Chitrappa Pawar Fathers Name: Bhimappa Pawar House Number : 11/29/b Age : 49 Gender : Male	Photo Available
563	MXY1350958	Name : Shila Pawar Husbands Name: Chitrappa Pawar House Number : 11/29/b Age : 44 Gender : Female	Photo Available	564	MXY1356328	Name : Yamnoor Shaikh Fathers Name: Alasab Shaikh House Number : 11/29/b Age : 50 Gender : Male	Photo Available	565	MXY1351923	Name : Jainabi Shaikh Husbands Name: Yamnoor Shaikh House Number : 11/29/b Age : 44 Gender : Female	Photo Available
566	ZOV0383190	Name : Tabassum Havanur Husbands Name: Ismail Havanur House Number : 11/32 Ismail Havanur Age : 35 Gender : Female	Photo Available	567	ZOV0348250	Name : Shehnaz Begum Fathers Name: Fakir Saheb Nadaf House Number : 12 Age : 29 Gender : Female	Photo Available	568	ZOV0285908	Name : Aminabi Nadaf Husbands Name: Gokursab Nadaf House Number : 12 Age : 69 Gender : Female	Photo Available
569	ZOV0285916	Name : Lalsab Nadaf Fathers Name: Gokursab Nadaf House Number : 12 Age : 44 Gender : Male	Photo Available	570	MXY0945287	Name : Ramzan Nadaf Fathers Name: Gokulsab Nadaf House Number : 12 Age : 42 Gender : Male	Photo Available	571	MXY1381219	Name : Sameera Nadaf Fathers Name: Gokursab Nadaf House Number : 12 Age : 38 Gender : Female	Photo Available
572	ZOV0267385	Name : Hussain Bi Nadaf Fathers Name: Gofursab Nadaf House Number : 12 Age : 38 Gender : Female	Photo Available	573	ZOV0363044	Name : Shainaj Nadaf Husbands Name: Lalsab Nadaf House Number : 12 Age : 34 Gender : Female	Photo Available	574	MXY1500073	Name : Jyostna Vaz Husbands Name: Inacio Vaz House Number : 12 Age : 50 Gender : Female	Photo Available
575	MXY0967547	Name : Inacio F V Vaz Fathers Name: Paulo Vaz House Number : 12 Age : 50 Gender : Male	Photo Available	576	ZOV0290452	Name : ARTI SAVANT Husbands Name: PRADEEP SAVANT House Number : 12/1 Age : 33 Gender : Female	Photo Available	577	MXY7742695	Name : Balawa Jutapanvar Husbands Name: Laxman Jutapanvar House Number : 12/2 Age : 82 Gender : Female	Photo Available
578	MXY7743461	Name : Irappa Jutapanvar Fathers Name: Laxman Jutapanvar House Number : 12/2 Age : 57 Gender : Male	Photo Available	579	MXY1364082	Name : Javed Horalkathi Fathers Name: Rehman Horalkathi House Number : 12/3 Age : 44 Gender : Male	Photo Available	580	MXY1364256	Name : Amjadkhan Horalkatti Fathers Name: Rehman Horalkatti House Number : 12/3 Age : 41 Gender : Male	Photo Available
581	MXY1364199	Name : Salim Lahalmi Fathers Name: Mohamad Ali Lahalmi House Number : 12/3 Age : 40 Gender : Male	Photo Available	582	MXY1364264	Name : Mohidin Mulla Fathers Name: Nazir Mulla House Number : 12/3 Age : 47 Gender : Male	Photo Available	583	MXY1356278	Name : Mohamadali Mulla Fathers Name: Nazirsab Mulla House Number : 12/3 Age : 44 Gender : Male	Photo Available
584	MXY1356419	Name : Iqbal Mulla Fathers Name: Nazirsab Mulla House Number : 12/3 Age : 39 Gender : Male	Photo Available	585	ZOV0335703	Name : Reshma Halashi Husbands Name: Sanavalla Halashi House Number : 12/10 Age : 35 Gender : Female	Photo Available	586	ZOV0373597	Name : Mohmad Soheb Halasi Fathers Name: Mahmrad Haneeph Halasi House Number : 12/10 Age : 33 Gender : Male	Photo Available

<p>587</p> <p>ZOV0068676</p> <p>Name : Tarana Halgi Fathers Name: Mohamad Halgi House Number : 12/10 Age : 41 Gender : Female</p> <p>Photo Available</p>	<p>588</p> <p>ZOV0267658</p> <p>Name : Mahammad Shafi Halsi Fathers Name: Mohamad Halsi House Number : 12/10 Age : 41 Gender : Male</p> <p>Photo Available</p>	<p>589</p> <p>MXY1325646</p> <p>Name : Naziya Halsi Husbands Name: Mahamad Shafi Halsi House Number : 12/10 Age : 36 Gender : Female</p> <p>Photo Available</p>
<p>590</p> <p>ZOV0335521</p> <p>Name : Aarti Pal Husbands Name: Subhash Pal House Number : 12/10 Age : 35 Gender : Female</p> <p>Photo Available</p>	<p>591</p> <p>ZOV0385393</p> <p>Name : Mohammed Akram Halasi Fathers Name: Mahmad Haneeph Halasi House Number : 12/11 Age : 35 Gender : Male</p> <p>Photo Available</p>	<p>592</p> <p>ZOV0328625</p> <p>Name : Nanhe Pal Fathers Name: Ramasanehi Pal House Number : 12/11 Age : 53 Gender : Male</p> <p>Photo Available</p>
<p>593</p> <p>MXY0968420</p> <p>Name : Shanti Pal Husbands Name: Nanhe Pal House Number : 12/11 Age : 45 Gender : Female</p> <p>Photo Available</p>	<p>594</p> <p>MXY0968206</p> <p>Name : Subhash Pal Fathers Name: Ramhanehi Pal House Number : 12/11 Age : 42 Gender : Male</p> <p>Photo Available</p>	<p>595</p> <p>ZOV0400788</p> <p>Name : Avakka Khilargi Husbands Name: Lagappa Khilargi House Number : 12/12 Age : 69 Gender : Female</p> <p>Photo Available</p>
<p>596</p> <p>MXY7742778</p> <p>Name : Nagappa Khilargi Fathers Name: Lagappa Khilargi House Number : 12/12 Age : 42 Gender : Male</p> <p>Photo Available</p>	<p>597</p> <p>MXY1363787</p> <p>Name : Laxmi Khilargi Husbands Name: Parshuram Khilargi House Number : 12/12 Age : 37 Gender : Female</p> <p>Photo Available</p>	<p>598</p> <p>MXY1376417</p> <p>Name : Sumitra Khilargi Husbands Name: Nagappa Khilargi House Number : 12/12 Age : 37 Gender : Female</p> <p>Photo Available</p>
<p>599</p> <p>MXY1355619</p> <p>Name : Parshuram Khilargi Fathers Name: Lagappa Khilargi House Number : 12/12 Age : 37 Gender : Male</p> <p>Photo Available</p>	<p>600</p> <p>ZOV0362970</p> <p>Name : Lagmappa Naik Fathers Name: Basappa Naik House Number : 12/12 Age : 43 Gender : Male</p> <p>Photo Available</p>	<p>601</p> <p>ZOV0366278</p> <p>Name : Sangeeta Naik Husbands Name: Lagamma Naik House Number : 12/12 Age : 32 Gender : Female</p> <p>Photo Available</p>
<p>602</p> <p>ZOV0199950</p> <p>Name : Renuka Hadimani Husbands Name: Vasant Hadimani House Number : 12/15 Age : 61 Gender : Female</p> <p>Photo Available</p>	<p>603</p> <p>ZOV0367144</p> <p>Name : Umesh Hadimani Fathers Name: Vasant Hadimani House Number : 12/15 Age : 29 Gender : Male</p> <p>Photo Available</p>	<p>604</p> <p>ZOV0426304</p> <p>Name : Chandrika Hadimani Husbands Name: Umesh Hadimani House Number : 12/15 Age : 24 Gender : Female</p> <p>Photo Available</p>
<p>605</p> <p>ZOV0300939</p> <p>Name : Faiyaz Kambargani Fathers Name: Rajasab Kambargani House Number : 12/19 Age : 32 Gender : Male</p> <p>Photo Available</p>	<p>606</p> <p>MXY1354414</p> <p>Name : Sharifa Kambargani Husbands Name: Rajasab Kambargani House Number : 12/19 Age : 62 Gender : Female</p> <p>Photo Available</p>	<p>607</p> <p>MXY1354430</p> <p>Name : Fatima Kampargini Fathers Name: Rajasab Kampargini House Number : 12/19 Age : 38 Gender : Female</p> <p>Photo Available</p>
<p>608</p> <p>MXY1325679</p> <p>Name : Asha Gulli Husbands Name: Basappa Gulli House Number : 12/21 Age : 39 Gender : Female</p> <p>Photo Available</p>	<p>609</p> <p>MXY1325653</p> <p>Name : Yalavva Gulli Fathers Name: Tanamma Gulli House Number : 12/21 Age : 37 Gender : Female</p> <p>Photo Available</p>	<p>610</p> <p>ZOV0356931</p> <p>Name : Sunil Gulli Fathers Name: Basappa Gulli House Number : 12/21 Age : 25 Gender : Male</p> <p>Photo Available</p>
<p>611</p> <p>ZOV0204255</p> <p>Name : Tarabai More Husbands Name: Shrikant More House Number : 12/22 Age : 69 Gender : Female</p> <p>Photo Available</p>	<p>612</p> <p>ZOV0321877</p> <p>Name : Megha More Fathers Name: Mahendra More House Number : 12/22 Age : 28 Gender : Female</p> <p>Photo Available</p>	<p>613</p> <p>ZOV0380121</p> <p>Name : Madhusudhan More Fathers Name: Mahendra More House Number : 12/22 Age : 23 Gender : Male</p> <p>Photo Available</p>
<p>614</p> <p>MXY0967190</p> <p>Name : Gangava Kamble Husbands Name: Satish Kamble House Number : 12/25 Age : 49 Gender : Female</p> <p>Photo Available</p>	<p>615</p> <p>ZOV0337493</p> <p>Name : Deepak Kamble Fathers Name: Satish Kamble House Number : 12/25 Age : 29 Gender : Male</p> <p>Photo Available</p>	<p>616</p> <p>ZOV0386797</p> <p>Name : Akash Kamble Fathers Name: Satish Kamble House Number : 12/25 Age : 26 Gender : Male</p> <p>Photo Available</p>

<p>617</p> <p>MXY0966366</p> <p>Name : Maruti Naik Fathers Name: Irappa Naik House Number : 12/25 Age : 71 Gender : Male</p> <p>Photo Available</p>	<p>618</p> <p>ZOV0400770</p> <p>Name : Lauavva Naik Husbands Name: Maruti Naik House Number : 12/25 Age : 54 Gender : Female</p> <p>Photo Available</p>	<p>619</p> <p>MXY9308396</p> <p>Name : Manoj Naik Fathers Name: Maruti Naik House Number : 12/25 Age : 39 Gender : Male</p> <p>Photo Available</p>
<p>620</p> <p>ZOV0337196</p> <p>Name : Bangarevva Naik Husbands Name: Manoj Naik House Number : 12/25 Age : 33 Gender : Female</p> <p>Photo Available</p>	<p>621</p> <p>ZOV0300954</p> <p>Name : Vaishali Naik Fathers Name: Maruti Naik House Number : 12/25 Age : 30 Gender : Female</p> <p>Photo Available</p>	<p>622</p> <p>ZOV0320325</p> <p>Name : Usha Naik Fathers Name: Maruti Naik House Number : 12/25 Age : 29 Gender : Female</p> <p>Photo Available</p>
<p>623</p> <p>MXY0966838</p> <p>Name : Bibijan Beedi Husbands Name: Rehman Beedi House Number : 12/26 Age : 62 Gender : Female</p> <p>Photo Available</p>	<p>624</p> <p>ZOV0337246</p> <p>Name : Sadik Beedi Fathers Name: Rehman Beedi House Number : 12/26 Age : 40 Gender : Male</p> <p>Photo Available</p>	<p>625</p> <p>MXY1377266</p> <p>Name : Jabin Beedi Husbands Name: Sadik Beedi House Number : 12/26 Age : 38 Gender : Female</p> <p>Photo Available</p>
<p>626</p> <p>ZOV0400754</p> <p>Name : Laxmi Chachadi Husbands Name: Ningappa Chachadi House Number : 12/27 Age : 81 Gender : Female</p> <p>Photo Available</p>	<p>E 627</p> <p>ZOV0269977</p> <p>Name : Hirabai Angadi Husbands Name: Chandrappa Angadi House Number : 12/28 Age : 62 Gender : Female</p> <p>Photo Available</p>	<p>628</p> <p>ZOV0400747</p> <p>Name : Shivmurthy Angadi Fathers Name: Chandrappa Angadi House Number : 12/28 Age : 47 Gender : Male</p> <p>Photo Available</p>
<p>629</p> <p>MXY0966762</p> <p>Name : Mahadev Angadi Fathers Name: Chandrappa Angadi House Number : 12/28 Age : 43 Gender : Male</p> <p>Photo Available</p>	<p>630</p> <p>MXY1367432</p> <p>Name : Shivanand Angadi Fathers Name: Chandrappa Angadi House Number : 12/28 Age : 39 Gender : Male</p> <p>Photo Available</p>	<p>631</p> <p>ZOV0419853</p> <p>Name : Vidhya Angadi Husbands Name: Shivmurti Angadi House Number : 12/28 Age : 37 Gender : Female</p> <p>Photo Available</p>
<p>632</p> <p>ZOV0359786</p> <p>Name : Mahesh Angadi Fathers Name: Shankar Angadi House Number : 12/28 Age : 26 Gender : Male</p> <p>Photo Available</p>	<p>633</p> <p>ZOV0422618</p> <p>Name : Vikas Angadi Fathers Name: Shankar Angadi House Number : 12/28 Age : 22 Gender : Male</p> <p>Photo Available</p>	<p>634</p> <p>ZOV0062398</p> <p>Name : Yellappa Hangirgekar Fathers Name: Shankar Hangirgekar House Number : 12/28 Age : 55 Gender : Male</p> <p>Photo Available</p>
<p>635</p> <p>ZOV0062406</p> <p>Name : Shobha Hangirgekar Husbands Name: Yellappa Hangirgekar House Number : 12/28 Age : 50 Gender : Female</p> <p>Photo Available</p>	<p>636</p> <p>ZOV0334581</p> <p>Name : Suraj Hangirgekar Fathers Name: Yallappa Hangirgekar House Number : 12/28 Age : 28 Gender : Male</p> <p>Photo Available</p>	<p>637</p> <p>MXY7742760</p> <p>Name : rafique Kambargani Fathers Name: Rajasab Kambargani House Number : 12/29 Age : 41 Gender : Male</p> <p>Photo Available</p>
<p>638</p> <p>ZOV0400739</p> <p>Name : Renuka Angadi Husbands Name: Shankar Angadi House Number : 12/30 Age : 48 Gender : Female</p> <p>Photo Available</p>	<p>639</p> <p>ZOV0266650</p> <p>Name : Sunita Angadi Fathers Name: Shankar Angadi House Number : 12/30 Age : 32 Gender : Female</p> <p>Photo Available</p>	<p>640</p> <p>ZOV0334524</p> <p>Name : Sushma Angadi Fathers Name: Shankar Angadi House Number : 12/30 Age : 27 Gender : Female</p> <p>Photo Available</p>
<p>641</p> <p>ZOV0400721</p> <p>Name : Shantabai Devkule Husbands Name: Dhanu Devkule House Number : 12/30 Age : 76 Gender : Female</p> <p>Photo Available</p>	<p>642</p> <p>MXY0966788</p> <p>Name : Raju Denge Fathers Name: Narayan Denge House Number : 12/31 Age : 58 Gender : Male</p> <p>Photo Available</p>	<p>643</p> <p>ZOV0400713</p> <p>Name : Rekha Denge Husbands Name: Raju Denge House Number : 12/31 Age : 49 Gender : Female</p> <p>Photo Available</p>
<p>644</p> <p>ZOV0339333</p> <p>Name : Darshan Denge Fathers Name: Raju Denge House Number : 12/31 Age : 27 Gender : Male</p> <p>Photo Available</p>	<p>645</p> <p>ZOV0419341</p> <p>Name : Priyanka Denge Fathers Name: Raju Denge House Number : 12/31 Age : 25 Gender : Female</p> <p>Photo Available</p>	<p>646</p> <p>ZOV0238006</p> <p>Name : Hussain Nadaf Fathers Name: Dastgir Sab Nadaf House Number : 12/32 Age : 47 Gender : Male</p> <p>Photo Available</p>

<p>647</p> <p>ZOV0357822</p> <p>Name : Mumtaz Nadaf Husbands Name: Husen Nadaf House Number : 12/32 Age : 37 Gender : Female</p> <p>Photo Available</p>	<p>648</p> <p>ZOV0418079</p> <p>Name : Baasu Naik Fathers Name: Yamana Naik House Number : 12/32 Age : 23 Gender : Male</p> <p>Photo Available</p>	<p>649</p> <p>ZOV0068437</p> <p>Name : Saleenbi Patil Husbands Name: Maqboolsab Patil House Number : 12/32 Age : 69 Gender : Female</p> <p>Photo Available</p>
<p>650</p> <p>MXY1354976</p> <p>Name : Mehasboobi Nadaf Husbands Name: Ismailsab Nadaf House Number : 12/33 Age : 75 Gender : Female</p> <p>Photo Available</p>	<p>651</p> <p>MXY0000901</p> <p>Name : Akbar Nadaf Fathers Name: Imamsab Nadaf House Number : 12/33 Age : 74 Gender : Male</p> <p>Photo Available</p>	<p>652</p> <p>ZOV0400697</p> <p>Name : Dilshad Nadaf Husbands Name: Akbar Nadaf House Number : 12/33 Age : 71 Gender : Female</p> <p>Photo Available</p>
<p>653</p> <p>MXY9308420</p> <p>Name : Nusrat Nadaf Fathers Name: Akbar Nadaf House Number : 12/33 Age : 44 Gender : Female</p> <p>Photo Available</p>	<p>654</p> <p>MXY1356781</p> <p>Name : Alisab Nadaf Fathers Name: Ismailsab Nadaf House Number : 12/33 Age : 43 Gender : Male</p> <p>Photo Available</p>	<p>655</p> <p>MXY1354307</p> <p>Name : Kutubuddin Nadaf Fathers Name: Akbar Nadaf House Number : 12/33 Age : 39 Gender : Male</p> <p>Photo Available</p>
<p>656</p> <p>MXY1355643</p> <p>Name : Altaf Nadaf Fathers Name: Akbar Nadaf House Number : 12/33 Age : 37 Gender : Male</p> <p>Photo Available</p>	<p>657</p> <p>ZOV0334573</p> <p>Name : Mehaboob Nadaf Fathers Name: Akbar Nadaf House Number : 12/33 Age : 32 Gender : Male</p> <p>Photo Available</p>	<p>658</p> <p>ZOV0400689</p> <p>Name : Basappa Ghorpade Fathers Name: Nagappa Ghorpade House Number : 12/34 Age : 80 Gender : Male</p> <p>Photo Available</p>
<p>659</p> <p>ZOV0303727</p> <p>Name : Akash Ghorpade Fathers Name: Shekhar Ghorpade House Number : 12/34 Age : 31 Gender : Male</p> <p>Photo Available</p>	<p>660</p> <p>MXY0967240</p> <p>Name : Shekar Naikar Fathers Name: Ramappa Naikar House Number : 12/34 Age : 55 Gender : Male</p> <p>Photo Available</p>	<p>661</p> <p>ZOV0400671</p> <p>Name : Shevanta Naikar Husbands Name: Shekhar Naikar House Number : 12/34 Age : 48 Gender : Female</p> <p>Photo Available</p>
<p>662</p> <p>ZOV0067850</p> <p>Name : Matias Barreto Husbands Name: Conceicao Barreto House Number : 12/35 Age : 54 Gender : Female</p> <p>Photo Available</p>	<p>663</p> <p>ZOV0400663</p> <p>Name : Conceicao Barreto Fathers Name: Piedade Barreto House Number : 12/35 Age : 52 Gender : Male</p> <p>Photo Available</p>	<p>664</p> <p>ZOV0400655</p> <p>Name : Jacinta Mascarenhas Husbands Name: Piedade Mascarenhas House Number : 12/35 Age : 71 Gender : Female</p> <p>Photo Available</p>
<p>665</p> <p>ZOV0441634</p> <p>Name : YASMEEN ADVADKAR Husbands Name: ALLAUDDIN ADVADKAR House Number : 12/36 Age : 35 Gender : Female</p> <p>Photo Available</p>	<p>666</p> <p>MXY1358324</p> <p>Name : Samiulla Khan Fathers Name: Mohamad Khan House Number : 12/36 Age : 49 Gender : Male</p> <p>Photo Available</p>	<p>667</p> <p>MXY9308552</p> <p>Name : Maharun Bi Khan Husbands Name: Samiulla Khan House Number : 12/36 Age : 43 Gender : Female</p> <p>Photo Available</p>
<p>668</p> <p>ZOV0368605</p> <p>Name : Sharifa Khan Fathers Name: Mahmmd Khan House Number : 12/36 Age : 24 Gender : Female</p> <p>Photo Available</p>	<p>669</p> <p>ZOV0431411</p> <p>Name : Matin Khan Fathers Name: Samiulla Khan House Number : 12/36 Age : 20 Gender : Male</p> <p>Photo Available</p>	<p>670</p> <p>MXY0968412</p> <p>Name : Asma Shaikh Husbands Name: Dadapir Shaikh House Number : 12/36 Age : 37 Gender : Female</p> <p>Photo Available</p>
<p>671</p> <p>ZOV0335729</p> <p>Name : Parvin Banu Tashildar Husbands Name: Asif Tashildar House Number : 12/36 Age : 37 Gender : Female</p> <p>Photo Available</p>	<p>E 672</p> <p>ZOV0400093</p> <p>Name : Elsa Coelho Husbands Name: Marceia Coelho House Number : 12/39 Age : 81 Gender : Female</p> <p>DELETED Photo Available</p>	<p>673</p> <p>ZOV0414789</p> <p>Name : Akshay Naikar Fathers Name: Shekhar Naikar House Number : 12/39 Age : 25 Gender : Male</p> <p>Photo Available</p>
<p>674</p> <p>MXY1325505</p> <p>Name : Seeta Ramesh Chawan Husbands Name: Ramesh Lamani House Number : 12/40 Age : 44 Gender : Female</p> <p>Photo Available</p>	<p>675</p> <p>ZOV0431403</p> <p>Name : Ajay Chawan Fathers Name: Ramesh Chawan House Number : 12/40 Age : 20 Gender : Male</p> <p>Photo Available</p>	<p>676</p> <p>MXY1324565</p> <p>Name : Ramesh Lamani Fathers Name: Venkayya Lamani House Number : 12/40 Age : 49 Gender : Male</p> <p>Photo Available</p>

<p>677</p> <p>MXY0966747</p> <p>Name : Mehebuli Karjgi Husbands Name : Sattarsab Karjgi House Number : 12/41 Age : 66 Gender : Female</p> <p>Photo</p> <p>Available</p>	<p>678</p> <p>ZOV0064048</p> <p>Name : Anwar Karjgi Fathers Name : Sattarsab Karjgi House Number : 12/41 Age : 47 Gender : Male</p> <p>Photo</p> <p>Available</p>	<p>679</p> <p>MXY1357797</p> <p>Name : Mahamad Karjgi Fathers Name : Sattarsab Karjgi House Number : 12/41 Age : 40 Gender : Male</p> <p>Photo</p> <p>Available</p>
<p>680</p> <p>MXY1352012</p> <p>Name : Fatima Karjgi Fathers Name : Sattarsab Karjgi House Number : 12/41 Age : 39 Gender : Female</p> <p>Photo</p> <p>Available</p>	<p>681</p> <p>MXY1321850</p> <p>Name : Dadapir Karjgi Fathers Name : Sattarsab Karjgi House Number : 12/41 Age : 37 Gender : Male</p> <p>Photo</p> <p>Available</p>	<p>682</p> <p>JMQ2210706</p> <p>Name : Sajeda Karjgi Husbands Name : Anwar Karjgi House Number : 12/41 Age : 36 Gender : Female</p> <p>Photo</p> <p>Available</p>
<p>683</p> <p>ZOV0323089</p> <p>Name : Khajasab Tahashildar Fathers Name : Bashesab Tahashildar House Number : 12/41 Age : 28 Gender : Male</p> <p>Photo</p> <p>Available</p>	<p>684</p> <p>ZOV0371021</p> <p>Name : Khajasab Tahashildar Fathers Name : Bashesab Tahashildar House Number : 12/41 Age : 28 Gender : Male</p> <p>Photo</p> <p>Available</p>	<p>685</p> <p>MXY1354398</p> <p>Name : Shabina Tahasildar Husbands Name : Bashesab Tahasildar House Number : 12/41 Age : 49 Gender : Female</p> <p>Photo</p> <p>Available</p>
<p>686</p> <p>ZOV0368274</p> <p>Name : Saddam Tahshidar Fathers Name : Basha Tahshildar House Number : 12/41 Age : 27 Gender : Male</p> <p>Photo</p> <p>Available</p>	<p>687</p> <p>ZOV0368142</p> <p>Name : Mabobi Tasildar Fathers Name : Bashesab Tasildar House Number : 12/41 Age : 25 Gender : Male</p> <p>Photo</p> <p>Available</p>	<p>688</p> <p>ZOV0416958</p> <p>Name : Karishma Shaikh Others : Bibijan Bedi House Number : 12/26/A Age : 23 Gender : Male</p> <p>Photo</p> <p>Available</p>
<p>689</p> <p>ZOV0443200</p> <p>Name : Samir Salim Sheikh Fathers Name : Salim Sheikh House Number : 12/26/A Age : 25 Gender : Male</p> <p>Photo</p> <p>Available</p>	<p>690</p> <p>MXY1325737</p> <p>Name : Chandbi Shaikh Fathers Name : Dasgirsab Shaikh House Number : 12/36/a Age : 69 Gender : Female</p> <p>Photo</p> <p>Available</p>	<p>691</p> <p>MXY1352046</p> <p>Name : Rafik Shaikh Fathers Name : Hussain Shaikh House Number : 12/36/a Age : 64 Gender : Male</p> <p>Photo</p> <p>Available</p>
<p>692</p> <p>MXY1325786</p> <p>Name : Bibijan Shaikh Husbands Name : Rafik Shaikh House Number : 12/36/a Age : 54 Gender : Female</p> <p>Photo</p> <p>Available</p>	<p>E 693</p> <p>MXY1350057</p> <p>Name : Kazimsab Shaikh Fathers Name : Dasgirsab Shaikh House Number : 12/36/a Age : 49 Gender : Male</p> <p>Photo</p> <p>Available</p>	<p>694</p> <p>MXY1374487</p> <p>Name : Babyjan Shaikh Fathers Name : Kasimsab Shaikh House Number : 12/36/a Age : 43 Gender : Female</p> <p>Photo</p> <p>Available</p>
<p>695</p> <p>MXY1351543</p> <p>Name : Modinsab Shaikh Fathers Name : Rafik Shaikh House Number : 12/36/a Age : 37 Gender : Male</p> <p>Photo</p> <p>Available</p>	<p>696</p> <p>ZOV0287797</p> <p>Name : Mehaboob Subhani Atar Fathers Name : Sapura Atar House Number : 12/38/A Age : 35 Gender : Male</p> <p>Photo</p> <p>Available</p>	<p>697</p> <p>MXY1349489</p> <p>Name : Mumtaz Walikar Husbands Name : Abdul Gafar Walikar House Number : 12/38/a Age : 54 Gender : Female</p> <p>Photo</p> <p>Available</p>
<p>698</p> <p>ZOV0374231</p> <p>Name : BABAL ALI PATHAN Fathers Name : MAGBUL PATHAN House Number : 13/1 Age : 24 Gender : Male</p> <p>Photo</p> <p>Available</p>	<p>699</p> <p>ZOV0367599</p> <p>Name : Nazima Shaffi Sayyed Fathers Name : Kasimsab Ballari House Number : 13/1 Age : 33 Gender : Female</p> <p>Photo</p> <p>Available</p>	<p>S 700</p> <p>ZOV0238048</p> <p>Name : Asif Shaikh Fathers Name : Adam Shaikh House Number : 14/6 Age : 75 Gender : Male</p> <p>Photo</p> <p>Available</p>
<p>701</p> <p>ZOV0374249</p> <p>Name : MULLA ABDUL KARIM MUJAWAR Fathers Name : MULLA MOHAMMAD RAFIK MUJAWAR House Number : 16 Age : 24 Gender : Male</p> <p>Photo</p> <p>Available</p>	<p>702</p> <p>ZOV0238113</p> <p>Name : Pramod Sharma Fathers Name : Ramsavane Sharma House Number : 17 Age : 51 Gender : Male</p> <p>Photo</p> <p>Available</p>	<p>703</p> <p>ZOV0238089</p> <p>Name : Rubina Inamdar Husbands Name : Taufeeq Inamdar House Number : 17/E Age : 33 Gender : Female</p> <p>Photo</p> <p>Available</p>
<p>704</p> <p>ZOV0238071</p> <p>Name : Amina Shaikh Fathers Name : Ibrahim Shaikh House Number : 17/E Age : 55 Gender : Female</p> <p>Photo</p> <p>Available</p>	<p>705</p> <p>ZOV0238105</p> <p>Name : Ekbal Shaikh Fathers Name : Vahid Shaikh House Number : 17/E Age : 38 Gender : Male</p> <p>Photo</p> <p>Available</p>	<p>706</p> <p>ZOV0238097</p> <p>Name : Zameer Shaikh Fathers Name : Vahid Shaikh House Number : 17/E Age : 35 Gender : Male</p> <p>Photo</p> <p>Available</p>

707 Name : Almas Shaikh Husbands Name: Ekbal Shaikh House Number : 17/E Age : 34 Gender : Female Photo Available	ZOV0337758	708 Name : Vahid Shaikh Fathers Name: Abdul Gafar Shaikh House Number : 17-E Age : 60 Gender : Male Photo Available	ZOV0238063	709 Name : Najir Shaikh Fathers Name: Vahid Shaikh House Number : 17-E Age : 31 Gender : Male Photo Available	ZOV0331884
710 Name : Mahamad Arif Rattihalli Fathers Name: Mahamad Shafi Rattihalli House Number : 18 Age : 31 Gender : Male Photo Available	ZOV0290692	711 Name : Mehbubi Mulla Husbands Name: Basha Mulla House Number : 19/A1 Age : 51 Gender : Female Photo Available	ZOV0335869	712 Name : Khaikusha Mulla Husbands Name: Khatal Mulla House Number : 19/A1 Age : 48 Gender : Female Photo Available	ZOV0335877
713 Name : Kalina Mulla Fathers Name: Khatal Mulla House Number : 19/A1 Age : 27 Gender : Female Photo Available	ZOV0347807	714 Name : Suleman Mulla Fathers Name: Khatal Mulla House Number : 19/A1 Age : 22 Gender : Male Photo Available	ZOV0418012	715 Name : Abdul Raheman Tashildar Fathers Name: Abdul Karim Tashildar House Number : 20/1 Age : 31 Gender : Male Photo Available	ZOV0260414
716 Name : Sonali Guli Fathers Name: Basappa Guli House Number : 21/21 Age : 23 Gender : Female Photo Available	ZOV0386276	717 Name : Rafiq Jamadar Fathers Name: Hussain Jamadar House Number : 22-1 Age : 34 Gender : Male Photo Available	ZOV0431387	718 Name : Mehek Rehan Mulla Muzawar Husbands Name: Rehan Mulla Muzawar House Number : 26 Age : 23 Gender : Female Photo Available	ZOV0431304
719 Name : Riyaz Mulla Fathers Name: Nazuridin U Mulla House Number : 29 Age : 53 Gender : Male Photo Available	MXV9152737	720 Name : Taranoom Ankalewale Husbands Name: Sameer Ankalewale House Number : 31/3/A Age : 25 Gender : Female Photo Available	ZOV0439000	721 Name : Mahamadsadik Mathekhan Fathers Name: Nazirsab Mathekhan House Number : 31/5/A Age : 24 Gender : Male Photo Available	ZOV0423152
722 Name : Emad Shaikh Mothers Name: Ramtula Shaikh House Number : 34/1 Age : 21 Gender : Male Photo Available	ZOV0438150	S 723 Name : Malik Rehan Khan Mothers Name: Fatima Nasir Khan House Number : 36 Age : 23 Gender : Male DELETED	ZOV0423418	724 Name : Sunil Kamble Fathers Name: Satish Kamble House Number : 36/R Age : 30 Gender : Male Photo Available	ZOV0335547
725 Name : Sogara Kambargani Husbands Name: Rafique Kambargani House Number : 36/Uu Age : 31 Gender : Female Photo Available	ZOV0311886	726 Name : Rasida Khan Husbands Name: Chand Khan House Number : 37 Age : 92 Gender : Female Photo Available	ZOV0370395	727 Name : Chand Khan Fathers Name: Jhaur Khan House Number : 37 Age : 89 Gender : Male Photo Available	ZOV0369009
728 Name : Farida Sameer Desai Husbands Name: Sameer Adam Desai House Number : 39 Age : 37 Gender : Female Photo Available	ZOV0424424	729 Name : Shainaz Mutkappa Fathers Name: Zabi Ullah Mutkappa House Number : 50 Nagzar Age : 24 Gender : Female Photo Available	ZOV0419945	730 Name : Shabira Bellari Husbands Name: Kassimsab Bellari House Number : 61/2/C Age : 52 Gender : Female Photo Available	ZOV0354837
731 Name : Ningappa Hegde Fathers Name: Elappa Hegde House Number : 75 Age : 28 Gender : Male Photo Available	ZOV0334623	732 Name : Rizwan Mulla Muzawar Fathers Name: Mulla Abdul Razak Muzavor House Number : 189 Age : 34 Gender : Male Photo Available	ZOV0238121	733 Name : Abdul Razak Mulla Muzawar Fathers Name: Mulla Kashim Muzawar House Number : 189 Age : 68 Gender : Male Photo Available	ZOV0238139
734 Name : SANA KHATIB Husbands Name: SHAIKH SULEMAN KHATIB House Number : 212 Age : 27 Gender : Female Photo Available	ZOV0381541	735 Name : Nazameenbanu Fathers Name: Mohammed Hussain House Number : F-3 Age : 27 Gender : Female Photo Available	ZOV0357814	S 736 Name : Ashpak Mirambai Fathers Name: Irshad Mirambai House Number : G1/G2 Age : 31 Gender : Male DELETED	ZOV0266684

<p>737</p> <p>ZOV0431361</p> <p>Name : Deepti Naik Fathers Name: Suraj Naik House Number : H.no. 1/A Age : 22 Gender : Female</p> <p>Photo</p> <p>Available</p>	<p>738</p> <p>ZOV0431353</p> <p>Name : Abhi Naik Fathers Name: Suraj Naik House Number : H.No. 1/A Age : 20 Gender : Male</p> <p>Photo</p> <p>Available</p>	<p>739</p> <p>ZOV0443507</p> <p>Name : Simran Nurahmad Sakali Mothers Name: Arifabi Sakali House Number : H No.10 Age : 19 Gender : Female</p> <p>Photo</p> <p>Available</p>
<p>740</p> <p>ZOV0422600</p> <p>Name : Rafiq Tahashildar Fathers Name: Rehamansab Tahashildar House Number : H.no 11 Age : 21 Gender : Male</p> <p>Photo</p> <p>Available</p>	<p>741</p> <p>ZOV0443366</p> <p>Name : Tahesin Samiulla Attar Mothers Name: Tarana Mohamad Halsi House Number : H.No12/10 Nagzari Age : 19 Gender : Female</p> <p>Photo</p> <p>Available</p>	

<p>742 1 ZOV0338368</p> <p>Name : Sharifa Ansari Husbands Name: Nasim Ansari House Number : H. No. 27(2) Age : 41 Gender : Female</p> <p>Photo Available</p>	<p>743 1 ZOV0446377</p> <p>Name : SUBHAN MULLA MOHAMMAD MUJAWAR Fathers Name: MULLAM MOHAMAD RAFIK MUJAWAR House Number : H. No. 16 Age : 19 Gender : Male</p> <p>Photo Available</p>	<p>744 1 ZOV0447292</p> <p>Name : NURJAHAN PATTAN Fathers Name: AHMED PATTAN House Number : H No.13/1 Age : 27 Gender : Female</p> <p>Photo Available</p>
<p>745 1 ZOV0447300</p> <p>Name : SARJAHAN PATTAN Fathers Name: AHMED PATTAN House Number : H. No. 13/1 Age : 30 Gender : Female</p> <p>Photo Available</p>	<p>746 1 ZOV0447318</p> <p>Name : AYYOOB PATTAN Fathers Name: AHMED PATTAN House Number : H. No.13/1 Age : 37 Gender : Male</p> <p>Photo Available</p>	<p>747 1 YPS0267682</p> <p>Name : Mangala Anand Madkaikar Fathers Name: Anand Madkaikar House Number : h no 23 Age : 39 Gender : Female</p> <p>Photo Available</p>
<p>748 1 ZOV0310938</p> <p>Name : Faridha Makandar Fathers Name: Husenasab Makandar House Number : 13/1 Age : 40 Gender : Female</p> <p>Photo Available</p>	<p>749 1 ZOV0431569</p> <p>Name : Sajid Ansari Fathers Name: Abbas Ansari House Number : 23/1 Age : 28 Gender : Male</p> <p>Photo Available</p>	<p>750 1 ZOV0447847</p> <p>Name : JHARIYABI SHIKH Husbands Name: ASIF SHAIKH House Number : H NO 10 curti Age : 66 Gender : Female</p> <p>Photo Available</p>
<p>751 1 ZOV0448803</p> <p>Name : SHAFIAHMAD MALLAD Fathers Name: SAYED IMAMSAB MALLAD House Number : H. No. 8/2 Age : 34 Gender : Male</p> <p>Photo Available</p>	<p>752 1 ZOV0449413</p> <p>Name : AFTAB AJAS MULLA MUJAWAR Fathers Name: AJAS MULLA MUJAWAR House Number : H No 25/1 Age : 19 Gender : Male</p> <p>Photo Available</p>	<p>753 2 ZOV0449421</p> <p>Name : NIYAZ AHMED MULLA Fathers Name: ZABIULLA MULLA House Number : H No 11/33 Age : 19 Gender : Male</p> <p>Photo Available</p>
<p>754 1 ZOV0449504</p> <p>Name : MUSKAN SALIM KORWALE Fathers Name: Mohamad Salim KORWALE House Number : H NO.02 Age : 21 Gender : Female</p> <p>Photo Available</p>	<p>755 1 ZOV0449637</p> <p>Name : ABDULLAH SALIM KORWALE Fathers Name: Salim Korwale House Number : H No 02 Age : 18 Gender : Male</p> <p>Photo Available</p>	

SUMMARY OF ELECTORS							
A) NUMBER OF ELECTORS							
		Roll Type	Roll Identification	NUMBER OF ELECTORS			
				Male	Female	Third Gender	Total
I	Mother Roll	Mother Roll	Basic Roll of Special Summary Revision 2024 published on 27-10-2023 integrated with Additions, Deletions and Modifications carried out during Special Summary Revision 2024.	400	341	0	741
II	1- List of Additions	Supplement 1	Special Summary Revision 2024	7	7	0	14
III	2- List of Deletions	Supplement 1	Special Summary Revision 2024	31	20	0	51
IV	Difference due to modification in Gender field			0	0	0	0
Net Elector in this Roll after this Revision (I+II-III+IV)				376	328	0	704
B) NUMBER OF MODIFICATIONS							
Roll Type		Roll Identification		NUMBER OF MODIFICATIONS			
Supplement 1		Special Summary Revision 2024		6			

Signature of Electoral Registration Officer

E-Expired S-Shifted/Change of Residence R-Duplicate M-Missing Q-Disqualified