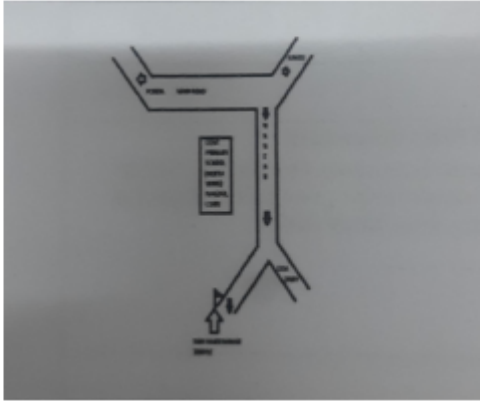


ELECTORAL ROLL 2024 S05 Goa

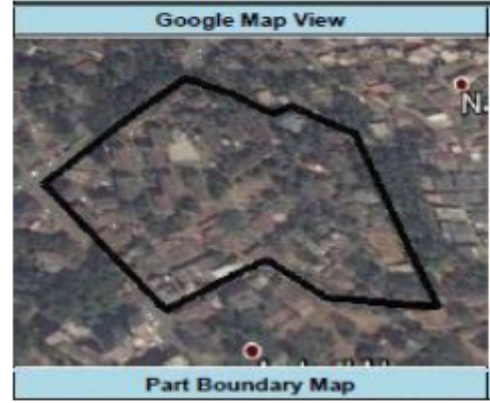
No. Name and Reservation Status of Assembly Constituency : 21 - PONDA (GEN)				Part No. : 19															
No. Name and Reservation Status of Parliamentary Constituency(ies) in which the Assembly Constituency is located : 2 - SOUTH GOA (GEN)																			
1. Details of Revision																			
Year of Revision	2024	Roll Identification																	
Qualifying Date	01-01-2024	Basic Roll of Special Summary Revision 2024 published on 27-10-2023 integrated with Additions, Deletions and Modifications carried out during Special Summary Revision 2024.																	
Type of revision	Special Summary Revision 2024																		
Date of Updation	05-01-2024																		
2. Details of part and polling area																			
No. and name of sections in the part																			
1-Antruznagar, Nagzar / Curti 2-Bazarmol, Nagzar / Curti		<table style="width: 100%; border-collapse: collapse;"> <tr> <td style="border-bottom: 1px solid black; width: 60%;">Main Town or Village</td> <td style="width: 40%;">: CURTI</td> </tr> <tr> <td>Post Office</td> <td>: PONDA</td> </tr> <tr> <td>Police Station</td> <td>: PONDA</td> </tr> <tr> <td>Block</td> <td>: PONDA</td> </tr> <tr> <td>Subdivision</td> <td>: PONDA</td> </tr> <tr> <td>District</td> <td>: SOUTH GOA</td> </tr> <tr> <td>Pin code</td> <td>: 403401</td> </tr> </table>				Main Town or Village	: CURTI	Post Office	: PONDA	Police Station	: PONDA	Block	: PONDA	Subdivision	: PONDA	District	: SOUTH GOA	Pin code	: 403401
Main Town or Village	: CURTI																		
Post Office	: PONDA																		
Police Station	: PONDA																		
Block	: PONDA																		
Subdivision	: PONDA																		
District	: SOUTH GOA																		
Pin code	: 403401																		
3. Polling station details																			
No. and Name of Polling Station :		Type of Polling Station (Male/Female/General)		General															
19 - Government Primary School(North Wing), Nagzar Curti Ponda Goa		Number of Auxiliary Polling Stations in this part :		0															
Address of Polling Station :																			
Government Primary School, Nagzar Curti Ponda Goa																			
4. NUMBER OF ELECTORS																			
Starting	Ending	Net Electors																	
Serial No.	Serial No.	Male	Female	Third Gender	Total														
1	663	326	323	0	649														

Signature of Electoral Registration Officer

Nazri Naksha



Google Map View



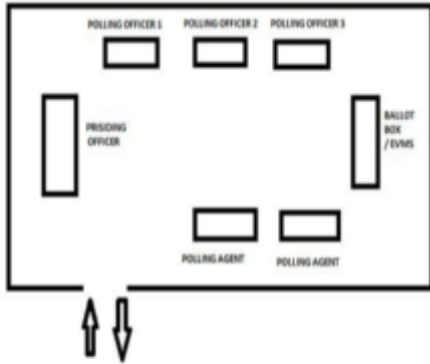
Polling Station Building Front View



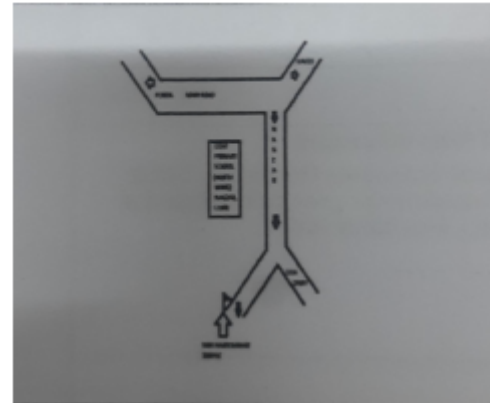
Polling Station Front View



Cad View



Key MAP View



1 Name : SHIVANI HOSAMATH Fathers Name: BASLINGA HOSAMATH House Number : 1 Age : 27 Gender : Female	ZOV0431056 Photo Available	2 Name : Nilima Nilesh Naik Husbands Name: Nilesh Naik House Number : 1 Age : 41 Gender : Female	ZOV0431106 Photo Available	3 Name : Philomena Fernandes Husbands Name: John Fernandes House Number : 1-53 Age : 75 Gender : Female	ZOV0182667 Photo Available
4 Name : Sandesh Naik Fathers Name: Babuso Naik House Number : 1-g 4o Age : 27 Gender : Male	ZOV0431130 Photo Available	5 Name : Jerome Mendes Fathers Name: Nazareth Mendes House Number : 5/1 Age : 69 Gender : Female	MXY1391457 Photo Available	6 Name : Anne Mendes Husbands Name: Jerome Mendes House Number : 5/1 Age : 65 Gender : Female	MXY1391317 Photo Available
7 Name : Unnikrishnan Kannankulangara Fathers Name: Shankunni Adambattu House Number : 06 Age : 85 Gender : Male	ZOV0261651 Photo Available	8 Name : Meghana Sadekar Fathers Name: Govind Sadekar House Number : 6 Age : 20 Gender : Female	ZOV0431221 Photo Available	9 Name : Tabasum Abdul Razak Mussavar Husbands Name: Farzan Mulla House Number : 7 Age : 44 Gender : Female	MXY1371699 Photo Available
10 Name : Mulam Abdul Mannan Mulam Fathers Name: Mulla Mohammad Saliam Mulla House Number : 7 Age : 53 Gender : Male	MXY1371681 Photo Available	11 Name : Farzan Mulla Fathers Name: Mohamad Mulla House Number : 7 Age : 51 Gender : Male	MXY1371715 Photo Available	12 Name : Zameer Mulla Fathers Name: Mohamad Mulla House Number : 7 Age : 49 Gender : Male	MXY1390756 Photo Available
13 Name : Nafisa Mulla Husbands Name: Abdul Mulla House Number : 7 Age : 44 Gender : Female	ZOV0280057 Photo Available	14 Name : Achyut Naik Fathers Name: Krishna Naik House Number : 11 Age : 75 Gender : Male	ZOV0237578 Photo Available	15 Name : Umedali Lakhani Fathers Name: Gulamali Lakhani House Number : 12 Age : 73 Gender : Male	ZOV0346221 Photo Available
16 Name : Yasmin Lakhani Husbands Name: Umedali Lakhani House Number : 12 Age : 65 Gender : Female	ZOV0347393 Photo Available	17 Name : Hasanali Lakhani Fathers Name: Umedali Lakhani House Number : 12 Age : 37 Gender : Male	ZOV0346239 Photo Available	18 Name : Ankita Lakhani Husbands Name: Hasanali Lakhani House Number : 12 Age : 31 Gender : Female	ZOV0346205 Photo Available
19 Name : Babasaheb Patil Fathers Name: Shivaji Patil House Number : 13 Age : 43 Gender : Male	ZOV0237586 Photo Available	20 Name : Jyoti Patil Husbands Name: Babasaheb Patil House Number : 13 Age : 41 Gender : Female	ZOV0311878 Photo Available	21 Name : Subin Balagopal Fathers Name: Balagopalan KP House Number : 13 UB-4, Desai Building Age : 26 Gender : Male	ZOV0416347 Photo Available
S 22 Name : Sandra Fernandes Fathers Name: Braim Fernandes House Number : 19 Age : 35 Gender : Female	ZOV0237594 Photo Available	23 Name : Sujata Hugar Fathers Name: Subhash Hugar House Number : 19 Age : 33 Gender : Female	ZOV0431098 Photo Available	24 Name : Chandan Nadkarni Fathers Name: Jayraj Nadkarni House Number : 21 Age : 22 Gender : Female	ZOV0415539 Photo Available
S 25 Name : NAGEENA BANIK Husbands Name: JAVED R. B. MUNAF House Number : 24/4 Age : 26 Gender : Female	ZOV0378661 Photo Available	26 Name : Baburao Desai Fathers Name: Govind Desai House Number : 25 Age : 80 Gender : Male	ZOV0407288 Photo Available	27 Name : Ganga Desai Husbands Name: Baburao Desai House Number : 25 Age : 73 Gender : Female	ZOV0407270 Photo Available
28 Name : Arvind Desai Fathers Name: Baburao Desai House Number : 25 Age : 43 Gender : Male	MXY1248368 Photo Available	29 Name : Ratan Patil Fathers Name: Devappa Patil House Number : 25 Age : 64 Gender : Male	MXY7753023 Photo Available	30 Name : Saroja Patil Husbands Name: Ratan Patil House Number : 25 Age : 59 Gender : Female	MXY7753031 Photo Available

<p>31</p> <p>ZOV0237610</p> <p>Name : Smita Patil Fathers Name: Ratan Patil House Number : 25 Age : 34 Gender : Female</p> <p>Photo</p> <p>Available</p>	<p>32</p> <p>ZOV0237602</p> <p>Name : Devendra Patil Fathers Name: Ratan Patil House Number : 25 Age : 33 Gender : Male</p> <p>Photo</p> <p>Available</p>	<p>33</p> <p>ZOV0437764</p> <p>Name : Husna M Kuppelur Fathers Name: Ibrahim Kuppelur House Number : 28 Age : 20 Gender : Female</p> <p>Photo</p> <p>Available</p>
<p>34</p> <p>ZOV0431114</p> <p>Name : Pooja Mali Husbands Name: Vishal Mali House Number : 28 Age : 20 Gender : Female</p> <p>Photo</p> <p>Available</p>	<p>35</p> <p>ZOV0383448</p> <p>Name : Taranuvur Mulla Fathers Name: Moinuddin Mulla House Number : 28/9 Age : 24 Gender : Female</p> <p>Photo</p> <p>Available</p>	<p>36</p> <p>ZOV0426312</p> <p>Name : Vishal Suresh Mali Fathers Name: Suresh Mali House Number : 28 Ground Floor Age : 23 Gender : Male</p> <p>Photo</p> <p>Available</p>
<p>37</p> <p>ZOV0426320</p> <p>Name : Akshay Ankush Mali Fathers Name: Ankush mali House Number : 28, Ground floor Age : 21 Gender : Male</p> <p>Photo</p> <p>Available</p>	<p>38</p> <p>ZOV0425744</p> <p>Name : Sunita Tompe Husbands Name: Bharat Tompe House Number : 29 Age : 48 Gender : Female</p> <p>Photo</p> <p>Available</p>	<p>39</p> <p>ZOV0419309</p> <p>Name : Rafikahimad Shaikh Fathers Name: Nazieahimad Shaikh House Number : 31 Age : 41 Gender : Male</p> <p>Photo</p> <p>Available</p>
<p>40</p> <p>ZOV0237636</p> <p>Name : Shivangi Naik Fathers Name: Shrikant Naik House Number : 41 Age : 34 Gender : Female</p> <p>Photo</p> <p>Available</p>	<p>41</p> <p>ZOV0415547</p> <p>Name : Anjali Shelar Fathers Name: Ramesh shelar House Number : 44 Age : 23 Gender : Female</p> <p>Photo</p> <p>Available</p>	<p>42</p> <p>ZOV0151639</p> <p>Name : Ganesh Hede Fathers Name: Anant Hede House Number : 47 Age : 55 Gender : Male</p> <p>Photo</p> <p>Available</p>
<p>43</p> <p>MXY1322734</p> <p>Name : Savita Hede Husbands Name: Ganesh Hede House Number : 47 Age : 47 Gender : Female</p> <p>Photo</p> <p>Available</p>	<p>44</p> <p>ZOV0438085</p> <p>Name : Ganesh Sawant Fathers Name: Raghuvir Sawant House Number : 47 Age : 52 Gender : Male</p> <p>Photo</p> <p>Available</p>	<p>45</p> <p>ZOV0438093</p> <p>Name : Ganika Sawant Husbands Name: Ganesh Sawant House Number : 47 LA/5 Age : 50 Gender : Female</p> <p>Photo</p> <p>Available</p>
<p>46</p> <p>ZOV0237669</p> <p>Name : Devi N Reddy Fathers Name: K V Nagaraja Reddy House Number : 52 Age : 59 Gender : Female</p> <p>Photo</p> <p>Available</p>	<p>47</p> <p>ZOV0305714</p> <p>Name : Poomima Yaragatti Fathers Name: Ravi Yaragatti House Number : 53 Age : 29 Gender : Female</p> <p>Photo</p> <p>Available</p>	<p>48</p> <p>GQK1850494</p> <p>Name : Sitaram Manerikar Others : Mugdha Manerikar House Number : 104-B Age : 40 Gender : Male</p> <p>Photo</p> <p>Available</p>
<p>49</p> <p>ZMQ2496412</p> <p>Name : Amruta Bale Husbands Name: Sujay Bale House Number : 203 Sumit Mount 5 Age : 29 Gender : Female</p> <p>Photo</p> <p>Available</p>	<p>50</p> <p>ZOV0261719</p> <p>Name : Ranjith Damodaran Fathers Name: Damodaran Padmanabhan House Number : 22 Age : 45 Gender : Male</p> <p>Photo</p> <p>Available</p>	<p>51</p> <p>ZOV0237685</p> <p>Name : Pradeep Shedgulkar Fathers Name: Ganpati Shedgulkar House Number : B-2 Age : 49 Gender : Male</p> <p>Photo</p> <p>Available</p>
<p>52</p> <p>ZOV0237693</p> <p>Name : Durga Shedgulkar Husbands Name: Pradeep Shedgulkar House Number : B-2 Age : 44 Gender : Female</p> <p>Photo</p> <p>Available</p>	<p>53</p> <p>ZOV0380097</p> <p>Name : Sonal Shedgulkar Fathers Name: Pradeep Shedgulkar House Number : B-2 Age : 23 Gender : Male</p> <p>Photo</p> <p>Available</p>	<p>54</p> <p>ZOV0201079</p> <p>Name : Shakuntala Parab Husbands Name: Kalidas Parab House Number : B-7 Age : 71 Gender : Female</p> <p>Photo</p> <p>Available</p>
<p>55</p> <p>MXY9156530</p> <p>Name : Vishal Parab Fathers Name: Kalidas Parab House Number : B-7 Age : 47 Gender : Male</p> <p>Photo</p> <p>Available</p>	<p>56</p> <p>CMG8439994</p> <p>Name : Arti Parab Husbands Name: Vishal Parab House Number : B-7 Age : 45 Gender : Female</p> <p>Photo</p> <p>Available</p>	<p>57</p> <p>ZOV0407254</p> <p>Name : Ramesh Parkar Fathers Name: Rajaram Parkar House Number : D-23 Age : 70 Gender : Male</p> <p>Photo</p> <p>Available</p>
<p>58</p> <p>ZOV0313957</p> <p>Name : Rajeshri Parkar Husbands Name: Ramesh Parkar House Number : D-23 Age : 67 Gender : Female</p> <p>Photo</p> <p>Available</p>	<p>59</p> <p>ZOV0151548</p> <p>Name : Kapil Parkar Fathers Name: Ramesh Parkar House Number : D-23 Age : 37 Gender : Male</p> <p>Photo</p> <p>Available</p>	<p>60</p> <p>ZOV0431262</p> <p>Name : Shridhar Patil Fathers Name: Ashok Patil House Number : Flat No LD 19 Age : 36 Gender : Male</p> <p>Photo</p> <p>Available</p>

61	MXY1371475	Name : Govind Desai Fathers Name: Baburao Desai House Number : Flat No ME 27 Age : 45 Gender : Male	Photo Available	62	ZOV0197202	Name : Gauri Desai Husbands Name: Govind Desai House Number : FLAT NO ME 27 Age : 40 Gender : Female	Photo Available	63	MXY1367929	Name : Rohini Halarnakar Husbands Name: Rohidas Halarnakar House Number : F-28 Age : 71 Gender : Female	Photo Available
64	MXY1351618	Name : Rajesh Halarnakar Fathers Name: Rohidas Halarnakar House Number : F-28 Age : 59 Gender : Male	Photo Available	65	MXY1378900	Name : Radhika Halarnakar Husbands Name: Rajesh Halarnakar House Number : F-28 Age : 53 Gender : Female	Photo Available	66	MXY1376896	Name : Rupesh Halarnakar Fathers Name: Rohidas Halarnakar House Number : F-28 Age : 44 Gender : Male	Photo Available
67	ZOV0357327	Name : Ruchika Halarnker Husbands Name: Upesh Halarnker House Number : F-28 Age : 37 Gender : Female	Photo Available	68	ZOV0407197	Name : Anand Bondre Fathers Name: Datta Bondre House Number : F-35 Age : 69 Gender : Male	Photo Available	69	ZOV0204792	Name : Rekha Bondre Husbands Name: Anand Bondre House Number : F-35 Age : 65 Gender : Female	Photo Available
70	MXY1366814	Name : Prayag Bondre Fathers Name: Anand Bondre House Number : F-35 Age : 39 Gender : Male	Photo Available	71	ZOV0151480	Name : Dattaprasad Shet Bondre Fathers Name: Anand Bondre House Number : F-35 Age : 40 Gender : Male	Photo Available	72	ZOV0325357	Name : Siddeshwar Sutar Fathers Name: Uman Sutar House Number : F-36 Age : 55 Gender : Male	Photo Available
73	ZOV0325340	Name : Nutan Sutar Fathers Name: Siddeshwar Sutar House Number : Flat No. MF -36 Age : 29 Gender : Female	Photo Available	74	ZOV0431064	Name : Prerna Gauncar Fathers Name: Ramakant Gaonkar House Number : Flat No.LH-45 Age : 20 Gender : Female	Photo Available	75	ZOV0431189	Name : SURESH KUMAR KUMAWAT Fathers Name: DURGA PRASAD KUMAWAT House Number : FLAT NO. A-103, WING A Age : 32 Gender : Male	Photo Available
76	SLI0403071	Name : Rola Ventura Cruz Fathers Name: Ventura Kajmil Cruz House Number : Flat No B-304 Age : 44 Gender : Male	Photo Available	77	TRW0305482	Name : Sandhya Vishal Khorjuvekar Husbands Name: Vishal Khorjuvekar House Number : GI-42 Age : 36 Gender : Female	Photo Available	78	ZOV0216705	Name : Chandrakant Khorjuvekar Fathers Name: Tukaram Khorjuvekar House Number : GI-42 Age : 74 Gender : Male	Photo Available
79	ZOV0216713	Name : Shevanti Khorjuvekar Husbands Name: Chandrakant Khorjuvekar House Number : GI-42 Age : 67 Gender : Female	Photo Available	80	ZOV0277665	Name : Vishal Khorjuvekar Fathers Name: Chandrakant Khorjuvekar House Number : GI-42 Age : 40 Gender : Male	Photo Available	81	ZOV0422972	Name : Divya Shelar Husbands Name: Ramesh Shelar House Number : H.no 0 Antruz Nagar Age : 47 Gender : Female	Photo Available
82	ZOV0422741	Name : Aarti Ramesh Shelar Others: Anjali Shelar House Number : H.no 0 Antruz Nagar Age : 21 Gender : Female	Photo Available	83	ZOV0378455	Name : Hajarabi Shaikh Husbands Name: Rafiq Najrahmed Shaikh House Number : H No 31 Age : 36 Gender : Female	Photo Available	84	ZOV0067611	Name : Rajeshri Gaude Husbands Name: Raghunath Gaude House Number : H-33 Age : 59 Gender : Female	Photo Available
85	ZOV0407171	Name : Tukaram Patil Fathers Name: Badku Patil House Number : H-34 Age : 81 Gender : Male	Photo Available	86	ZOV0407163	Name : Suman Patil Husbands Name: Tukaram Patil House Number : H-34 Age : 75 Gender : Female	Photo Available	87	ZOV0252619	Name : Shailesh Patil Fathers Name: Tukaram Patil House Number : H-34 Age : 43 Gender : Male	Photo Available
88	ZOV0074179	Name : Disha Naik Husbands Name: Deepak Naik House Number : H-44 Age : 49 Gender : Female	Photo Available	89	ZOV0216739	Name : Laxmi Borkar Husbands Name: Sadhanand Borkar House Number : H-45 Age : 74 Gender : Female	Photo Available	90	ZOV0216747	Name : Rajesh Borkar Fathers Name: Sadhanand Borkar House Number : H-45 Age : 51 Gender : Male	Photo Available

91 Name : Dinesh Borkar Fathers Name: Sadhanand Borkar House Number : H-45 Age : 50 Gender : Male Photo Available	ZOV0216754	92 Name : Prakash Gaokar Fathers Name: Dulba Gaokar House Number : H-46 Age : 67 Gender : Male Photo Available	ZOV0201525	93 Name : Poonam Gaokar Husbands Name: Prakash Gaokar House Number : H-46 Age : 62 Gender : Female Photo Available	ZOV0201533
94 Name : Ziya Munnoli Fathers Name: Khailahmad Munnoli House Number : H NO 32/2 Age : 20 Gender : Female Photo Available	ZOV0431296	95 Name : Sujay Bale Fathers Name: Sudhir Bale House Number : HNO203 SUMIT MOUNT 5 Age : 33 Gender : Male Photo Available	RJD3763430	96 Name : Lourdes Fonseca Husbands Name: Richard Fernandes House Number : I-53 Age : 55 Gender : Female Photo Available	ZOV0237701
97 Name : Shashikala Mandrekar Husbands Name: Madhu Mandrekar House Number : La-1 Age : 73 Gender : Female Photo Available	MXY0250381	98 Name : Ashabi Shaikh Husbands Name: Hussien Shaikh House Number : La-2 Age : 75 Gender : Female Photo Available	FXC2754687	99 Name : Reshma Shaikh Fathers Name: Hussien Shaikh House Number : La-2 Age : 41 Gender : Female Photo Available	FXC2754661
S 100 Name : Maria Fernandes Husbands Name: Brian Fernandes House Number : La-3 Age : 61 Gender : Female DELETED Photo Available	ZOV0181362	S 101 Name : Sawiya Fernandes Fathers Name: Brian Fernandes House Number : La-3 Age : 37 Gender : Female DELETED Photo Available	ZOV0181420	102 Name : Kalpana Gaonkar Husbands Name: Kashinath Gaonkar House Number : La-6 Age : 60 Gender : Female Photo Available	ZOV0334482
103 Name : Ashwini Gaonkar Fathers Name: Kashinath Gaonkar House Number : La-6 Age : 35 Gender : Female Photo Available	ZOV0201087	104 Name : Ulhas Naik Fathers Name: Bhiku Naik House Number : L-B-9 Age : 52 Gender : Male Photo Available	JFF2151843	105 Name : Amita Naik Husbands Name: Ulhas Naik House Number : L-B-9 Age : 39 Gender : Female Photo Available	RCA0220772
106 Name : KAMALAKAR BAKRE Fathers Name: DATTATRAY BAKRE House Number : L-B-11 Age : 79 Gender : Male Photo Available	ZOV0376483	107 Name : Suresh Pawar Fathers Name: Shivaji Pawar House Number : L/B 12 Age : 57 Gender : Male Photo Available	ZOV0299537	108 Name : Surekha Pawar Husbands Name: Suresh Pawar House Number : L/B 12 Age : 50 Gender : Female Photo Available	ZOV0299545
109 Name : Pallavi Pawar Fathers Name: Suresh Pawar House Number : L/B 12 Age : 30 Gender : Female Photo Available	ZOV0297689	110 Name : Kishor Pawar Fathers Name: Suresh Pawar House Number : L/B 12 Age : 29 Gender : Male Photo Available	ZOV0308643	111 Name : Pradnya Pawar Fathers Name: Suresh Pawar House Number : L/B 12 Age : 26 Gender : Female Photo Available	ZOV0357947
112 Name : Rahdip Borkar Fathers Name: Gurudas Borkar House Number : L-c-14 Age : 36 Gender : Male Photo Available	MXY1367028	113 Name : Gurudas Borkar Fathers Name: Dharma Borkar House Number : Lf 14 Age : 69 Gender : Male Photo Available	ZOV0400358	114 Name : Sudha Borkar Husbands Name: Gurudas Borkar House Number : Lf 14 Age : 64 Gender : Female Photo Available	ZOV0400341
115 Name : Disha Benke Fathers Name: Rajesh Benke House Number : L C 15 Age : 20 Gender : Female Photo Available	ZOV0443721	116 Name : Rajesh Benake Fathers Name: S. Benake House Number : L-C-15 Age : 49 Gender : Male Photo Available	ZOV0261693	117 Name : Sandhya Benake Husbands Name: Rajesh Benake House Number : L-C-15 Age : 45 Gender : Female Photo Available	ZOV0261685
118 Name : Heena Kousar Saikalgar Fathers Name: Abdul Gafoor Saikalgar House Number : L.C.-18 Age : 29 Gender : Female Photo Available	ZOV0339184	119 Name : Ijaz Ahmed Saikalgar Fathers Name: Abdul Gafoor Saikalgar House Number : L.C.-18 Age : 27 Gender : Male Photo Available	ZOV0339192	120 Name : Abdul Gafor Saikalgar Fathers Name: Ibrahim Saikalgar House Number : L.C-18 Age : 60 Gender : Male Photo Available	MXY8873788

121	ZOV0367755	Name : Wasim Akram Saikalgar Fathers Name: Abdul Gafur Saikalgar House Number : Lc-18 Age : 25 Gender : Male	Photo Available	122	ZOV0152868	Name : Amina Bi Saikalger Husbands Name: Ibrahim Saikalger House Number : Lc-18 Age : 69 Gender : Female	Photo Available	123	MXY8873796	Name : Rehmat Bi Saikalger Husbands Name: Abdul Gafur Saikalgar House Number : Lc-18 Age : 49 Gender : Female	Photo Available
124	MXY1356468	Name : Jabeer Saikalger Fathers Name: Ibrahim Saikalger House Number : Lc-18 Age : 39 Gender : Male	Photo Available	125	ZOV0060665	Name : Santosh Shirodkar Fathers Name: A. Shirodkar House Number : Ld 21 Age : 69 Gender : Male	Photo Available	126	ZOV0067470	Name : Suchita Shirodkar Husbands Name: Santosh Shirodkar House Number : Ld 21 Age : 64 Gender : Female	Photo Available
127	MXY1368984	Name : Ajit Shirodkar Fathers Name: A. Shirodkar House Number : Ld 21 Age : 54 Gender : Male	Photo Available	128	ZOV0346247	Name : Sumeet Shirodkar Fathers Name: Santosh Shirodkar House Number : Ld 21 Age : 29 Gender : Male	Photo Available	129	ZOV0330571	Name : Sankar Malakar Fathers Name: Amulya Malakar House Number : Ld-22 Age : 51 Gender : Male	Photo Available
130	ZOV0201095	Name : Devayani Volvoikar Husbands Name: Dattaguru Volvoikar House Number : Le 27 Age : 74 Gender : Female	Photo Available	131	MXY1325919	Name : Chandan Volvoikar Fathers Name: Dattaguru Volvoikar House Number : Le 27 Age : 46 Gender : Male	Photo Available	132	MXY1350230	Name : Sagar Volvoikar Fathers Name: Dattaguru Volvoikar House Number : Le 27 Age : 44 Gender : Male	Photo Available
133	ZOV0303529	Name : Chanda Volvoikar Husbands Name: Chandan Volvoikar House Number : Le 27 Age : 43 Gender : Female	Photo Available	134	TRW0278663	Name : Yogita Volvoikar Husbands Name: Sagar Volvoikar House Number : Le-27 Age : 35 Gender : Female	Photo Available	135	ZOV0400333	Name : Shrinivas Hardikar Fathers Name: Devidas Hardikar House Number : Lf 33 Age : 69 Gender : Male	Photo Available
136	ZOV0400325	Name : Surashree Hardikar Husbands Name: Shrinivas Hardikar House Number : Lf 33 Age : 59 Gender : Female	Photo Available	137	ZOV0346197	Name : Shriyanka Hardikar Fathers Name: Shrinivas Hardikar House Number : Lf 33 Age : 26 Gender : Female	Photo Available	138	ZOV0355966	Name : Shreyas Hardikar Fathers Name: Shrinivas Hardikar House Number : Lf 33 Age : 25 Gender : Male	Photo Available
139	ZOV0299552	Name : Shrutika Hardikar Fathers Name: Shrinivas Hardikar House Number : L-F- 33 Age : 31 Gender : Female	Photo Available	140	MXY1356856	Name : Basavraj Patil Fathers Name: Balagouda Patil House Number : Lf 34 Age : 42 Gender : Male	Photo Available	141	MXY1320951	Name : Samiksha Kerkar Husbands Name: Simalesh Kerkar House Number : Lg 39 Age : 37 Gender : Female	Photo Available
142	ZOV0151605	Name : Shantaram Kerkar Fathers Name: Krishna Kerkar House Number : L-G-39 Age : 81 Gender : Male	Photo Available	143	ZOV0151621	Name : Sumitra Kerkar Husbands Name: Shantaram Kerkar House Number : L-G-39 Age : 72 Gender : Female	Photo Available	144	ZOV0207803	Name : Simalesh Kerkar Fathers Name: Shantaram Kerkar House Number : L-G-39 Age : 41 Gender : Male	Photo Available
145	ZOV0407049	Name : Vitthal Parab Fathers Name: Rajaram Parab House Number : L-H-44 Age : 70 Gender : Male	Photo Available	146	ZOV0407031	Name : Vaishali Parab Husbands Name: Vitthal Parab House Number : L-H-44 Age : 61 Gender : Female	Photo Available	147	ZOV0407072	Name : Ramakant Shaba Gaonkar Fathers Name: Shamba Gaonkar House Number : L-45 Age : 55 Gender : Male	Photo Available
148	ZOV0437921	Name : Purval Kamble Fathers Name: Vijay Kamble House Number : L/H 47 Age : 20 Gender : Male	Photo Available	# 149	ZOV0426361	Name : Surekha Kamble Husbands Name: Vijay Kamble House Number : LH 47 Age : 47 Gender : Female	Photo Available	150	MXY1376672	Name : Suleman Shaikh Fathers Name: Kasimsab Shaikh House Number : Lh-48 Age : 49 Gender : Male	Photo Available

<p>151</p> <p>MX Y1359264</p> <p>Name : Shalababu Shaikh Husbands Name : Suleman Shaikh House Number : Lh-48 Age : 45 Gender : Female</p> <p>Photo Available</p>	<p>152</p> <p>ZOV0299578</p> <p>Name : Munira Begum Mannasaheb Husbands Name : Ismail Mannasaheb House Number : Lig-52 Age : 75 Gender : Female</p> <p>Photo Available</p>	<p>153</p> <p>ZOV0151589</p> <p>Name : Ida D'Sa Husbands Name : Charles D'Sa House Number : L-54 Age : 69 Gender : Female</p> <p>Photo Available</p>
<p>154</p> <p>ZOV0151571</p> <p>Name : Cliff Mart Trevor D'Sa Fathers Name : Charles D'Sa House Number : L-54 Age : 45 Gender : Male</p> <p>Photo Available</p>	<p>155</p> <p>MX Y1372937</p> <p>Name : Selvin D'sa Fathers Name : Charles D'sa House Number : L-54 Age : 44 Gender : Male</p> <p>Photo Available</p>	<p>156</p> <p>ZOV0261727</p> <p>Name : Milan Prabhu Husbands Name : Vithal Prabhu House Number : Lig-1-55 Age : 54 Gender : Female</p> <p>Photo Available</p>
<p>157</p> <p>ZOV0431080</p> <p>Name : Vaishnavi Prabhu Fathers Name : Vithal Prabhu House Number : LIG-1/55 Age : 20 Gender : Female</p> <p>Photo Available</p>	<p>158</p> <p>ZOV0261701</p> <p>Name : Vithal Prabhu Fathers Name : Gopal Prabhu House Number : Lig-1-55 Age : 59 Gender : Male</p> <p>Photo Available</p>	<p>159</p> <p>ZOV0248278</p> <p>Name : Savita Gaonkar Husbands Name : Ramakant Gaonkar House Number : L4-45 Age : 49 Gender : Female</p> <p>Photo Available</p>
<p>160</p> <p>ZOV0366344</p> <p>Name : Ravindra Desai Fathers Name : Yashavantrao Desai House Number : M-A-1 Age : 48 Gender : Male</p> <p>Photo Available</p>	<p>161</p> <p>MX Y1315696</p> <p>Name : Iramma Rogi Husbands Name : Mallikarjun Rogi House Number : Ma-1 Age : 39 Gender : Female</p> <p>Photo Available</p>	<p>162</p> <p>MX Y1315688</p> <p>Name : Mallikarjun Rugi Fathers Name : Basappa Rugi House Number : Ma-1 Age : 47 Gender : Male</p> <p>Photo Available</p>
<p>163</p> <p>ZOV0201988</p> <p>Name : Prasad Naik Fathers Name : Krishna Nanda Naik House Number : Ma-3 Age : 64 Gender : Male</p> <p>Photo Available</p>	<p>164</p> <p>ZOV0201996</p> <p>Name : Lalita Prasad Naik Husbands Name : Prasad K. Naik House Number : Ma-3 Age : 62 Gender : Female</p> <p>Photo Available</p>	<p>165</p> <p>ZOV0249938</p> <p>Name : Mahesh Nadkarni Fathers Name : Digambar Nadkarni House Number : M-A-4 Age : 56 Gender : Male</p> <p>Photo Available</p>
<p>166</p> <p>ZOV0280081</p> <p>Name : Dinesh Nadkarni Fathers Name : Digambar Nadkarni House Number : M-A-4 Age : 53 Gender : Male</p> <p>Photo Available</p>	<p>167</p> <p>ZOV0304410</p> <p>Name : Vaishnavi Gauns Fathers Name : Rajaram Gauns House Number : Mi-S4 Age : 33 Gender : Female</p> <p>Photo Available</p>	<p>168</p> <p>ZOV0299560</p> <p>Name : Betu Alias Vaishnav Gauns Fathers Name : Rajaram Gauns House Number : Mi-S4 Age : 31 Gender : Male</p> <p>Photo Available</p>
<p>169</p> <p>ZOV0200733</p> <p>Name : Yallappa Bidikar Fathers Name : Ningappa Bidikar House Number : Ma5 Age : 69 Gender : Male</p> <p>Photo Available</p>	<p>170</p> <p>ZOV0200741</p> <p>Name : Sarita Bidikar Husbands Name : Yallappa Bidikar House Number : Ma5 Age : 60 Gender : Female</p> <p>Photo Available</p>	<p>171</p> <p>ZOV0286716</p> <p>Name : Pooja Bidikar Fathers Name : Yallappa Bidikar House Number : Ma5 Age : 30 Gender : Female</p> <p>Photo Available</p>
<p>172</p> <p>ZOV0339325</p> <p>Name : Tejaswini Bidikar Fathers Name : Yallappa Bidikar House Number : Ma5 Age : 28 Gender : Female</p> <p>Photo Available</p>	<p>173</p> <p>ZOV0435735</p> <p>Name : SIDHARTH BIDIKAR Fathers Name : YALLAPPA BIDIKAR House Number : MA-5 Age : 22 Gender : Male</p> <p>Photo Available</p>	<p>174</p> <p>ZOV0280073</p> <p>Name : Rajesh Tigadi Fathers Name : Vasant Tigadi House Number : Ma-6 Age : 55 Gender : Male</p> <p>Photo Available</p>
<p>175</p> <p>MX Y0273292</p> <p>Name : Avinash Tigadi Fathers Name : Vasant Tigadi House Number : Ma-6 Age : 45 Gender : Male</p> <p>Photo Available</p>	<p>176</p> <p>ZOV0237768</p> <p>Name : Avita Tigadi Husbands Name : Avinash Tigadi House Number : Ma-6 Age : 36 Gender : Female</p> <p>Photo Available</p>	<p>177</p> <p>ZOV0151498</p> <p>Name : Mulam Mamod Saliam Fathers Name : Mulam Xec Ismail House Number : Mb-7 Age : 85 Gender : Male</p> <p>Photo Available</p>
<p>178</p> <p>ZOV0074278</p> <p>Name : Ishwari Kumar Husbands Name : Senthil Kumar House Number : M.L.G. B-9 Age : 42 Gender : Female</p> <p>Photo Available</p>	<p>179</p> <p>ZOV0151456</p> <p>Name : Deelip Mangaonkar Fathers Name : Manu Mangaonkar House Number : Mb-9 Age : 59 Gender : Male</p> <p>Photo Available</p>	<p>180</p> <p>ZOV0151449</p> <p>Name : Diksha Mangaonkar Husbands Name : Deelip Mangaonkar House Number : Mb-9 Age : 55 Gender : Female</p> <p>Photo Available</p>

181 Name : Pranav Mangaonkar Fathers Name: Deelip Mangaonkar House Number : Mb-9 Age : 27 Gender : Male	ZOV0331769 Photo Available	182 Name : S.Senthil Kumar Kumar Fathers Name: V.Siva Saran Kumar House Number : Miglb-9 Age : 43 Gender : Male	ZOV0237784 Photo Available	183 Name : Hafiza Mulla Husbands Name: Zameer Mulla House Number : M.B-07 Age : 45 Gender : Female	ZOV0237750 Photo Available
184 Name : Sainath Pai Fathers Name: Rajaram Pai House Number : M-C-15 Age : 58 Gender : Male	MXY0915033 Photo Available	185 Name : Seema Pai Husbands Name: Sayinath Pai House Number : Mc-15 Age : 53 Gender : Female	MXY0915025 Photo Available	186 Name : Shubham Pai Fathers Name: Sainath Pai House Number : Mc-15 Age : 27 Gender : Male	ZOV0331728 Photo Available
187 Name : Swati Shenoy Husbands Name: Premanand Shenoy House Number : M C-16 Age : 64 Gender : Female	ZOV0216770 Photo Available	188 Name : Premanand Shenoy Fathers Name: Vaikunth Shenoy House Number : Mc-16 Age : 74 Gender : Male	ZOV0216762 Photo Available	189 Name : Sanket Shenoy Fathers Name: I. Premanand Shenoy House Number : Mc-16 Age : 27 Gender : Male	ZOV0331744 Photo Available
190 Name : Domnic Savio Queiroz Fathers Name: Fernando Queiroz House Number : Ma-17 Age : 65 Gender : Male	MXY0054379 Photo Available	191 Name : Maria Celine Queiroz Husbands Name: Domnic Queiroz House Number : Ma-17 Age : 61 Gender : Female	ZOV0400317 Photo Available	192 Name : Saloni Queiroz Fathers Name: Domnic Queiroz House Number : Mc-17 Age : 32 Gender : Female	ZOV0238147 Photo Available
193 Name : Sapna Naik Bandothkar Fathers Name: Shrikant Naik Bandothkar House Number : Mc-18 Age : 40 Gender : Female	ZOV0060681 Photo Available	194 Name : Damodar Naik Fathers Name: Govind Naik House Number : Ma-19 Age : 79 Gender : Male	ZOV0252627 Photo Available	195 Name : Usha Naik Husbands Name: Damodar Naik House Number : Ma-19 Age : 73 Gender : Female	ZOV0252635 Photo Available
196 Name : Prema Naik Husbands Name: Devdatt Naik House Number : Ma-19 Age : 47 Gender : Female	ZOV0252650 Photo Available	197 Name : Devdatt Naik Fathers Name: Damodar Naik House Number : Ma-19 Age : 47 Gender : Male	ZOV0252643 Photo Available	198 Name : Devashish Naik Fathers Name: Damodar Naik House Number : Ma-19 Age : 38 Gender : Male	ZOV0252668 Photo Available
199 Name : Allan Mendes Fathers Name: Jerome Mednes House Number : M-d-20 Age : 34 Gender : Male	ZOV0180158 Photo Available	200 Name : Renuka Nadkarni Husbands Name: Jayraj Nadkarni House Number : Ma-21 Age : 50 Gender : Female	ZOV0252676 Photo Available	201 Name : Karthik Nadkarni Fathers Name: Jayraj Nadkarni House Number : Ma-21 Age : 25 Gender : Male	ZOV0355958 Photo Available
202 Name : Jayraj Nadkarni Fathers Name: Digambar Nadkarni House Number : Md-21 Age : 61 Gender : Male	ZOV0400291 Photo Available	203 Name : Karan Naik Fathers Name: Premanand Naik House Number : M D-22 Age : 24 Gender : Male	ZOV0374306 Photo Available	204 Name : Premanand Naik Fathers Name: Vasu Naik House Number : M-D/22 Age : 62 Gender : Male	ZOV0184226 Photo Available
205 Name : Kishan Naik Fathers Name: Premanand Naik House Number : M-D/22 Age : 28 Gender : Male	ZOV0320499 Photo Available	206 Name : Priya Naik Husbands Name: Premanand Naik House Number : Md-22 Age : 51 Gender : Female	ZOV0184218 Photo Available	207 Name : Manisha Bandekar Husbands Name: Subhash Bandekar House Number : Ma-23 Age : 69 Gender : Female	ZOV0256750 Photo Available
208 Name : Nimish Alias Raghoba Nadkarni Fathers Name: Gopal Nadkarni House Number : Md-24 Age : 27 Gender : Male	ZOV0331777 Photo Available	209 Name : Chitralekha Desai Husbands Name: Arvind Desai House Number : Me-25 Age : 40 Gender : Female	JCM0225102 Photo Available	210 Name : AFREEN ABDUL MUNAF PANIGATTI Husbands Name: ABDUL MUNAF PANIGATTI House Number : MF31 Age : 30 Gender : Female	ZOV0378687 Photo Available

<p>211</p> <p>ZOV0206706</p> <p>Name : Sidhesh Fathers Name: Ragnath Gaude House Number : Mf-33 Age : 33 Gender : Male</p> <p>Photo</p> <p>Available</p>	<p>212</p> <p>CNB5784723</p> <p>Name : Ashlesha Patil Husbands Name: Shailesh Patil House Number : Mf-34 Age : 39 Gender : Female</p> <p>Photo</p> <p>Available</p>	<p>213</p> <p>ZOV0337774</p> <p>Name : Kiran Sutar Fathers Name: Siddeshwar Sutar House Number : M.F-36 Age : 27 Gender : Male</p> <p>Photo</p> <p>Available</p>
<p>214</p> <p>MXV7753833</p> <p>Name : Dayanand Pawar Fathers Name: Kunta Pawar House Number : Mg-39 Age : 51 Gender : Male</p> <p>Photo</p> <p>Available</p>	<p>215</p> <p>ZOV0294363</p> <p>Name : Sulaksha Pawar Husbands Name: Dayanand Pawar House Number : Mg-39 Age : 44 Gender : Female</p> <p>Photo</p> <p>Available</p>	<p>216</p> <p>MXV7752991</p> <p>Name : Lalita Verekar Shet Husbands Name: Bhiku Shet House Number : Ma-40 Age : 83 Gender : Female</p> <p>Photo</p> <p>Available</p>
<p>217</p> <p>ZOV0292292</p> <p>Name : Santosh Kumar Chaudhari Fathers Name: Ramekwal Chaudhari House Number : Mg-40 Age : 49 Gender : Male</p> <p>Photo</p> <p>Available</p>	<p>218</p> <p>ZOV0216788</p> <p>Name : Shrikant Naik Fathers Name: Gajanan Naik House Number : Ma-41 Age : 67 Gender : Male</p> <p>Photo</p> <p>Available</p>	<p>219</p> <p>MXV1367036</p> <p>Name : Siddhesh Naik Fathers Name: Shrikant Naik House Number : Ma-41 Age : 39 Gender : Male</p> <p>Photo</p> <p>Available</p>
<p>220</p> <p>LJN1502186</p> <p>Name : Chabila Naik Husbands Name: Sricanta Naik House Number : Mg-41 Age : 56 Gender : Female</p> <p>Photo</p> <p>Available</p>	<p>221</p> <p>THU0275099</p> <p>Name : Smruti Naik Husbands Name: Sidhesh Naik House Number : Mg-41 Age : 36 Gender : Female</p> <p>Photo</p> <p>Available</p>	<p>222</p> <p>ZOV0431122</p> <p>Name : JESNA Fathers Name: Kunjmon House Number : MG 42 Age : 27 Gender : Female</p> <p>Photo</p> <p>Available</p>
<p>223</p> <p>ZOV0422733</p> <p>Name : Nidhi Naik Fathers Name: Deepak Naik House Number : MH 44 Age : 21 Gender : Female</p> <p>Photo</p> <p>Available</p>	<p>224</p> <p>ZOV0074187</p> <p>Name : Deepak Naik Fathers Name: Bhika Naik House Number : MH-44 Age : 62 Gender : Male</p> <p>Photo</p> <p>Available</p>	<p>225</p> <p>ZOV0378554</p> <p>Name : Kartik Naik Fathers Name: Deepak Naik House Number : MH-44 Age : 23 Gender : Male</p> <p>Photo</p> <p>Available</p>
<p>226</p> <p>ZOV0437590</p> <p>Name : SAHEEL NAIK Fathers Name: VAMAN NAIK House Number : M H 45 Age : 22 Gender : Male</p> <p>Photo</p> <p>Available</p>	<p>227</p> <p>ZOV0237776</p> <p>Name : Reena Borkar Husbands Name: Rajesh Borkar House Number : Mh-45 Age : 38 Gender : Female</p> <p>Photo</p> <p>Available</p>	<p>228</p> <p>ZOV0198739</p> <p>Name : Darshan Prakash Gaonkar Fathers Name: Prakash Dulba Gaonkar House Number : MH-46 Age : 34 Gender : Male</p> <p>Photo</p> <p>Available</p>
<p>229</p> <p>ZOV0202051</p> <p>Name : Vahid Pathan Fathers Name: Bashir Pathan House Number : T-3 Age : 35 Gender : Male</p> <p>Photo</p> <p>Available</p>		

<p>230</p> <p>MX Y0915371</p> <p>Name : Mahamad Hanif Mulla Fathers Name: Abdulgani Mulla House Number : - Age : 52 Gender : Male</p> <p>Photo Available</p>	<p>231</p> <p>ZOV0400259</p> <p>Name : Jivottam Naik Fathers Name: Dharmu Naik House Number : 01 Age : 69 Gender : Male</p> <p>Photo Available</p>	<p>232</p> <p>ZOV0400242</p> <p>Name : Nayani Naik Husbands Name: Jivottam Naik House Number : 01 Age : 64 Gender : Female</p> <p>Photo Available</p>
<p>233</p> <p>MX Y9152307</p> <p>Name : Suraj Naik Fathers Name: Jivottam Naik House Number : 01 Age : 47 Gender : Male</p> <p>Photo Available</p>	<p>234</p> <p>MX Y0264184</p> <p>Name : Arti Naik Husbands Name: Suraj Naik House Number : 01 Age : 45 Gender : Female</p> <p>Photo Available</p>	<p>235</p> <p>ZOV0256198</p> <p>Name : Premavati Naik Husbands Name: Gajanan Naik House Number : 1 Age : 88 Gender : Female</p> <p>Photo Available</p>
<p>236</p> <p>MX Y9157132</p> <p>Name : Nilesh Naik Fathers Name: Vaman Naik House Number : 1 Age : 44 Gender : Male</p> <p>Photo Available</p>	<p>237</p> <p>MX Y9157058</p> <p>Name : Nitin Naik Fathers Name: Jivottam Naik House Number : 1 Age : 43 Gender : Male</p> <p>Photo Available</p>	<p>238</p> <p>ZOV0236638</p> <p>Name : Poonam Naik Husbands Name: Nitin Naik House Number : 1 Age : 42 Gender : Female</p> <p>Photo Available</p>
<p>239</p> <p>ZOV0236927</p> <p>Name : Rohan Naik Fathers Name: Ramakant Naik House Number : 1 Age : 34 Gender : Male</p> <p>Photo Available</p>	<p>240</p> <p>ZOV0236919</p> <p>Name : Rohita Naik Fathers Name: Ramakant Naik House Number : 1 Age : 32 Gender : Female</p> <p>Photo Available</p>	<p>241</p> <p>ZOV0400234</p> <p>Name : Vaman Naik Fathers Name: Shanker Naik House Number : 1/1 Age : 71 Gender : Male</p> <p>Photo Available</p>
<p>242</p> <p>ZOV0400226</p> <p>Name : Vasanti Naik Husbands Name: Vaman Naik House Number : 1/1 Age : 68 Gender : Female</p> <p>Photo Available</p>	<p>243</p> <p>ZOV0198069</p> <p>Name : Namdev Naik Fathers Name: Sazro Naik House Number : 1/a Age : 57 Gender : Male</p> <p>Photo Available</p>	<p>244</p> <p>MX Y8874166</p> <p>Name : Sandhya Naik Husbands Name: Mandev Naik House Number : 1/a Age : 53 Gender : Female</p> <p>Photo Available</p>
<p>245</p> <p>ZOV0359224</p> <p>Name : Saish Naik Fathers Name: Namdeo Naik House Number : 1/A Age : 25 Gender : Male</p> <p>Photo Available</p>	<p>246</p> <p>MX Y1364124</p> <p>Name : Yamnoor Nadaf Fathers Name: Balesab Nadaf House Number : 1/3 B-1 Age : 54 Gender : Male</p> <p>Photo Available</p>	<p>247</p> <p>ZOV0400218</p> <p>Name : Filomena Fernandes Husbands Name: Anthony Fernandes House Number : 02 Age : 64 Gender : Female</p> <p>Photo Available</p>
<p>248</p> <p>MX Y1351642</p> <p>Name : Aminabi Shaikh Fathers Name: Rashid Shaikh House Number : 03 Age : 39 Gender : Female</p> <p>Photo Available</p>	<p>249</p> <p>MX Y1351659</p> <p>Name : Wahidabi Shaikh Fathers Name: Rashid Shaikh House Number : 03 Age : 39 Gender : Female</p> <p>Photo Available</p>	<p>250</p> <p>ZOV0236646</p> <p>Name : Allaudin Shaikh Fathers Name: Adam Shaikh House Number : 3 Age : 58 Gender : Male</p> <p>Photo Available</p>
<p>251</p> <p>ZOV0275461</p> <p>Name : Nasima Bi Shaikh Fathers Name: Rashid Shaikh House Number : 3 Age : 31 Gender : Female</p> <p>Photo Available</p>	<p>252</p> <p>ZOV0312892</p> <p>Name : Waheeda Shaikh Husbands Name: Allahodin Shaikh House Number : 3/1 Age : 55 Gender : Female</p> <p>Photo Available</p>	<p>253</p> <p>ZOV0343210</p> <p>Name : Arshiya Shaikh Fathers Name: Allahodin Shaikh House Number : 3/1 Age : 26 Gender : Female</p> <p>Photo Available</p>
<p>254</p> <p>ZOV0400143</p> <p>Name : Ana Rosa Da Silva Husbands Name: Semplicio Dias House Number : 04 Age : 68 Gender : Female</p> <p>Photo Available</p>	<p>255</p> <p>MX Y7744196</p> <p>Name : Nelsa Dias Fathers Name: Semplicio Dias House Number : 04 Age : 44 Gender : Female</p> <p>Photo Available</p>	<p>256</p> <p>MX Y7744204</p> <p>Name : Nelsa Dias Fathers Name: Semplicio Dias House Number : 04 Age : 42 Gender : Female</p> <p>Photo Available</p>
<p>257</p> <p>MX Y1360973</p> <p>Name : Savio Dias Fathers Name: Semplicio Dias House Number : 04 Age : 40 Gender : Male</p> <p>Photo Available</p>	<p>258</p> <p>ZOV0438861</p> <p>Name : VAISHNAVI PARSHURAM DANGE DANGE Fathers Name: PARSHURAM DANGE House Number : 4 Age : 21 Gender : Female</p> <p>Photo Available</p>	<p>259</p> <p>ZOV0185181</p> <p>Name : Velda Dias Fathers Name: Semplicio Dias House Number : 4 Age : 35 Gender : Female</p> <p>Photo Available</p>

# 260 Name : Mayur Naik Fathers Name: Chandrakant Naik House Number : H.No.38, Nagzar Age : 34 Gender : Male	ZOV0061325 Photo Available	261 Name : Hamesh Bammanapad Fathers Name: Shankareppa Bammanapad House Number : 05 Age : 42 Gender : Male	ZOV0349423 Photo Available	262 Name : Somanath Bammanapad Fathers Name: Shankareppa Bammanapad House Number : 05 Age : 37 Gender : Male	ZOV0349415 Photo Available
263 Name : Sharu Bammanapad Husbands Name: Hamesh Bammanapad House Number : 5 Age : 37 Gender : Female	ZOV0349985 Photo Available	264 Name : Veeranna Beelagi Fathers Name: H. Raddy Beelagi House Number : 07 Age : 48 Gender : Male	ZOV0196873 Photo Available	265 Name : Mallikarjun Beelagi Fathers Name: Gularaddy Beelagi House Number : 07 Age : 45 Gender : Male	ZOV0196865 Photo Available
266 Name : Senita Dias Husbands Name: Savio Dias House Number : 7 Age : 37 Gender : Female	ZOV0342444 Photo Available	267 Name : Asif Jambotkar Fathers Name: Imam Jambotkar House Number : 7 Age : 43 Gender : Male	MXY1349224 Photo Available	268 Name : Ramu Lamani Fathers Name: Hariappa Lamani House Number : 7 Age : 34 Gender : Male	ZOV0343483 Photo Available
269 Name : Ramesh Nayak Fathers Name: Yamsingh Nayak House Number : 7 Age : 33 Gender : Male	ZOV0303057 Photo Available	270 Name : Claudy Wilson Dias Fathers Name: John Dias House Number : 8 Age : 51 Gender : Male	MXY7743123 Photo Available	271 Name : Rajesh Naik Fathers Name: Bajji Naik House Number : 6/1 Age : 41 Gender : Male	MXY1380963 Photo Available
272 Name : Laxmi Naik Husbands Name: Rajesh Naik House Number : 8/1 Age : 39 Gender : Female	MXY1380955 Photo Available	273 Name : Rozita Dias Husbands Name: John Dias House Number : 9 Age : 69 Gender : Female	ZOV0182857 Photo Available	274 Name : Sharon Dias Husbands Name: Claudy Wilson Dias House Number : 9 Age : 45 Gender : Female	ZOV0325407 Photo Available
275 Name : Chamansab Maddi Shaikh Fathers Name: Dastagirsab Maddi Shaikh House Number : 11 Age : 44 Gender : Male	MXY1351014 Photo Available	276 Name : Rajesh Ganachari Fathers Name: Maruti Ganachari House Number : 11/37 Age : 37 Gender : Male	ZOV0198721 Photo Available	277 Name : Nayan Priolker Husbands Name: Purshotom Priolker House Number : 12 Age : 79 Gender : Female	ZOV0400127 Photo Available
278 Name : Bhuvan Priolker Fathers Name: Purshotom Priolker House Number : 12 Age : 49 Gender : Male	ZOV0400119 Photo Available	279 Name : Neha Priolker Husbands Name: Bhuvan Priolker House Number : 12 Age : 44 Gender : Female	MXY6821557 Photo Available	280 Name : Basabi Shaik Fathers Name: Gofersab Shaik House Number : 12 Age : 30 Gender : Female	ZOV0297671 Photo Available
281 Name : Siraj Shaikh Fathers Name: Gafar Shaikh House Number : 12 Age : 26 Gender : Male	ZOV0367730 Photo Available	282 Name : Fatima Shaikh Fathers Name: Gafar Shaikh House Number : 12 Age : 27 Gender : Female	ZOV0331751 Photo Available	283 Name : Shanti Husbands Name: Balagopalan House Number : 13 Age : 51 Gender : Female	MXY1353325 Photo Available
284 Name : Balgopalan Fathers Name: Ramkrishna House Number : 13 Age : 57 Gender : Male	MXY9152406 Photo Available	285 Name : Mohan Shetty Fathers Name: Vishnu Shetty House Number : 13/1 Age : 79 Gender : Male	ZOV0216358 Photo Available	286 Name : Mangala Shetty Husbands Name: Mohan Shetty House Number : 13/1 Age : 70 Gender : Female	ZOV0216366 Photo Available
287 Name : Sudhir Shetty Fathers Name: Mohan Shetty House Number : 13/1 Age : 45 Gender : Male	MXY7752876 Photo Available	288 Name : Shoukat Ali Angadi Fathers Name: Garibsab Angadi House Number : 13/2 Age : 29 Gender : Male	ZOV0337162 Photo Available	289 Name : Adam Shaikh Fathers Name: Kasim Shaikh House Number : 13/2 Age : 91 Gender : Male	ZOV0181115 Photo Available

290	ZOV0182915	Name : Fatima Shaikh Husbands Name: Adam Shaikh House Number : 13/2 Age : 64 Gender : Female	Photo Available	291	MXY1372507	Name : Kassim Shaikh Fathers Name: Adam Shaikh House Number : 13/2 Age : 51 Gender : Male	Photo Available	292	MXY0915264	Name : Asfak Adam Shaikh Fathers Name: Adam Shaikh House Number : 13/2 Age : 50 Gender : Male	Photo Available
293	MXY0152561	Name : PARVEZ SHAIKH Fathers Name: Adam Shaikh House Number : 13/2 Age : 48 Gender : Male	Photo Available	294	MXY1372499	Name : Nafisa Shaikh Husbands Name: Kasim Shaikh House Number : 13/2 Age : 44 Gender : Female	Photo Available	295	MXY1357896	Name : Dharmanand Sinai Priolkar Fathers Name: Jaganath Sinai Priolkar House Number : 13/2 Age : 57 Gender : Male	Photo Available
296	MXY1353010	Name : Raksha Sinai Priolkar Husbands Name: Dharmanand Sinai Priolkar House Number : 13/2 Age : 55 Gender : Female	Photo Available	297	ZOV0383620	Name : Sejal Naik Fathers Name: Brahmanand House Number : 13/4 Age : 23 Gender : Female	Photo Available	298	ZOV0371757	Name : Ana Joaquina Afonso Husbands Name: Antonio Dias House Number : 15 Age : 64 Gender : Female	Photo Available
299	ZOV0371443	Name : Antonio Francisco Dias Fathers Name: Lourenco Dias House Number : 15 Age : 76 Gender : Male	Photo Available	300	ZOV0347864	Name : Pandappa Lamani Fathers Name: Namappa Lamani House Number : 15 Age : 43 Gender : Male	Photo Available	301	ZOV0347872	Name : Laxmi Lamani Husbands Name: Pandappa Lamani House Number : 15 Age : 40 Gender : Female	Photo Available
302	ZOV0368423	Name : Tippanna Lamani Fathers Name: Gemappa Lamani House Number : 15 Age : 36 Gender : Male	Photo Available	303	ZOV0367342	Name : Ashok Lamani Fathers Name: Vasappa Lamani House Number : 15 Age : 33 Gender : Male	Photo Available	304	ZOV0368308	Name : Santoshi Lamani Husbands Name: Tippanna Lamani House Number : 15 Age : 32 Gender : Female	Photo Available
305	ZOV0184259	Name : Vaishnavi Tendolkar Husbands Name: Vinod Tendolkar House Number : 15 Age : 42 Gender : Female	Photo Available	306	ZOV0184192	Name : Vinod Tendolkar Fathers Name: Ramchandra Tendolkar House Number : 15 Age : 39 Gender : Male	Photo Available	307	ZOV0325316	Name : Iqbal Bagi Mirza Fathers Name: Reheman Bagi Mirza House Number : 15/1 Age : 42 Gender : Male	Photo Available
308	ZOV0325324	Name : Shabana Bagi Mirza Husbands Name: Iqbal Bagi Mirza House Number : 15/1 Age : 37 Gender : Female	Photo Available	309	MXY1325687	Name : Shalini Dangi Husbands Name: Parshuram Dangi House Number : 15/2 Age : 44 Gender : Female	Photo Available	310	MXY1348093	Name : Parsharam Denge Fathers Name: Demana Denge House Number : 15/2 Age : 51 Gender : Male	Photo Available
311	MXY1325844	Name : Pundalik Dharwadkar Fathers Name: Zating Dharwadkar House Number : 15/5 Age : 54 Gender : Male	Photo Available	312	MXY1325836	Name : Suvarna Dharwadkar Husbands Name: Pundalik Dharwadkar House Number : 15/5 Age : 49 Gender : Female	Photo Available	313	ZOV0372730	Name : Manjunath Dharwadkar Fathers Name: Pundalik Dharwadkar House Number : 15/5 Age : 24 Gender : Male	Photo Available
S 314	ZOV0436188	Name : Netrawati Dharwadkar Fathers Name: Pundalik Dharwadkar House Number : 15/5 Age : 22 Gender : Female	Photo Available	315	ZOV0314849	Name : Gimappa Lamani Fathers Name: Krishna Lamani House Number : 15/6 Age : 64 Gender : Male	Photo Available	316	MXY1323542	Name : Vallava Lamani Husbands Name: Gimappa Lamani House Number : 15/6 Age : 59 Gender : Female	Photo Available
317	MXY1323559	Name : Nilappa Lamani Fathers Name: Gimappa Lamani House Number : 15/6 Age : 41 Gender : Male	Photo Available	318	MXY1323526	Name : Prema Lamani Husbands Name: Nilappa Lamani House Number : 15/6 Age : 39 Gender : Female	Photo Available	319	MXY7764947	Name : Basavraj Katagi Fathers Name: Mailleshappa Katagi House Number : 16 Age : 44 Gender : Male	Photo Available

<p>320</p> <p>ZOV0400580</p> <p>Name : Francisco Mendonsa Fathers Name: Caridad Mendonsa House Number : 16/1 Age : 81 Gender : Male</p> <p>Photo</p> <p>Available</p>	<p>321</p> <p>ZOV0400572</p> <p>Name : Carmena Mendonsa Husbands Name: Francisco Mendonsa House Number : 16/1 Age : 79 Gender : Female</p> <p>Photo</p> <p>Available</p>	<p>322</p> <p>ZOV0400564</p> <p>Name : Caridad Mendonsa Fathers Name: Francisco Mendonsa House Number : 16/1 Age : 56 Gender : Male</p> <p>Photo</p> <p>Available</p>
<p>323</p> <p>MXY1351840</p> <p>Name : Jenny Mendonsa Husbands Name: James Mendonsa House Number : 16/1 Age : 55 Gender : Female</p> <p>Photo</p> <p>Available</p>	<p>324</p> <p>ZOV0400812</p> <p>Name : James Mendonsa Fathers Name: Francisco Mendonsa House Number : 16/1 Age : 55 Gender : Male</p> <p>Photo</p> <p>Available</p>	<p>325</p> <p>MXY1369289</p> <p>Name : Mary Mendonsa Husbands Name: Caridad Mendonsa House Number : 16/1 Age : 48 Gender : Female</p> <p>Photo</p> <p>Available</p>
<p>326</p> <p>ZOV0367987</p> <p>Name : Ashley Custodio Mendonsa Fathers Name: Caridade Ignatius Mendonsa House Number : 16/1 Age : 26 Gender : Male</p> <p>Photo</p> <p>Available</p>	<p>327</p> <p>ZOV0361741</p> <p>Name : Jaime Mary Mendonsa Fathers Name: James Mendonsa House Number : 16/1 Age : 25 Gender : Female</p> <p>Photo</p> <p>Available</p>	<p>328</p> <p>ZOV0400804</p> <p>Name : Zahida Bi Sayed Husbands Name: Abdul Jabbar Sayed House Number : 16/2 Age : 54 Gender : Female</p> <p>Photo</p> <p>Available</p>
<p>329</p> <p>MXY1323369</p> <p>Name : Abdul Jabbar Sayed Fathers Name: Hamza Sayed House Number : 16/2 Age : 62 Gender : Male</p> <p>Photo</p> <p>Available</p>	<p>330</p> <p>MXY1302942</p> <p>Name : Asif Sayed Fathers Name: Hamza Sayed House Number : 16/2 Age : 52 Gender : Male</p> <p>Photo</p> <p>Available</p>	<p>331</p> <p>MXY1354216</p> <p>Name : Basheer Shaikh Fathers Name: H. F. Shaikh House Number : 16/3 Age : 79 Gender : Male</p> <p>Photo</p> <p>Available</p>
<p>332</p> <p>ZOV0196246</p> <p>Name : Sayeed Shaikh Husbands Name: Basheer Shaikh House Number : 16/3 Age : 72 Gender : Female</p> <p>Photo</p> <p>Available</p>	<p>333</p> <p>MXY9156746</p> <p>Name : Aleixo Dias Fathers Name: Peter Dias House Number : 17/A Age : 73 Gender : Male</p> <p>Photo</p> <p>Available</p>	<p>334</p> <p>ZOV0400796</p> <p>Name : Julet Dias Husbands Name: Aleixo Dias House Number : 17/A Age : 68 Gender : Female</p> <p>Photo</p> <p>Available</p>
<p>335</p> <p>MXY9156654</p> <p>Name : Salusinho Dias Fathers Name: Pedro Dias House Number : 17/B Age : 66 Gender : Male</p> <p>Photo</p> <p>Available</p>	<p>336</p> <p>MXY9156647</p> <p>Name : Rosa Maria Carmeline Dias Husbands Name: Saluzinho Dias House Number : 17/B Age : 64 Gender : Female</p> <p>Photo</p> <p>Available</p>	<p>337</p> <p>MXY9156670</p> <p>Name : Herman Dias Fathers Name: Pedro Dias House Number : 17/B Age : 61 Gender : Male</p> <p>Photo</p> <p>Available</p>
<p>338</p> <p>MXY9156688</p> <p>Name : Clifford Dias Fathers Name: Saluzinho Dias House Number : 17/B Age : 42 Gender : Male</p> <p>Photo</p> <p>Available</p>	<p>339</p> <p>NUP0262923</p> <p>Name : Bridgett D Costa Husbands Name: Clifford Dias House Number : 17-B Age : 34 Gender : Female</p> <p>Photo</p> <p>Available</p>	<p>340</p> <p>MXY7743701</p> <p>Name : Robert D'Costa Fathers Name: Luis D'Costa House Number : 18 Age : 61 Gender : Male</p> <p>Photo</p> <p>Available</p>
<p>341</p> <p>ZOV0400762</p> <p>Name : Bosco Dias Fathers Name: Luis Dias House Number : 18 Age : 58 Gender : Male</p> <p>Photo</p> <p>Available</p>	<p>342</p> <p>MXY7743966</p> <p>Name : Marcelino Estevam Dias Fathers Name: Luis Dias House Number : 18 Age : 57 Gender : Male</p> <p>Photo</p> <p>Available</p>	<p>343</p> <p>MXY7744212</p> <p>Name : Felix Dias Fathers Name: Luis Dias House Number : 18 Age : 54 Gender : Male</p> <p>Photo</p> <p>Available</p>
<p>344</p> <p>ZOV0337378</p> <p>Name : Kartika Kamble Fathers Name: Sitaram Kamble House Number : 18 Age : 45 Gender : Female</p> <p>Photo</p> <p>Available</p>	<p># 345</p> <p>ZOV0369439</p> <p>Name : Shalabai Kambli Husbands Name: Sitaram Kambli House Number : 18 Age : 70 Gender : Female</p> <p>Photo</p> <p>Available</p>	<p>346</p> <p>ZOV0337386</p> <p>Name : Deepak Kambli Fathers Name: Sitaram Kambli House Number : 18 Age : 51 Gender : Male</p> <p>Photo</p> <p>Available</p>
<p>347</p> <p>ZOV0357319</p> <p>Name : Santan Rodrigues Husbands Name: Marcelino Estevam Dias House Number : 18 Age : 48 Gender : Female</p> <p>Photo</p> <p>Available</p>	<p># 348</p> <p>ZOV0198432</p> <p>Name : Cristalina Silvia Rodrigues Husbands Name: Robert Silva Dias House Number : 18 Age : 57 Gender : Female</p> <p>Photo</p> <p>Available</p>	<p>349</p> <p>ZOV0068429</p> <p>Name : Silvestre Dias Fathers Name: John Dias House Number : 19 Age : 64 Gender : Male</p> <p>Photo</p> <p>Available</p>

<p>350</p> <p>MX Y1350099</p> <p>Name : Dilshad Dias Husbands Name: Silvester Dias House Number : 19 Age : 52 Gender : Female</p> <p>Photo</p> <p>Available</p>	<p>351</p> <p>ZOV0236679</p> <p>Name : Agnelo Dias Fathers Name: Joao Dias House Number : 19 Age : 51 Gender : Male</p> <p>Photo</p> <p>Available</p>	<p>352</p> <p>ZOV0333864</p> <p>Name : Nelson Dias Fathers Name: Silvester Dias House Number : 19 Age : 27 Gender : Male</p> <p>Photo</p> <p>Available</p>
<p>353</p> <p>ZOV0343228</p> <p>Name : Chabina Dias Fathers Name: Silvester Dias House Number : 19 Age : 26 Gender : Female</p> <p>Photo</p> <p>Available</p>	<p>354</p> <p>ZOV0236687</p> <p>Name : Mahesh Late Fathers Name: Bajappa Late House Number : 19 Age : 33 Gender : Male</p> <p>Photo</p> <p>Available</p>	<p>355</p> <p>ZOV0368290</p> <p>Name : Martand Salunke Fathers Name: Nivruti Salunke House Number : 19 Age : 27 Gender : Male</p> <p>Photo</p> <p>Available</p>
<p>356</p> <p>MX Y1370329</p> <p>Name : Raju Thakur Fathers Name: Sojal Thakur House Number : 19 Age : 54 Gender : Male</p> <p>Photo</p> <p>Available</p>	<p>357</p> <p>MX Y1379205</p> <p>Name : Shridat Mali Fathers Name: Annappa Mali House Number : 19/1 Age : 69 Gender : Male</p> <p>Photo</p> <p>Available</p>	<p>358</p> <p>MX Y1377092</p> <p>Name : Shravan Shinde Fathers Name: Ganpat Shinde House Number : 19/1 Age : 44 Gender : Male</p> <p>Photo</p> <p>Available</p>
<p>359</p> <p>ZOV0182873</p> <p>Name : Maria Estela Isabel Rene De Sousa Husbands Name: Milagres Dias House Number : 20 Age : 66 Gender : Female</p> <p>Photo</p> <p>Available</p>	<p>360</p> <p>ZOV0182881</p> <p>Name : Milagres Dias Fathers Name: Diago Dias House Number : 20 Age : 73 Gender : Male</p> <p>Photo</p> <p>Available</p>	<p>361</p> <p>MX Y1355395</p> <p>Name : Dyvo Dias Fathers Name: Milagres Dias House Number : 20 Age : 39 Gender : Male</p> <p>Photo</p> <p>Available</p>
<p>362</p> <p>ZOV0295733</p> <p>Name : Carmina Dias Fathers Name: Milagres Dias House Number : 20 Age : 35 Gender : Female</p> <p>Photo</p> <p>Available</p>	<p>363</p> <p>ZOV0182865</p> <p>Name : Felipe Dias Fathers Name: Diogo Dias House Number : 21 Age : 76 Gender : Male</p> <p>Photo</p> <p>Available</p>	<p>364</p> <p>MX Y1362912</p> <p>Name : Luiza Rosytha Dias Fathers Name: Felipe Dias House Number : 21 Age : 40 Gender : Female</p> <p>Photo</p> <p>Available</p>
<p>365</p> <p>ZOV0198440</p> <p>Name : Cristina Lazaro Fernandes Husbands Name: Felipe Dias House Number : 21 Age : 73 Gender : Female</p> <p>Photo</p> <p>Available</p>	<p>366</p> <p>MX Y9156639</p> <p>Name : Rashid Mulla Fathers Name: Abdulgani Mulla House Number : 21 Age : 49 Gender : Male</p> <p>Photo</p> <p>Available</p>	<p>367</p> <p>MX Y9156928</p> <p>Name : Shabana Mulla Husbands Name: Rashid Mulla House Number : 21 Age : 45 Gender : Female</p> <p>Photo</p> <p>Available</p>
<p>368</p> <p>MX Y1355072</p> <p>Name : Vahida Mulla Husbands Name: Navisab Mulla House Number : 21 Age : 44 Gender : Female</p> <p>Photo</p> <p>Available</p>	<p>369</p> <p>ZOV0320507</p> <p>Name : Atik Mulla Fathers Name: Rashid Mulla House Number : 21 Age : 28 Gender : Male</p> <p>Photo</p> <p>Available</p>	<p>370</p> <p>ZOV0357970</p> <p>Name : Arif Mulla Fathers Name: Rashid Mulla House Number : 21 Age : 27 Gender : Male</p> <p>Photo</p> <p>Available</p>
<p>371</p> <p>ZOV0357962</p> <p>Name : Akib Mulla Fathers Name: Rashid Mulla House Number : 21 Age : 25 Gender : Male</p> <p>Photo</p> <p>Available</p>	<p>372</p> <p>MX Y6825566</p> <p>Name : Khalil Saikalgar Fathers Name: Ibrahim Saikalgar House Number : 21/1 Age : 55 Gender : Male</p> <p>Photo</p> <p>Available</p>	<p>373</p> <p>ZOV0236695</p> <p>Name : Nevil Dias Fathers Name: Milagres Dias House Number : 22/1 Age : 34 Gender : Male</p> <p>Photo</p> <p>Available</p>
<p>374</p> <p>MX Y9156662</p> <p>Name : Latif Sayyed Fathers Name: Umar Sayyed House Number : 23 Age : 74 Gender : Male</p> <p>Photo</p> <p>Available</p>	<p>375</p> <p>ZOV0184929</p> <p>Name : Hasina Sayyed Husbands Name: Latif Sayyed House Number : 23 Age : 53 Gender : Female</p> <p>Photo</p> <p>Available</p>	<p>376</p> <p>ZOV0250183</p> <p>Name : Haroon Sayed Fathers Name: Umar Sayed House Number : 23/2 Age : 91 Gender : Male</p> <p>Photo</p> <p>Available</p>
<p>377</p> <p>ZOV0236703</p> <p>Name : Noor Jahanbi Sayed Husbands Name: Abdul Rahim Sayed House Number : 23/2 Age : 55 Gender : Female</p> <p>Photo</p> <p>Available</p>	<p>378</p> <p>ZOV0236711</p> <p>Name : Armina Bi Sayed Husbands Name: Humar Sayed House Number : 23/2 Age : 44 Gender : Female</p> <p>Photo</p> <p>Available</p>	<p>379</p> <p>ZOV0383307</p> <p>Name : ISMAIL SHAIKH Fathers Name: SHAMSHIR SHAIKH SAB House Number : 23/2 Age : 64 Gender : Male</p> <p>Photo</p> <p>Available</p>

380 Name : SAHERA BANU SHAIKH Husbands Name: ISMAIL SHAIKH House Number : 23/2 Age : 55 Gender : Female	ZOV0383786 Photo Available	381 Name : Zoram Bi Soid Husbands Name: Arun Soid House Number : 23/2 Age : 83 Gender : Female	ZOV0250175 Photo Available	382 Name : Nafisa Rakaskopi Husbands Name: Anwar Rakaskopi House Number : 23/3 Age : 52 Gender : Female	ZOV0414714 Photo Available
383 Name : Mizanbanu Rakaskopi Fathers Name: Anwar Rakaskopi House Number : 23/3 Age : 24 Gender : Female	ZOV0374579 Photo Available	384 Name : Zaheer Rakaskopi Mothers Name: Nafisa Rakaskopi House Number : 23/3 Age : 23 Gender : Male	ZOV0431072 Photo Available	385 Name : Zubeda Sayyed Husbands Name: Hamid Sayyed House Number : 24 Age : 69 Gender : Female	ZOV0203034 Photo Available
386 Name : Abdulrahim Sayyed Fathers Name: Harun Sayyed House Number : 24 Age : 65 Gender : Male	ZOV0216374 Photo Available	387 Name : Yasmin Sayyed Fathers Name: Hamid Sayyed House Number : 24 Age : 41 Gender : Female	MXY1322569 Photo Available	388 Name : Abdul amid Soid Fathers Name: Umer Sayyed House Number : 24 Age : 88 Gender : Male	ZOV0200675 Photo Available
389 Name : Tabbasum Thashildar Fathers Name: Salim Thashildar House Number : 24 Age : 23 Gender : Female	ZOV0431270 Photo Available	390 Name : Ramzan Thashildar Fathers Name: Salim Thashildar House Number : 24 Age : 22 Gender : Male	ZOV0431288 Photo Available	391 Name : Lalsab Nadaf Fathers Name: Mohamed Nadaf House Number : 24/1 Age : 63 Gender : Male	ZOV0337188 Photo Available
392 Name : Afnan Sayed Fathers Name: Humar Sayed House Number : 24/1 Age : 22 Gender : Male	ZOV0416230 Photo Available	393 Name : Abdulrahim Sayyed Fathers Name: Abdulkhadar Sayyed House Number : 24/1 Age : 54 Gender : Male	ZOV0400705 Photo Available	394 Name : Raziya Sayyed Husbands Name: Abdulrahim Sayyed House Number : 24/1 Age : 49 Gender : Female	MXY1373281 Photo Available
395 Name : Farheen Sayyed Fathers Name: Raheem Sayyed House Number : 24/1 Age : 30 Gender : Female	ZOV0325399 Photo Available	396 Name : Shaik Rabbul Islam Shaikh Fathers Name: A. Rahaman Shaikh House Number : 24/1 Age : 59 Gender : Male	MXY1350081 Photo Available	397 Name : Tabrez Shaikh Mamlekar Fathers Name: Suleman Shaikh Mamlekar House Number : 24/1 Age : 31 Gender : Male	ZOV0325381 Photo Available
398 Name : Farsam Bi Xec Mamblecar Husbands Name: Sileman Sab Xec Mamblecar House Number : 24/1 Age : 63 Gender : Female	MXY9156894 Photo Available	399 Name : Tajuddin Mulla Fathers Name: Hasanmuya Mulla House Number : 24/a Age : 47 Gender : Male	MXY1354158 Photo Available	400 Name : Mohamed Tayyeb Ansari Fathers Name: Kasim Ansari House Number : 25 Age : 59 Gender : Male	MXY1349372 Photo Available
401 Name : Vaklankhatoon Ansari Husbands Name: M. Tayyeb Ansari House Number : 25 Age : 55 Gender : Female	MXY1350925 Photo Available	402 Name : Mohamed Multazin Ansari Fathers Name: Kasim Ansari House Number : 25 Age : 49 Gender : Male	MXY1359165 Photo Available	403 Name : Mohamed Molazim Ansari Fathers Name: Mohamed Kasim Ansari House Number : 25 Age : 38 Gender : Male	ZOV0236745 Photo Available
404 Name : Ajmeri Khatun Ansari Fathers Name: Mohammad Taiyab Ansari House Number : 25 Age : 34 Gender : Female	ZOV0286666 Photo Available	405 Name : Abida Banu Ansari Husbands Name: Mohamed Molazim Ansari House Number : 25 Age : 32 Gender : Female	ZOV0311860 Photo Available	406 Name : Asgari Khatun Ansari Fathers Name: Mohammad Taiyab Ansari House Number : 25 Age : 30 Gender : Female	ZOV0320515 Photo Available
407 Name : Apsari Khatun Ansari Fathers Name: M. D. Tayyeb Ansari House Number : 25 Age : 28 Gender : Female	ZOV0340497 Photo Available	408 Name : Nisar Ahamad Khan Fathers Name: Abdul Kadar Khan House Number : 25 Age : 54 Gender : Male	ZOV0319418 Photo Available	409 Name : Fahima Khan Husbands Name: Nisar Ahamad Khan House Number : 25 Age : 48 Gender : Female	ZOV0319392 Photo Available

410	ZOV0431239	Name : Mehvish Khan Fathers Name: Nisar Ahmed Khan House Number : 25 Age : 20 Gender : Female	Photo Available	411	ZOV0313163	Name : Safina Mujawar Fathers Name: Iqbal Mujawar House Number : 25 Age : 30 Gender : Female	Photo Available	# 412	ZOV0357954	Name : HASEEB IQBAL MUZAWAR Fathers Name: Iqbal Mujawar House Number : 25 Age : 27 Gender : Male	Photo Available
413	ZOV0313197	Name : Iqbal Muzawar Mulla Fathers Name: Sharfuddin Mulla House Number : 25 Age : 61 Gender : Male	Photo Available	414	ZOV0313205	Name : Umme Salama Mulla Husbands Name: Iqbal Muzawar Mulla House Number : 25 Age : 52 Gender : Female	Photo Available	415	ZOV0366419	Name : Muzaffarsha Mulla Fathers Name: Allabaksh Mulla House Number : 25 Age : 39 Gender : Male	Photo Available
416	ZOV0366401	Name : Mohommdhanif Mulla Fathers Name: Allabaksh Mulla House Number : 25 Age : 35 Gender : Male	Photo Available	417	ZOV0333856	Name : Mahamed Ayyub Carpenter Fathers Name: Rafik Carpenter House Number : 25/1 Age : 29 Gender : Male	Photo Available	418	ZOV0182733	Name : Riyana Mahat Fathers Name: Bashir Mahat House Number : 25/1 Age : 62 Gender : Female	Photo Available
419	ZOV0308635	Name : Abdul Mulla Fathers Name: Maulali Mulla House Number : 25/1 Age : 33 Gender : Male	Photo Available	420	MXY1373273	Name : Maulali Mulla Fathers Name: Shabodin Mulla House Number : 25/2 Age : 68 Gender : Male	Photo Available	421	ZOV0236737	Name : M.N.Salim Fathers Name: R.B. Abdul Munaf House Number : 25/4 Age : 32 Gender : Male	Photo Available
422	MXY1322387	Name : Salimnawaz Ahmed Fathers Name: M. Ahmed Ahmed House Number : 25/4 Age : 47 Gender : Male	Photo Available	423	MXY1322379	Name : Shabana Ahmed Husbands Name: Salimnawaz Ahmed House Number : 25/4 Age : 41 Gender : Female	Photo Available	424	ZOV0427146	Name : Samir Ahmed Fathers Name: Salim Nawaz Ahmed House Number : 25/4 Age : 21 Gender : Male	Photo Available
425	ZOV0299529	Name : Nigeena Karpentar Fathers Name: Abdul Munaf R. B. Karpentar House Number : 25/4 Age : 40 Gender : Female	Photo Available	426	ZOV0068908	Name : Abdul Fathers Name: Babasab House Number : 25/4 Age : 69 Gender : Male	Photo Available	427	MXY1322510	Name : Thaira Husbands Name: Abdul House Number : 25/4 Age : 64 Gender : Female	Photo Available
428	MXY1322593	Name : Reshma Fathers Name: Abdul House Number : 25/4 Age : 39 Gender : Female	Photo Available	429	MXY1364041	Name : Javed Fathers Name: Abdul House Number : 25/4 Age : 38 Gender : Male	Photo Available	430	ZOV0337881	Name : Illiyaj Ahmad Fathers Name: Mahamad Raffi Ahmad House Number : 25/5 Age : 37 Gender : Male	Photo Available
431	ZOV0337782	Name : Rukaiya Banu Ahmed Husbands Name: Illiyaj Ahmad House Number : 25/5 Age : 32 Gender : Female	Photo Available	432	MXY1322478	Name : Rafik Karpenter Fathers Name: Babasab Karpenter House Number : 25/5 Age : 64 Gender : Male	Photo Available	433	MXY1322775	Name : Shammi Karpenter Husbands Name: Rafik Karpenter House Number : 25/5 Age : 49 Gender : Female	Photo Available
S 434	MXY1321207	Name : Shaheda Banu Mulla Husbands Name: Habeeb Mulla House Number : 26 Age : 37 Gender : Female	Photo Available	435	MXY1352699	Name : Habidali Sayyed Fathers Name: Ali Sayyed House Number : 26 Age : 65 Gender : Male	Photo Available	436	MXY1365774	Name : Imambi Sayyed Husbands Name: Habidali Sayyed House Number : 26 Age : 51 Gender : Female	Photo Available
S 437	MXY1366707	Name : Habib Mulla Fathers Name: Dastgir Mulla House Number : 26/1 Age : 40 Gender : Male	Photo Available	438	MXY1322189	Name : Hidayay Sayed Fathers Name: Habib Sayed House Number : 26/4 Age : 54 Gender : Male	Photo Available	439	MXY1369321	Name : Naval Khan Fathers Name: Mohamed Khan House Number : 26/5 Age : 59 Gender : Male	Photo Available

<p>440</p> <p>ZOV0429076</p> <p>Name : Mohd Ibrahim Mohd Ahmed Shaikh Fathers Name: Mohd Ahmed Farzandali Shaikh House Number : 26/A1 Age : 56 Gender : Male</p> <p>Photo Available</p>	<p>441</p> <p>ZOV0400085</p> <p>Name : Gaitunbi Sanadi Husbands Name: Babasab Sanadi House Number : 27 Age : 83 Gender : Female</p> <p>Photo Available</p>	<p>442</p> <p>MXY9156811</p> <p>Name : Mamtaz Sanadi Husbands Name: Hasansab Sanadi House Number : 27 Age : 54 Gender : Female</p> <p>Photo Available</p>
<p>443</p> <p>MXY9157041</p> <p>Name : Dastagir Sanadi Fathers Name: Babasab Sanadi House Number : 27 Age : 52 Gender : Male</p> <p>Photo Available</p>	<p>444</p> <p>MXY9156795</p> <p>Name : Rukayya Sanadi Husbands Name: Dastagir Sanadi House Number : 27 Age : 49 Gender : Female</p> <p>Photo Available</p>	<p>445</p> <p>MXY9156803</p> <p>Name : Parvin Sanadi Husbands Name: Kasim Sanadi House Number : 27 Age : 39 Gender : Female</p> <p>Photo Available</p>
<p>446</p> <p>ZOV0355941</p> <p>Name : Heena Sandhi Fathers Name: Kasimsab Sandhi House Number : 27 Age : 26 Gender : Female</p> <p>Photo Available</p>	<p>447</p> <p>ZOV0331819</p> <p>Name : Reshma Banu Sandi Fathers Name: Dastagirsab Sandi House Number : 27 Age : 29 Gender : Female</p> <p>Photo Available</p>	<p>448</p> <p>ZOV0331801</p> <p>Name : Mahabub Subhani Sandi Fathers Name: Dastagir Sandi House Number : 27 Age : 28 Gender : Male</p> <p>Photo Available</p>
<p>449</p> <p>ZOV0375311</p> <p>Name : Sarferoz Sandi Fathers Name: Kasimsab Sandi House Number : 27 Age : 24 Gender : Male</p> <p>Photo Available</p>	<p>450</p> <p>ZOV0337170</p> <p>Name : Salim Bidi Fathers Name: Ibrahim Bidi House Number : 28 Age : 42 Gender : Male</p> <p>Photo Available</p>	<p>451</p> <p>MXY1354752</p> <p>Name : Anjum Bidi Husbands Name: Salim Bidi House Number : 28 Age : 37 Gender : Female</p> <p>Photo Available</p>
<p>452</p> <p>ZOV0183400</p> <p>Name : Mohamed Ibrahim Kuppelur Fathers Name: Khadersaab Kuppelur House Number : 28 Age : 57 Gender : Male</p> <p>Photo Available</p>	<p>453</p> <p>ZOV0183418</p> <p>Name : Fatim M. Kuppelur Husbands Name: Mohamed Ibrahim Kuppelur House Number : 28 Age : 48 Gender : Female</p> <p>Photo Available</p>	<p>454</p> <p>ZOV0346213</p> <p>Name : Rubiya Banu Kuppelur Fathers Name: Mohamed Ibrahimsaheb Kuppelur House Number : 28 Age : 28 Gender : Female</p> <p>Photo Available</p>
<p>455</p> <p>ZOV0367904</p> <p>Name : Abdali Kuppelur Fathers Name: Mahamed Kuppelur House Number : 28 Age : 25 Gender : Male</p> <p>Photo Available</p>	<p>456</p> <p>ZOV0416750</p> <p>Name : Mubinabi Kuppelur Fathers Name: Mohamed Ibrahim Kuppelur House Number : 28 Age : 23 Gender : Female</p> <p>Photo Available</p>	<p>457</p> <p>ZOV0297713</p> <p>Name : Sunil Mali Fathers Name: Suresh Mali House Number : 28 Age : 32 Gender : Male</p> <p>Photo Available</p>
<p>458</p> <p>ZOV0297705</p> <p>Name : Shilpa Mali Fathers Name: Suresh Mali House Number : 28 Age : 30 Gender : Female</p> <p>Photo Available</p>	<p>459</p> <p>ZOV0431205</p> <p>Name : Sarita Mali Husbands Name: Sunil Mali House Number : 28 Age : 28 Gender : Female</p> <p>Photo Available</p>	<p>460</p> <p>ZOV0400002</p> <p>Name : Basharabi Sandi Husbands Name: M. Gous Sandi House Number : 28 Age : 54 Gender : Female</p> <p>Photo Available</p>
<p>461</p> <p>MXY9152943</p> <p>Name : Ashraf Gous Sandi Fathers Name: Mohammed Gous Samdhee House Number : 28 Age : 41 Gender : Male</p> <p>Photo Available</p>	<p>462</p> <p>MXY9152968</p> <p>Name : Aliyabi Sandi Fathers Name: M. Gous Sandi House Number : 28 Age : 39 Gender : Female</p> <p>Photo Available</p>	<p>463</p> <p>ZOV0311845</p> <p>Name : Ramija. Bi Sandi Husbands Name: Asarfai Sandi House Number : 28 Age : 39 Gender : Female</p> <p>Photo Available</p>
<p>464</p> <p>ZOV0182923</p> <p>Name : Rehana Bi Sandi Fathers Name: Mohamed Gous Sandi House Number : 28 Age : 36 Gender : Female</p> <p>Photo Available</p>	<p>465</p> <p>MXY7754393</p> <p>Name : Nabisab Mulla Fathers Name: Abdulgani Mulla House Number : 28/1 Age : 49 Gender : Male</p> <p>Photo Available</p>	<p>466</p> <p>MXY9156787</p> <p>Name : Asha Mulla Husbands Name: Mohammad Hanif Mulla House Number : 28/1 Age : 45 Gender : Female</p> <p>Photo Available</p>
<p>467</p> <p>ZOV0436196</p> <p>Name : shadhab mulla Fathers Name: mahamad hanif gani mulla House Number : 28/1 Age : 21 Gender : Male</p> <p>Photo Available</p>	<p>468</p> <p>MXY8874414</p> <p>Name : Mohamed Rafique Sayed Fathers Name: Abid Sayed House Number : 28/2 Age : 53 Gender : Male</p> <p>Photo Available</p>	<p>469</p> <p>MXY8874240</p> <p>Name : Rajya Bee Sayed Husbands Name: Mohamed Rafique Sayed House Number : 28/2 Age : 45 Gender : Female</p> <p>Photo Available</p>

<p>470</p> <p>Name : Sajid Sayed Fathers Name: Rafique Sayed House Number : 28/2 Age : 20 Gender : Male</p> <p>ZOV0431197</p> <p>Photo</p> <p>Available</p>	<p>471</p> <p>Name : Saziya Sayyed Fathers Name: Mohamed Rafiq Sayyed House Number : 28/2 Age : 26 Gender : Female</p> <p>ZOV0342428</p> <p>Photo</p> <p>Available</p>	<p>472</p> <p>Name : Shabeena Banu Gandamani Husbands Name: Basheer Ahmmed Gandamani House Number : 28/9 Age : 43 Gender : Female</p> <p>ZOV0425801</p> <p>Photo</p> <p>Available</p>
<p>473</p> <p>Name : Kundgol Malikjan Gous Moddin Fathers Name: Gouse Moddin House Number : 28/9 Age : 23 Gender : Male</p> <p>ZOV0424903</p> <p>Photo</p> <p>Available</p>	<p>474</p> <p>Name : Shahida Mulla Husbands Name: Moinuddin Mulla House Number : 28/9 Age : 50 Gender : Female</p> <p>MXY9156860</p> <p>Photo</p> <p>Available</p>	<p>475</p> <p>Name : Sameer Mulla Fathers Name: Maimuddin Mulla House Number : 28/9 Age : 29 Gender : Male</p> <p>ZOV0328609</p> <p>Photo</p> <p>Available</p>
<p>476</p> <p>Name : Safina Taj Mulla Fathers Name: Mainuddinsab Mulla House Number : 28/9 Age : 26 Gender : Female</p> <p>ZOV0361444</p> <p>Photo</p> <p>Available</p>	<p>477</p> <p>Name : Sajad Bi Mulla Husbands Name: Nazarodin Mulla House Number : 29 Age : 78 Gender : Female</p> <p>ZOV0067280</p> <p>Photo</p> <p>Available</p>	<p>478</p> <p>Name : Riyaz Mulla Fathers Name: Naziroddin Mulla House Number : 29 Age : 51 Gender : Male</p> <p>ZOV0216424</p> <p>Photo</p> <p>Available</p>
<p>479</p> <p>Name : Ramiza Mulla Husbands Name: Riyaz Mulla House Number : 29 Age : 46 Gender : Female</p> <p>ZOV0216432</p> <p>Photo</p> <p>Available</p>	<p>480</p> <p>Name : Nisar Mulla Fathers Name: Nazarudyn Mulla House Number : 29 Age : 43 Gender : Male</p> <p>ZOV0067298</p> <p>Photo</p> <p>Available</p>	<p>481</p> <p>Name : Shabina Banu Mulla Husbands Name: Nisar Nazaruiddin Mulla House Number : 29 Age : 34 Gender : Female</p> <p>ZOV0367912</p> <p>Photo</p> <p>Available</p>
<p>482</p> <p>Name : Ujma Mulla Fathers Name: Riyaz Mulla House Number : 29 Age : 24 Gender : Female</p> <p>ZOV0369405</p> <p>Photo</p> <p>Available</p>	<p>483</p> <p>Name : Ubed Mulla Fathers Name: Riyaz Mulla House Number : 29 Age : 21 Gender : Male</p> <p>ZOV0439083</p> <p>Photo</p> <p>Available</p>	<p>484</p> <p>Name : Bharat Tompe Fathers Name: Kundaik Tompe House Number : 29 Age : 61 Gender : Male</p> <p>ZOV0236778</p> <p>Photo</p> <p>Available</p>
<p>485</p> <p>Name : Akash Tompe Fathers Name: Bharat Tompe House Number : 29 Age : 28 Gender : Male</p> <p>ZOV0328641</p> <p>Photo</p> <p>Available</p>	<p>486</p> <p>Name : Vikas Tompe Fathers Name: Bharat Tompe House Number : 29 Age : 25 Gender : Male</p> <p>ZOV0367748</p> <p>Photo</p> <p>Available</p>	<p>487</p> <p>Name : Mumtazbi Mulla Husbands Name: Imamm Mulla House Number : 30 Age : 65 Gender : Female</p> <p>MXY1348390</p> <p>Photo</p> <p>Available</p>
<p>488</p> <p>Name : Zaffar Mulla Fathers Name: Imamm Mulla House Number : 30 Age : 41 Gender : Male</p> <p>ZOV0061861</p> <p>Photo</p> <p>Available</p>	<p>489</p> <p>Name : Riyaz Mulla Fathers Name: Imamm Mulla House Number : 30 Age : 39 Gender : Male</p> <p>MXY1356922</p> <p>Photo</p> <p>Available</p>	<p>490</p> <p>Name : Munni Mulla Husbands Name: Zaffar Sadik Mulla House Number : 30 Age : 36 Gender : Female</p> <p>ZOV0294413</p> <p>Photo</p> <p>Available</p>
<p>491</p> <p>Name : Nirmala Desai Husbands Name: Shankar Desai House Number : 30/1 Age : 52 Gender : Female</p> <p>ZOV0236786</p> <p>Photo</p> <p>Available</p>	<p>492</p> <p>Name : Santosh Dessai Fathers Name: Shankar Dessai House Number : 30/1 Age : 28 Gender : Male</p> <p>ZOV0347856</p> <p>Photo</p> <p>Available</p>	<p>493</p> <p>Name : Dipwali Kakatkar Fathers Name: Shankar Kakatkar House Number : 30/1 Age : 37 Gender : Female</p> <p>MXY1321371</p> <p>Photo</p> <p>Available</p>
<p>494</p> <p>Name : Musa Patel Fathers Name: Abdul Patel House Number : 30/1 Age : 38 Gender : Male</p> <p>ZOV0325472</p> <p>Photo</p> <p>Available</p>	<p>495</p> <p>Name : Hoorunisa Kalamani Fathers Name: Maheboob Ali Kalamani House Number : 30/2 Age : 34 Gender : Female</p> <p>ZOV0236794</p> <p>Photo</p> <p>Available</p>	<p>496</p> <p>Name : Ummisalma Kalmani Fathers Name: Maheboob Ali Kalmani House Number : 30/2 Age : 33 Gender : Female</p> <p>ZOV0236802</p> <p>Photo</p> <p>Available</p>
<p>S 497</p> <p>Name : Hamza Hussani Mulla Fathers Name: Alibekhan Mulla House Number : 30/2 Age : 41 Gender : Male</p> <p>ZOV0236810</p> <p>Photo</p> <p>Available</p>	<p>498</p> <p>Name : Mehaboob Ali Kalmani Fathers Name: Chamansab Kalmani House Number : 30/3 Age : 62 Gender : Male</p> <p>MXY0915124</p> <p>Photo</p> <p>Available</p>	<p>499</p> <p>Name : Hasinabanu Kalmani Husbands Name: Mehaboob Kalmani House Number : 30/3 Age : 57 Gender : Female</p> <p>MXY0915116</p> <p>Photo</p> <p>Available</p>

<p>500</p> <p>ZOV0322081</p> <p>Name : Noor Mohamad Kalmani Fathers Name: Mehaboob Kalmani House Number : 30/3 Age : 31 Gender : Male</p> <p>Photo Available</p>	<p>501</p> <p>ZOV0319350</p> <p>Name : Muhammad Toaheed Kalmani Fathers Name: Mehaboob Ali Kalmani House Number : 30/3 Age : 30 Gender : Male</p> <p>Photo Available</p>	<p>502</p> <p>MXY1349778</p> <p>Name : Sayedpeer Aapinkatti Fathers Name: Papasab Appinkatti House Number : 31 Age : 51 Gender : Male</p> <p>Photo Available</p>
<p>503</p> <p>MXY1351303</p> <p>Name : Ezazbanu Aapinkatti Husbands Name: Sayedpeer Appinkatti House Number : 31 Age : 42 Gender : Female</p> <p>Photo Available</p>	<p>504</p> <p>ZOV0379180</p> <p>Name : SUMAYYA AAPINKATTI Fathers Name: SAYEDPEER AAPINKATTI House Number : 31 Age : 23 Gender : Female</p> <p>Photo Available</p>	<p>505</p> <p>ZOV0435941</p> <p>Name : Afsana Aapinkatti Fathers Name: Sayedpeer Aapinkatti House Number : 31 Age : 21 Gender : Female</p> <p>Photo Available</p>
<p># 506</p> <p>ZOV0399956</p> <p>Name : Imamhusen Jambotkar Fathers Name: Hussan Jambotkar House Number : 31 Age : 74 Gender : Male</p> <p>Photo Available</p>	<p>507</p> <p>MXY1351311</p> <p>Name : Gulasera Jambotkar Husbands Name: Imam Jambotkar House Number : 31 Age : 64 Gender : Female</p> <p>Photo Available</p>	<p>508</p> <p>ZOV0236828</p> <p>Name : Mubina Jambotkar Husbands Name: Asif Jambotkar House Number : 31 Age : 38 Gender : Female</p> <p>Photo Available</p>
<p>509</p> <p>ZOV0431049</p> <p>Name : Dilshadabegum Jambotkar Husbands Name: Irshadahmad Jambotkar House Number : 31 Age : 36 Gender : Female</p> <p>Photo Available</p>	<p>510</p> <p>ZOV0357939</p> <p>Name : Irshadahmad Jambotkar Fathers Name: Imamhusen Jambotkar House Number : 31 Age : 34 Gender : Male</p> <p>Photo Available</p>	<p>511</p> <p>ZOV0277988</p> <p>Name : Ilyas Jambotkar Fathers Name: Imam Husen Jambotkar House Number : 31 Age : 32 Gender : Male</p> <p>Photo Available</p>
<p>512</p> <p>ZOV0334490</p> <p>Name : Safiya Jambotkar Fathers Name: Imam Hussain Jambotkar House Number : 31 Age : 28 Gender : Female</p> <p>Photo Available</p>	<p>513</p> <p>ZOV0351999</p> <p>Name : Salman Jambotkar Fathers Name: Imam Hussen Jambotkar House Number : 31 Age : 25 Gender : Male</p> <p>Photo Available</p>	<p>514</p> <p>ZOV0415554</p> <p>Name : Asiyah Jambotkar Fathers Name: Imamhussain Jambotkar House Number : 31 Age : 22 Gender : Female</p> <p>Photo Available</p>
<p>515</p> <p>ZOV0375162</p> <p>Name : Shila Mali Fathers Name: Suresh Mali House Number : 31/1 Age : 28 Gender : Female</p> <p>Photo Available</p>	<p>516</p> <p>ZOV0374843</p> <p>Name : Nayeemunnisa Mulla Husbands Name: Muzaffarsha Mulla House Number : 31/2 Age : 32 Gender : Female</p> <p>Photo Available</p>	<p>517</p> <p>ZOV0431254</p> <p>Name : Uzaf Nabisab Mulla Fathers Name: Nabisab Mulla House Number : 31/3 Age : 20 Gender : Male</p> <p>Photo Available</p>
<p>518</p> <p>ZOV0374595</p> <p>Name : Manoshri Rathod Fathers Name: Somesh Rathod House Number : 31/3 Age : 27 Gender : Female</p> <p>Photo Available</p>	<p>519</p> <p>ZOV0399998</p> <p>Name : Kamlakant Dhamaskar Fathers Name: Pundalik Dhamaskar House Number : 32 Age : 84 Gender : Male</p> <p>Photo Available</p>	<p>520</p> <p>ZOV0399980</p> <p>Name : Sushilabai Dhamaskar Husbands Name: Kamlakant Dhamaskar House Number : 32 Age : 79 Gender : Female</p> <p>Photo Available</p>
<p>521</p> <p>ZOV0216408</p> <p>Name : Maheshwar Dhamaskar Fathers Name: Kamlakant Dhamaskar House Number : 32 Age : 62 Gender : Male</p> <p>Photo Available</p>	<p>522</p> <p>ZOV0216416</p> <p>Name : Umesh Dhamaskar Fathers Name: Kamlakant Dhamaskar House Number : 32 Age : 61 Gender : Male</p> <p>Photo Available</p>	<p>523</p> <p>MXY7744345</p> <p>Name : Subhlaxmi Dhamaskar Husbands Name: Maheshwar Dhamaskar House Number : 32 Age : 51 Gender : Female</p> <p>Photo Available</p>
<p>524</p> <p>MXY7744352</p> <p>Name : Suvarna Dhamaskar Husbands Name: Umesh Dhamaskar House Number : 32 Age : 42 Gender : Female</p> <p>Photo Available</p>	<p>525</p> <p>ZOV0379396</p> <p>Name : Karishma Dhamaskar Fathers Name: Maheshwar Dhamaskar House Number : 32 Age : 23 Gender : Female</p> <p>Photo Available</p>	<p>526</p> <p>ZOV0426072</p> <p>Name : Prathmesh dhamaskar Mothers Name: suvarna House Number : 32 Age : 21 Gender : Male</p> <p>Photo Available</p>
<p>527</p> <p>ZOV0337899</p> <p>Name : Sachin Naik Fathers Name: Chandrakant Naik House Number : 32 Age : 42 Gender : Male</p> <p>Photo Available</p>	<p>528</p> <p>ZOV0337808</p> <p>Name : Roshan Naik Husbands Name: Sachin Naik House Number : 32 Age : 41 Gender : Female</p> <p>Photo Available</p>	<p>529</p> <p>ZOV0206821</p> <p>Name : Varsha Gondker Husbands Name: Prakash Gondker House Number : 32/2 Age : 65 Gender : Female</p> <p>Photo Available</p>

<p>530</p> <p>ZOV0280107</p> <p>Name : Prashant Gondker Fathers Name : Prakash Gondker House Number : 32/2 Age : 34 Gender : Male</p> <p>Photo</p> <p>Available</p>	<p>531</p> <p>MXY1290311</p> <p>Name : Laximi Hardikar Husbands Name : Naguesh Hardikar House Number : 32/2 Age : 59 Gender : Female</p> <p>Photo</p> <p>Available</p>	<p>532</p> <p>ZOV0236935</p> <p>Name : Suidha Navelkar Mothers Name : Santosh Navelkar House Number : 32/2 Age : 33 Gender : Female</p> <p>Photo</p> <p>Available</p>
<p>533</p> <p>ZOV0273011</p> <p>Name : Shital Phadte Husbands Name : Sanjay Phadte House Number : 33 Age : 45 Gender : Female</p> <p>Photo</p> <p>Available</p>	<p>534</p> <p>ZOV0414946</p> <p>Name : Samradny Narayan Phadte Fathers Name : Narayan alias Naru Phadte House Number : 33 Age : 23 Gender : Female</p> <p>Photo</p> <p>Available</p>	<p>535</p> <p>ZOV0383877</p> <p>Name : Prajakt Phadte Fathers Name : Vamani Phadte House Number : 33 Age : 23 Gender : Male</p> <p>Photo</p> <p>Available</p>
<p>536</p> <p>MXY8873945</p> <p>Name : Sunita Kakatkar Fathers Name : Shankar Kakatkar House Number : 34 Age : 43 Gender : Female</p> <p>Photo</p> <p>Available</p>	<p>537</p> <p>MXY1321504</p> <p>Name : Shabbir Ahamed Mulla Fathers Name : Jajahamed Mulla House Number : 34 Age : 64 Gender : Male</p> <p>Photo</p> <p>Available</p>	<p>538</p> <p>MXY1321447</p> <p>Name : Surayya Mulla Husbands Name : S. Ahamed Mulla House Number : 34 Age : 59 Gender : Female</p> <p>Photo</p> <p>Available</p>
<p>539</p> <p>ZOV0296749</p> <p>Name : Sakib Mulla Fathers Name : Shabbir Ahamed Mulla House Number : 34 Age : 32 Gender : Male</p> <p>Photo</p> <p>Available</p>	<p>540</p> <p>MXY1358308</p> <p>Name : Pravin Rane Fathers Name : Yeshwant Rane House Number : 34 Age : 51 Gender : Male</p> <p>Photo</p> <p>Available</p>	<p>541</p> <p>MXY1356146</p> <p>Name : Chaya Rane Husbands Name : Pravin Rane House Number : 34 Age : 47 Gender : Female</p> <p>Photo</p> <p>Available</p>
<p>542</p> <p>MXY1352004</p> <p>Name : Rupesh Rane Fathers Name : Yeshwant Rane House Number : 34 Age : 41 Gender : Male</p> <p>Photo</p> <p>Available</p>	<p>543</p> <p>ZOV0379198</p> <p>Name : Siddhi Rane Fathers Name : Pravin Rane House Number : 34 Age : 23 Gender : Female</p> <p>Photo</p> <p>Available</p>	<p>544</p> <p>ZOV0319368</p> <p>Name : Nurjan Bi Sayad Fathers Name : M. Yusuf Sayad House Number : 34 Age : 29 Gender : Female</p> <p>Photo</p> <p>Available</p>
<p>545</p> <p>MXY7742984</p> <p>Name : Rahimabi Sayed Husbands Name : M. Yusuf Sayed House Number : 34 Age : 58 Gender : Female</p> <p>Photo</p> <p>Available</p>	<p>546</p> <p>ZOV0319376</p> <p>Name : Sufiya Bi Sayed Fathers Name : M. Yusuf Sayed House Number : 34 Age : 34 Gender : Female</p> <p>Photo</p> <p>Available</p>	<p>547</p> <p>ZOV0319384</p> <p>Name : Nafisa Bi Sayed Fathers Name : M. Yusuf Sayed House Number : 34 Age : 30 Gender : Female</p> <p>Photo</p> <p>Available</p>
<p>548</p> <p>ZOV0182899</p> <p>Name : Yasin Y. Sayyad Fathers Name : Yusuf Sayyad House Number : 34 Age : 34 Gender : Male</p> <p>Photo</p> <p>Available</p>	<p>549</p> <p>MXY1321645</p> <p>Name : Mohamedsubhan Shaikh Fathers Name : Gaffarsab Shaikh House Number : 34 Age : 59 Gender : Male</p> <p>Photo</p> <p>Available</p>	<p>550</p> <p>MXY8873895</p> <p>Name : Hassina Shaikh Husbands Name : Gaffarsab Shaikh House Number : 34 Age : 55 Gender : Female</p> <p>Photo</p> <p>Available</p>
<p>551</p> <p>MXY1321520</p> <p>Name : Dalqisbanu Shaikh Husbands Name : M. Subhan Shaikh House Number : 34 Age : 52 Gender : Female</p> <p>Photo</p> <p>Available</p>	<p>552</p> <p>MXY8873903</p> <p>Name : Gaffarsab Shet Fathers Name : Kassimsab Shet House Number : 34 Age : 69 Gender : Male</p> <p>Photo</p> <p>Available</p>	<p>553</p> <p>ZOV0184069</p> <p>Name : Vasant Shivangekar Fathers Name : Mashnu Shivangekar House Number : 34 Age : 57 Gender : Male</p> <p>Photo</p> <p>Available</p>
<p>554</p> <p>MXY7744220</p> <p>Name : Varsha Shivangekar Husbands Name : Vasant Shivangekar House Number : 34 Age : 49 Gender : Female</p> <p>Photo</p> <p>Available</p>	<p>555</p> <p>ZOV0373928</p> <p>Name : Vishant Shivangekar Fathers Name : Vasant Shivangekar House Number : 34 Age : 26 Gender : Male</p> <p>Photo</p> <p>Available</p>	<p>556</p> <p>MXY8874281</p> <p>Name : Keshav Yedvi Fathers Name : Shankar Yedvi House Number : 34 Age : 69 Gender : Male</p> <p>Photo</p> <p>Available</p>
<p>557</p> <p>MXY8874273</p> <p>Name : Kishori Yedvi Husbands Name : Keshav Yedvi House Number : 34 Age : 61 Gender : Female</p> <p>Photo</p> <p>Available</p>	<p>558</p> <p>ZOV0202606</p> <p>Name : Vinayak Yedvi Fathers Name : Keshav Yedvi House Number : 34 Age : 38 Gender : Male</p> <p>Photo</p> <p>Available</p>	<p>559</p> <p>ZOV0236943</p> <p>Name : Trupti Yedvi Fathers Name : Keshav Yedvi House Number : 34 Age : 34 Gender : Female</p> <p>Photo</p> <p>Available</p>

560 Name : Neha Yedvi Husbands Name: Vinayak Yedvi House Number : 34 Age : 32 Gender : Female	ZOV0343202 Photo Available	561 Name : Shavanti Kurtikar Husbands Name: Datta Kurtikar House Number : 35 Age : 74 Gender : Female	ZOV0273029 Photo Available	562 Name : Subhash Kurtikar Fathers Name: Datta Kurtikar House Number : 35 Age : 59 Gender : Male	ZOV0204495 Photo Available
563 Name : Santosh Kurtikar Fathers Name: Datta Kurtikar House Number : 35 Age : 56 Gender : Male	ZOV0197574 Photo Available	564 Name : Nanda Kurtikar Fathers Name: Datta Kurtikar House Number : 35 Age : 56 Gender : Male	MXY0945360 Photo Available	565 Name : Sujata Kurtikar Husbands Name: Shubhash Kurtikar House Number : 35 Age : 49 Gender : Female	ZOV0204453 Photo Available
566 Name : Nandisha Kurtikar Husbands Name: Nanda Kurtikar House Number : 35 Age : 48 Gender : Female	MXY1375427 Photo Available	567 Name : Rashmi Kurtikar Husbands Name: Ramesh Kurtikar House Number : 35 Age : 47 Gender : Female	ZOV0294405 Photo Available	568 Name : Sanjay Kurtikar Fathers Name: Datta Kurtikar House Number : 35 Age : 47 Gender : Male	MXY1380302 Photo Available
569 Name : Sanjana Kurtikar Husbands Name: Santosh Kurtikar House Number : 35 Age : 47 Gender : Female	MXY1357771 Photo Available	570 Name : Yogesh Kurtikar Fathers Name: Datta Kurtikar House Number : 35 Age : 46 Gender : Male	MXY0967521 Photo Available	571 Name : Ramesh Kurtikar Fathers Name: Datta Kurtikar House Number : 35 Age : 45 Gender : Male	MXY7744089 Photo Available
572 Name : Surekha Kurtikar Husbands Name: Sanjay Kurtikar House Number : 35 Age : 43 Gender : Female	ZOV0347765 Photo Available	573 Name : Sairaj Kurtikar Fathers Name: Subhash Kurtikar House Number : 35 Age : 23 Gender : Male	ZOV0386920 Photo Available	574 Name : Abhishek Kurtikar Fathers Name: Subhash Kurtikar House Number : 35 Age : 22 Gender : Male	ZOV0431031 Photo Available
575 Name : Smita Kurtiker Husbands Name: Yogesh Kurtiker House Number : 35 Age : 35 Gender : Female	WUC0193151 Photo Available	576 Name : Prerana Gaonkar Husbands Name: Parmanand Gaonkar House Number : 37 Age : 58 Gender : Female	ZOV0313502 Photo Available	S 577 Name : Devanand Gaonkar Fathers Name: Yeshwant Gaonkar House Number : 38 Age : 54 Gender : Male	ZOV0399949 Photo Available
S 578 Name : Shambhavi Gaonkar Husbands Name: Devanand Gaonkar House Number : 37 Age : 50 Gender : Female	MXY1389725 Photo Available	579 Name : Rajdurga Gaonkar Fathers Name: Parmanand Gaonkar House Number : 37 Age : 26 Gender : Female	ZOV0339200 Photo Available	E 580 Name : Chandrakant Naik Fathers Name: Molar Naik House Number : 38 Age : 64 Gender : Male	ZOV0202036 Photo Available
581 Name : Damodar Naik Fathers Name: Molar Naik House Number : 38 Age : 65 Gender : Male	ZOV0199638 Photo Available	582 Name : Shobha Naik Husbands Name: Damodar Naik House Number : 38 Age : 59 Gender : Female	ZOV0199687 Photo Available	583 Name : Sangeeta Naik Husbands Name: Chandrakant Naik House Number : 38 Age : 59 Gender : Female	ZOV0201129 Photo Available
584 Name : Devraj Naik Fathers Name: Damodar Naik House Number : 38 Age : 31 Gender : Male	ZOV0286674 Photo Available	585 Name : Deepika Naik Fathers Name: Damodar Naik House Number : 38b Age : 35 Gender : Female	ZOV0236851 Photo Available	586 Name : Dipraj Naik Fathers Name: Damodar Naik House Number : 38b Age : 33 Gender : Male	ZOV0236844 Photo Available
587 Name : Laxmi Kudalkar Husbands Name: Vishnu Kudalkar House Number : 39 Age : 69 Gender : Female	ZOV0399931 Photo Available	588 Name : Datta Kudalkar Fathers Name: Vishnu Kudalkar House Number : 39 Age : 49 Gender : Male	ZOV0399923 Photo Available	589 Name : Heena Kudalkar Husbands Name: Datta Kudalkar House Number : 39 Age : 49 Gender : Female	MXY1322361 Photo Available

590 Name : SANIL KUDALKAR Fathers Name: DATTA KUDALKAR House Number : 39 Age : 23 Gender : Male	ZOV0378679 Photo Available	591 Name : SEJAL KUDALKAR Fathers Name: DATTA KUDALKAR House Number : 39 Age : 20 Gender : Female	ZOV0435958 Photo Available	592 Name : Raj Katari Fathers Name: Shyambabu Katari House Number : 43 Age : 22 Gender : Male	ZOV0431247 Photo Available
S 593 Name : Sham Kataria Fathers Name: Mizanilla Kataria House Number : 43 Age : 44 Gender : Male	MXY1373265 Photo Available	594 Name : Anita Kataria Husbands Name: Sham Kataria House Number : 43 Age : 42 Gender : Female	MXY1373158 Photo Available	595 Name : Hari Naik Fathers Name: Tukaram Naik House Number : 43 Age : 72 Gender : Male	ZOV0399493 Photo Available
596 Name : Harsha Naik Husbands Name: Hari Naik House Number : 43 Age : 65 Gender : Female	ZOV0399485 Photo Available	597 Name : Hement Naik Fathers Name: Hari Naik House Number : 43 Age : 40 Gender : Male	MXY1372945 Photo Available	598 Name : Subodh Naik Fathers Name: Hari Naik House Number : 43 Age : 38 Gender : Male	MXY1367077 Photo Available
599 Name : Yogita Halarnekar Fathers Name: Ramkrishna Halarnekar House Number : 58/1 Age : 39 Gender : Female	URM0249896 Photo Available	600 Name : Bhiku Kolvalkar Fathers Name: Mahesh Kolvalkar House Number : 58/1 Age : 43 Gender : Male	ZOV0068015 Photo Available	601 Name : Shainaz Bi Sayad Husbands Name: Hamza Asif Sayad House Number : 63(3) Age : 42 Gender : Female	MXY1369230 Photo Available
602 Name : Nida Bi Saiyed Fathers Name: Abdul Jabbar Saiyed House Number : 63/3 Age : 26 Gender : Female	ZOV0342436 Photo Available	603 Name : Aaron Anthony Mendonsa Fathers Name: Caridade Inacio Mendonsa House Number : 63/6 Age : 22 Gender : Male	ZOV0417907 Photo Available	604 Name : Pranay Patil Fathers Name: Agant Patil House Number : 63 T F 301 Age : 24 Gender : Male	ZOV0414847 Photo Available
605 Name : Bahar Phadte Fathers Name: Mohanlal Phadte House Number : 63 UG - 001 F NO.001 Age : 24 Gender : Male	ZOV0384784 Photo Available	606 Name : SUMEDHA MAYEKAR Husbands Name: MEGHASHYAM MAYEKAR House Number : 64 FLAT NO SF-1 Age : 47 Gender : Female	ZOV0431171 Photo Available	607 Name : Manish Mayekar Fathers Name: Meghashyam Mayekar House Number : 64 Flat No SF-1 Age : 25 Gender : Female	ZOV0431163 Photo Available
608 Name : Trupti Mayekar Fathers Name: Meghashyam Mayekar House Number : 64 Flat no. SF-1 Age : 21 Gender : Female	ZOV0431155 Photo Available	609 Name : Meghashyam Mayekar Fathers Name: Bhaskar Mayekar House Number : 64 S F-1 2nd Floor Age : 62 Gender : Male	ZOV0431148 Photo Available	610 Name : AKHILESH KUMAR Fathers Name: EKBAL BAHADUR KUMAR House Number : 119 Age : 32 Gender : Male	AYL1265271 Photo Available
611 Name : Rohan Mhalsekar Fathers Name: Laxmikant Mhalsekar House Number : 183/64/4 Flat No 201 Age : 27 Gender : Male	ZOV0331736 Photo Available	612 Name : Jeena Assuma Mendonsa Fathers Name: James Mendonsa House Number : 636 Age : 29 Gender : Female	ZOV0328633 Photo Available	613 Name : Chetana Phayade Husbands Name: Adarsh Phayade House Number : F.No.S.1 Age : 37 Gender : Female	MXY1366541 Photo Available
614 Name : Ramzan Virani Fathers Name: Badruddin Virani House Number : F-1 Age : 56 Gender : Male	MXY1301332 Photo Available	615 Name : Roshan Virani Husbands Name: Ramzan Virani House Number : F2 Age : 47 Gender : Female	ZOV0333583 Photo Available	616 Name : SEKH KHAYRUL ISLAM Fathers Name: SEKH ABDUL JALIL House Number : F-2 Age : 36 Gender : Male	KJT1893578 Photo Available
617 Name : Reju Virani Fathers Name: Ramzan Virani House Number : F-2 Age : 27 Gender : Male	ZOV0331793 Photo Available	618 Name : Rahul Virani Fathers Name: Ramzan Virani House Number : F-2 Age : 27 Gender : Male	ZOV0331785 Photo Available	619 Name : Zakaria Fathers Name: Mahamad House Number : f-2 4th floor Age : 39 Gender : Male	MXY1359728 Photo Available

<p>620</p> <p>MVV1277771</p> <p>Name : Mugdha Manerikar Husbands Name: Sitaram Manerikar House Number : Flat no.104-B Age : 37 Gender : Female</p> <p>Photo</p> <p>Available</p>	<p>621</p> <p>ZOV0419317</p> <p>Name : Nityanand Naik Fathers Name: Vishram Naik House Number : Flat No B-301 Age : 44 Gender : Male</p> <p>Photo</p> <p>Available</p>	<p>622</p> <p>ZOV0419325</p> <p>Name : Sheetal Naik Husbands Name: Nityanand Naik House Number : Flat no.B-301, Age : 33 Gender : Female</p> <p>Photo</p> <p>Available</p>
<p>623</p> <p>ZOV0387043</p> <p>Name : ALLWYNA CRUZ Husbands Name: ROLA CRUZ House Number : FLATB/304,SUMIT MOUNT Age : 37 Gender : Female</p> <p>Photo</p> <p>Available</p>	<p>624</p> <p>MXY1377100</p> <p>Name : Sangappa Chimuli Fathers Name: Bimappa Chimuli House Number : Hut Age : 44 Gender : Male</p> <p>Photo</p> <p>Available</p>	<p>625</p> <p>MXY1374271</p> <p>Name : Sarita Latte Husbands Name: Bajappa Latte House Number : Hut Age : 59 Gender : Female</p> <p>Photo</p> <p>Available</p>
<p>626</p> <p>MXY9156621</p> <p>Name : Sushila Mali Husbands Name: Shivaji Mali House Number : Hut Age : 69 Gender : Female</p> <p>Photo</p> <p>Available</p>	<p>E 627</p> <p>MXY0232777</p> <p>Name : Suresh Mali Fathers Name: Shivaji Mali House Number : Hut Age : 54 Gender : Male</p> <p>Photo</p> <p>Available</p>	<p>628</p> <p>ZOV0273078</p> <p>Name : Anjana Mali Husbands Name: Suresh Mali House Number : Hut Age : 47 Gender : Female</p> <p>Photo</p> <p>Available</p>
<p>629</p> <p>MXY1370642</p> <p>Name : Chandbee Nadaf Fathers Name: Mohamedsab Nadaf House Number : Hut Age : 64 Gender : Female</p> <p>Photo</p> <p>Available</p>	<p>630</p> <p>MXY0966598</p> <p>Name : Subhani Pathan Fathers Name: Abdulkhadar Pathan House Number : Hut Age : 62 Gender : Male</p> <p>Photo</p> <p>Available</p>	<p>631</p> <p>MXY1351261</p> <p>Name : Saimabee Shaikh Husbands Name: R. Islam Shaikh House Number : Hut Age : 57 Gender : Female</p> <p>Photo</p> <p>Available</p>
<p>632</p> <p>MXY0945022</p> <p>Name : Madwalaya Ukkalimath Fathers Name: Sharmoyya Ukkalimath House Number : Hut Age : 54 Gender : Male</p> <p>Photo</p> <p>Available</p>	<p>633</p> <p>ZOV0074237</p> <p>Name : Shantayya Ukkalimath Fathers Name: Sharmayya Ukkalimath House Number : Hut Age : 45 Gender : Male</p> <p>Photo</p> <p>Available</p>	<p>634</p> <p>MXY1372770</p> <p>Name : Shivalingayya Ukkalimath Fathers Name: Bassayya Ukkalimath House Number : Hut Age : 39 Gender : Male</p> <p>Photo</p> <p>Available</p>
<p>635</p> <p>ZOV0372698</p> <p>Name : Siddhesh Sawant Fathers Name: Sanjay Sawant House Number : H. No. 21 Age : 24 Gender : Male</p> <p>Photo</p> <p>Available</p>	<p>636</p> <p>ZOV0427252</p> <p>Name : Vinay Sawant Fathers Name: Sanjay Sawant House Number : H. NO. 21 Age : 21 Gender : Male</p> <p>Photo</p> <p>Available</p>	<p>637</p> <p>ZOV0316935</p> <p>Name : Sanjay Sawant Fathers Name: Bapu Sawant House Number : H.NO. 21 Age : 48 Gender : Male</p> <p>Photo</p> <p>Available</p>
<p>638</p> <p>ZOV0316943</p> <p>Name : Sailee Sawant Husbands Name: Sanjay Sawant House Number : H.NO.21 Age : 46 Gender : Female</p> <p>Photo</p> <p>Available</p>	<p>639</p> <p>ZOV0422949</p> <p>Name : Khushboo khatun Ansari Fathers Name: Mohammad Taiyab Ansari House Number : H.No.25 Bazar moli curtli Age : 24 Gender : Female</p> <p>Photo</p> <p>Available</p>	<p>640</p> <p>ZOV0426742</p> <p>Name : Ritik Rajesh Gosavi Fathers Name: Rajesh Gosavi House Number : H No 28 Age : 21 Gender : Male</p> <p>Photo</p> <p>Available</p>
<p>641</p> <p>ZOV0441410</p> <p>Name : Kedarnath Sanjay Phadte Mothers Name: SHITAL PHADTE House Number : H.No 33 Age : 19 Gender : Male</p> <p>Photo</p> <p>Available</p>	<p>642</p> <p>ZOV0445114</p> <p>Name : SADIQ SAYKALGAR Fathers Name: KHALEEL AHAMMAD SAYKALGAR House Number : H. No. 23/1A Age : 24 Gender : Male</p> <p>Photo</p> <p>Available</p>	<p>643</p> <p>ZOV0444059</p> <p>Name : ARSHIYA MULLA MULLA Fathers Name: MAINUDDIN MULLA House Number : H. No. 28/9 Age : 20 Gender : Female</p> <p>Photo</p> <p>Available</p>
<p>644</p> <p>DZX4075412</p> <p>Name : Agant Patil Fathers Name: Appaji Patil House Number : H.No.63, TF-301 Age : 51 Gender : Male</p> <p>Photo</p> <p>Available</p>	<p>645</p> <p>DZX4075420</p> <p>Name : Ashwini Patil Husbands Name: Agant Patil House Number : H.No.63, TF-301, Age : 49 Gender : Female</p> <p>Photo</p> <p>Available</p>	<p>646</p> <p>ZOV0356154</p> <p>Name : Adarsh Phayade Fathers Name: Chandrakant Phayade House Number : S-1 Age : 36 Gender : Male</p> <p>Photo</p> <p>Available</p>
<p>647</p> <p>ZOV0348185</p> <p>Name : Aparna Bangale Husbands Name: Surendra Bangale House Number : S2 Age : 43 Gender : Female</p> <p>Photo</p> <p>Available</p>	<p>648</p> <p>ZOV0437749</p> <p>Name : Prachi Priolkar Fathers Name: Bhuvan Priolkar House Number : UB/3 Age : 21 Gender : Female</p> <p>Photo</p> <p>Available</p>	

<p>649 1 ZOV0236810</p> <p>Name : Hamza Hussani Mulla Fathers Name: Ailabaksh Mulla House Number : Flat No. F-2, Usha Niwas Age : 41 Gender : Male</p> <p>Photo Available</p>	<p>650 1 WBZ0245084</p> <p>Name : Shabana Khan Husbands Name: Mohammed Ali Khan House Number : house no. 64 Age : 35 Gender : Female</p> <p>Photo Available</p>	<p>651 2 ZOV0446617</p> <p>Name : Sneha Kurtikar Fathers Name: Nanda Kurtikar House Number : H.no 35 Age : 19 Gender : Female</p> <p>Photo Available</p>
<p>652 2 ZOV0446625</p> <p>Name : Siddhesh Dhamaskar Fathers Name: Maheshwar Dhamaskar House Number : H. No. 41 Age : 19 Gender : Male</p> <p>Photo Available</p>	<p>653 2 ZOV0446633</p> <p>Name : Shaheen Sayyad Fathers Name: Abdul Raheem Sayyad House Number : H. No. 24/1 Bazarmol Age : 21 Gender : Female</p> <p>Photo Available</p>	<p>654 2 ZOV0446666</p> <p>Name : Sai Rane Fathers Name: Pravin Rane House Number : H. No. 34 Age : 19 Gender : Female</p> <p>Photo Available</p>
<p>655 2 ZOV0446674</p> <p>Name : Rania Larisha Dias Fathers Name: Roberto Dias House Number : 18/A-1 Age : 19 Gender : Female</p> <p>Photo Available</p>	<p>656 2 ZOV0446682</p> <p>Name : Nandini Naik Fathers Name: Brahmanand Naik House Number : 13/4 Apal Kripa Age : 19 Gender : Female</p> <p>Photo Available</p>	<p>657 2 ZOV0447052</p> <p>Name : saloni santosh kurtikar Fathers Name: santosh naik naik House Number : 35 Age : 18 Gender : Female</p> <p>Photo Available</p>
<p>658 1 ZOV0185504</p> <p>Name : Mohamed Rafik Panigatti Fathers Name: Mohamed Yusuf Panigatti House Number : M F 31 Age : 47 Gender : Male</p> <p>Photo Available</p>	<p>659 1 ZOV0185546</p> <p>Name : Fatima Panigatti Fathers Name: Mohammed Gous Panigatti House Number : M F 1 Age : 67 Gender : Female</p> <p>Photo Available</p>	<p>660 2 ZOV0369033</p> <p>Name : Mahaboni Sayed Fathers Name: Yusuf Sayed House Number : H no 25 Age : 41 Gender : Female</p> <p>Photo Available</p>
<p>661 2 ZOV0447383</p> <p>Name : Avani Vijay Khatri Husbands Name: Vijay Khatri House Number : 34 Age : 29 Gender : Female</p> <p>Photo Available</p>	<p>662 2 ZOV0447839</p> <p>Name : ANWAR SAYED Fathers Name: MOHAMMED SAYED House Number : H.NO 24 Age : 60 Gender : Male</p> <p>Photo Available</p>	<p>663 1 ZOV0449744</p> <p>Name : Atul Naik Fathers Name: Ulhas Naik House Number : L-B-9 Age : 18 Gender : Male</p> <p>Photo Available</p>

SUMMARY OF ELECTORS							
A) NUMBER OF ELECTORS							
		Roll Type	Roll Identification	NUMBER OF ELECTORS			
				Male	Female	Third Gender	Total
I	Mother Roll	Mother Roll	Basic Roll of Special Summary Revision 2024 published on 27-10-2023 integrated with Additions, Deletions and Modifications carried out during Special Summary Revision 2024.	328	320	0	648
II	1- List of Additions	Supplement 1	Special Summary Revision 2024	5	10	0	15
III	2- List of Deletions	Supplement 1	Special Summary Revision 2024	7	7	0	14
IV	Difference due to modification in Gender field			0	0	0	0
Net Elector in this Roll after this Revision (I+II-III+IV)				326	323	0	649

B) NUMBER OF MODIFICATIONS		
Roll Type	Roll Identification	NUMBER OF MODIFICATIONS
Supplement 1	Special Summary Revision 2024	6

Signature of Electoral Registration Officer

E-Expired S-Shifted/Change of Residence R-Duplicate M-Missing Q-Disqualified