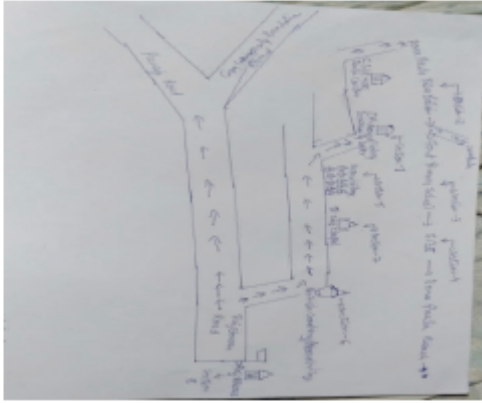


## ELECTORAL ROLL 2024 S05 Goa

No. Name and Reservation Status of Assembly Constituency : 12 - TALEIGAO (GEN)				Part No. : 15															
No. Name and Reservation Status of Parliamentary Constituency(ies) in which the Assembly Constituency is located : 1 - NORTH GOA (GEN)																			
<b>1. Details of Revision</b>																			
<b>Year of Revision</b>	2024	<b>Roll Identification</b>																	
<b>Qualifying Date</b>	01-01-2024	Basic Roll of Special Summary Revision 2024 published on 27-10-2023 integrated with Additions, Deletions and Modifications carried out during Special Summary Revision 2024.																	
<b>Type of revision</b>	Special Summary Revision 2024																		
<b>Date of Updation</b>	05-01-2024																		
<b>2. Details of part and polling area</b>																			
<b>No. and name of sections in the part</b>																			
1-La Marvel Colony, Dona Paula 2-Near CBI & Jetty, Dona Paula 3-Near Govt. Primary School, Dona Paula 4-Near SBI, Dona Paula 5-Marvel / La Marvel, Dona Paula 6-Near British Cementry / Marvel, Dona Paula 7-Near St. Cruz Chapel, Marvel, Dona Paula 8-Raj Bhavan, Dona Paula	<table style="width: 100%; border-collapse: collapse;"> <tr> <td style="width: 60%; padding: 5px;">Main Town or Village</td> <td style="padding: 5px;">: PANAJI</td> </tr> <tr> <td style="padding: 5px;">Post Office</td> <td style="padding: 5px;">: NIO DONA PAULA</td> </tr> <tr> <td style="padding: 5px;">Police Station</td> <td style="padding: 5px;">: PANAJI</td> </tr> <tr> <td style="padding: 5px;">Block</td> <td style="padding: 5px;">: TISWADI</td> </tr> <tr> <td style="padding: 5px;">Subdivision</td> <td style="padding: 5px;">: PANAJI</td> </tr> <tr> <td style="padding: 5px;">District</td> <td style="padding: 5px;">: NORTH GOA</td> </tr> <tr> <td style="padding: 5px;">Pin code</td> <td style="padding: 5px;">: 403004</td> </tr> </table>					Main Town or Village	: PANAJI	Post Office	: NIO DONA PAULA	Police Station	: PANAJI	Block	: TISWADI	Subdivision	: PANAJI	District	: NORTH GOA	Pin code	: 403004
Main Town or Village	: PANAJI																		
Post Office	: NIO DONA PAULA																		
Police Station	: PANAJI																		
Block	: TISWADI																		
Subdivision	: PANAJI																		
District	: NORTH GOA																		
Pin code	: 403004																		
<b>3. Polling station details</b>																			
<b>No. and Name of Polling Station :</b>	<b>Type of Polling Station (Male/Female/General)</b>		General																
15 - Govt. Primary & High School, (Std. I Class), Dona Paula - Goa	<b>Number of Auxiliary Polling Stations in this part :</b>		0																
<b>Address of Polling Station :</b>	Govt. Primary & High School, Dona Paula - Goa																		
<b>4. NUMBER OF ELECTORS</b>																			
<b>Starting</b>	<b>Ending</b>	<b>Net Electors</b>																	
<b>Serial No.</b>	<b>Serial No.</b>	<b>Male</b>	<b>Female</b>	<b>Third Gender</b>	<b>Total</b>														
1	668	291	344	0	635														

Signature of Electoral Registration Officer

Nazri Naksha



Google Map View



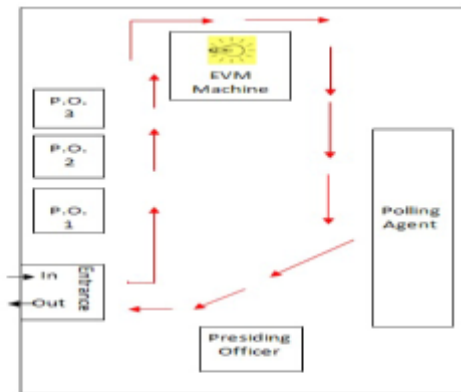
Polling Station Building Front View



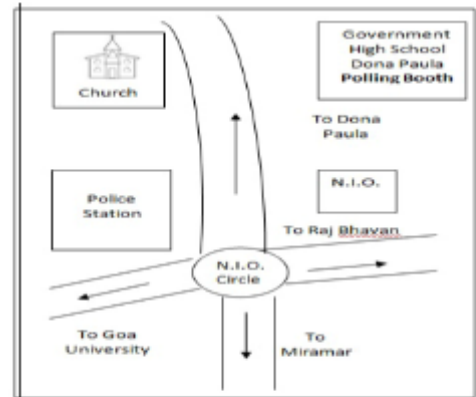
Polling Station Front View



Cad View



Key MAP View



<p>1</p> <p>INX0402230</p> <p>Name : PRATIK GAWADE Fathers Name: GOPAL GAWADE House Number : 718/A Age : 25 Gender : Male</p> <p>Photo Available</p>	<p>2</p> <p>INX0405639</p> <p>Name : Ivor D'Souza Fathers Name: Benedict D' Souza House Number : 15/621 Age : 23 Gender : Male</p> <p>Photo Available</p>	<p>3</p> <p>CCQ0842757</p> <p>Name : Magdalena Afonso Husbands Name: Victor Rodrigues House Number : 15/718 Age : 51 Gender : Female</p> <p>Photo Available</p>
<p>4</p> <p>INX0246801</p> <p>Name : Nonna Marie Aitken Husbands Name: David Malcolm Aitken House Number : 15/691/2 Age : 77 Gender : Female</p> <p>Photo Available</p>	<p>5</p> <p>INX0216135</p> <p>Name : Mala Patil Husbands Name: Hanumant Patil House Number : 25 Age : 56 Gender : Female</p> <p>Photo Available</p>	<p>6</p> <p>INX0216739</p> <p>Name : Nagappa Patil Fathers Name: Hanumant Patil House Number : 25 Age : 34 Gender : Male</p> <p>Photo Available</p>
<p>7</p> <p>INX0298851</p> <p>Name : Ramesh Gawade Fathers Name: Late Ishwar Gawade House Number : 395 Age : 52 Gender : Male</p> <p>Photo Available</p>	<p>8</p> <p>CCQ5143383</p> <p>Name : Prokash D. Biswas Husbands Name: Dilip Biswas House Number : 396 Age : 57 Gender : Female</p> <p>Photo Available</p>	<p>9</p> <p>INX0404954</p> <p>Name : CELESTINA DE SOUZA Others : VINCENT DE ARAUJO House Number : 407 Age : 60 Gender : Female</p> <p>Photo Available</p>
<p>10</p> <p>TKZ0241166</p> <p>Name : Tejaswini Naik Fathers Name: Ashwin Naik House Number : 423 Age : 37 Gender : Female</p> <p>Photo Available</p>	<p>11</p> <p>INX0397703</p> <p>Name : Denzil Cabral Mothers Name: Benedita Cabral House Number : 528 Age : 34 Gender : Male</p> <p>Photo Available</p>	<p>12</p> <p>INX0451435</p> <p>Name : Valencia Apolonia Cabral Mothers Name: Philomena Cruz Cabral House Number : 530 Age : 30 Gender : Female</p> <p>Photo Available</p>
<p>13</p> <p>INX0392670</p> <p>Name : Deepak Bajantri Fathers Name: Maruli Bhajantri House Number : 543 Age : 36 Gender : Male</p> <p>Photo Available</p>	<p>14</p> <p>INX0392688</p> <p>Name : Shilpa Kurade Husbands Name: Deepak Bajantri House Number : 543 Age : 30 Gender : Female</p> <p>Photo Available</p>	<p>15</p> <p>INX0285288</p> <p>Name : Vaikunth Gopal Salgaonkar Fathers Name: Gopal Salgaonkar House Number : 598/A Age : 88 Gender : Male</p> <p>Photo Available</p>
<p>16</p> <p>INX0285296</p> <p>Name : Asha Vaikunth Salgaonkar Husbands Name: Vaikunth Salgaonkar House Number : 598/A Age : 77 Gender : Female</p> <p>Photo Available</p>	<p>17</p> <p>INX0285312</p> <p>Name : Sunil Vaikunth Salgaonkar Fathers Name: Vaikunth Salgaonkar House Number : 598/A Age : 47 Gender : Male</p> <p>Photo Available</p>	<p>18</p> <p>INX0285346</p> <p>Name : Gauri Vaikunth Salgaonkar Fathers Name: Vaikunth Salgaonkar House Number : 598/A Age : 45 Gender : Female</p> <p>Photo Available</p>
<p>19</p> <p>INX0285304</p> <p>Name : Shekhar Vaikunth Salgaonkar Fathers Name: Vaikunth Salgaonkar House Number : 598/A Age : 48 Gender : Male</p> <p>Photo Available</p>	<p>20</p> <p>INX0316513</p> <p>Name : Yamini Ravi Menezes Husbands Name: Ravi Menezes House Number : 603 Age : 53 Gender : Female</p> <p>Photo Available</p>	<p>21</p> <p>CCQ8317232</p> <p>Name : Alice Joseph Menezes Husbands Name: Joseph Menezes House Number : 603-A Age : 89 Gender : Female</p> <p>Photo Available</p>
<p>22</p> <p>INX0431908</p> <p>Name : Ravi Joseph Menezes Fathers Name: Joseph Menezes House Number : 603-A Age : 58 Gender : Male</p> <p>Photo Available</p>	<p>23</p> <p>INX0250696</p> <p>Name : Maria Leonor Godinho Husbands Name: Luz Aleixo Godinho House Number : 604 Age : 81 Gender : Female</p> <p>Photo Available</p>	<p>24</p> <p>INX0307868</p> <p>Name : Daegal Felipe Godinho Fathers Name: Luz Aleixo Godinho House Number : 604 Age : 47 Gender : Male</p> <p>Photo Available</p>
<p>25</p> <p>INX0357285</p> <p>Name : Zenisha Gonsalves Mothers Name: Ayesha Gonsalves House Number : 642/D-13 Age : 29 Gender : Female</p> <p>Photo Available</p>	<p>26</p> <p>INX0404665</p> <p>Name : Taran Mukherjee Fathers Name: Pranab Mukhopadhyay House Number : 643 D14 Age : 24 Gender : Male</p> <p>Photo Available</p>	<p>27</p> <p>INX0439141</p> <p>Name : Ananya Mukherjee Fathers Name: Pranab Mukhopadhyay House Number : 643, D-14 Age : 22 Gender : Female</p> <p>Photo Available</p>
<p>28</p> <p>CCQ8321606</p> <p>Name : Auduth Madhusudan Timblo Fathers Name: Madhusudan Timblo House Number : 690 Age : 74 Gender : Male</p> <p>Photo Available</p>	<p>29</p> <p>CCQ8321598</p> <p>Name : Anju Auduth Timblo Husbands Name: Auduth Timblo House Number : 690 Age : 73 Gender : Female</p> <p>Photo Available</p>	<p>30</p> <p>INX0336248</p> <p>Name : Riya Ashmita Sequeira Shetty Fathers Name: Manohar Narayan Shetty House Number : 691-1 Age : 32 Gender : Female</p> <p>Photo Available</p>

<p>31</p> <p>INX0070870</p> <p>Name : Jolly Mascarenhas Husbands Name: Lambret Mascarenhas House Number : 695 Age : 87 Gender : Female</p> <p>Photo Available</p>	<p>32</p> <p>CCQ9060930</p> <p>Name : Armeeta Mascarenhas Others: Lambert Mascarenhas House Number : 695 Age : 60 Gender : Female</p> <p>Photo Available</p>	<p>33</p> <p>INX0431767</p> <p>Name : Jude Mascarenhas Fathers Name: Lambret Mascarenhas House Number : 695 Age : 58 Gender : Male</p> <p>Photo Available</p>
<p>34</p> <p>INX0216192</p> <p>Name : Rekha Saroj Husbands Name: Raja Saroj House Number : 697/b Age : 51 Gender : Female</p> <p>Photo Available</p>	<p>35</p> <p>INX0216234</p> <p>Name : Raja Saroj Fathers Name: Rajendra P Saroj House Number : 697/B Age : 49 Gender : Male</p> <p>Photo Available</p>	<p>S 36</p> <p>INX0246819</p> <p>Name : Kutubuddin Kilabanur Fathers Name: Huseinab Kilabanur House Number : 697/c Age : 57 Gender : Male</p> <p>Photo Available</p>
<p>S 37</p> <p>INX0390732</p> <p>Name : Riyazahamad Kilabanur Fathers Name: Kutubuddin Kilabanur House Number : 701 Age : 26 Gender : Male</p> <p>Photo Available</p>	<p>38</p> <p>INX0408385</p> <p>Name : Mangala Kuswa Husbands Name: Rajkumar Kuswa House Number : 701 Age : 49 Gender : Female</p> <p>Photo Available</p>	<p>39</p> <p>INX0408393</p> <p>Name : Chandrashekar Kuswa Fathers Name: Rajkumar Kuswa House Number : 701 Age : 23 Gender : Male</p> <p>Photo Available</p>
<p>40</p> <p>INX0451450</p> <p>Name : Pedro Lino Fernandes Fathers Name: Caetano A Fernandes House Number : 706 Age : 55 Gender : Male</p> <p>Photo Available</p>	<p>41</p> <p>INX0451476</p> <p>Name : Catarina Fernandes Husbands Name: Pedro Lino Fernandes House Number : 706 Age : 51 Gender : Female</p> <p>Photo Available</p>	<p>42</p> <p>CCQ0819151</p> <p>Name : Rupesh Naik Fathers Name: Ratnakar Naik House Number : 711 Age : 44 Gender : Male</p> <p>Photo Available</p>
<p>43</p> <p>CCQ0819284</p> <p>Name : Smita Naik Husbands Name: Rupesh Naik House Number : 711 Age : 39 Gender : Female</p> <p>Photo Available</p>	<p>44</p> <p>CCQ0435032</p> <p>Name : Antonio Agnelo Alvares Fathers Name: Jose Caetan Alvares House Number : 711B Age : 85 Gender : Male</p> <p>Photo Available</p>	<p>45</p> <p>CCQ0409300</p> <p>Name : Santani Camelo Husbands Name: Antonio Alvares House Number : 711B Age : 73 Gender : Female</p> <p>Photo Available</p>
<p>46</p> <p>INX0316604</p> <p>Name : Leslie D'Souza Fathers Name: Francis D'Souza House Number : 711-C Age : 45 Gender : Male</p> <p>Photo Available</p>	<p>47</p> <p>CCQ0186809</p> <p>Name : Adelina Pires Husbands Name: Santan Rodrigues House Number : 713 Age : 69 Gender : Female</p> <p>Photo Available</p>	<p>48</p> <p>INX0410167</p> <p>Name : Carmina Gonsalves Husbands Name: Eduardo Fernandes House Number : 715 Age : 65 Gender : Female</p> <p>Photo Available</p>
<p>49</p> <p>CCQ9296294</p> <p>Name : David Francisco Fernandes Fathers Name: Francisco Fernandes House Number : 715/D Age : 64 Gender : Male</p> <p>Photo Available</p>	<p>50</p> <p>CCQ2633964</p> <p>Name : Raju Francisco David Fernandes Fathers Name: David Fernandes House Number : 715/D Age : 44 Gender : Male</p> <p>Photo Available</p>	<p>51</p> <p>INX0285338</p> <p>Name : Natalia D'Mello Husbands Name: Francisco D'Mello House Number : 716 Age : 54 Gender : Female</p> <p>Photo Available</p>
<p>52</p> <p>CCQ0186817</p> <p>Name : Nicolau Rodrigues Fathers Name: Antonio Rodrigues House Number : 717-B Age : 61 Gender : Male</p> <p>Photo Available</p>	<p>53</p> <p>CCQ0186866</p> <p>Name : Tecla Rosario Gracias Husbands Name: Rosario Rodrigues House Number : 717-I Age : 63 Gender : Female</p> <p>Photo Available</p>	<p>54</p> <p>CCQ0186858</p> <p>Name : Rosario Antonio Rodrigues Fathers Name: Antonio Rodrigues House Number : 717-I Age : 66 Gender : Male</p> <p>Photo Available</p>
<p>55</p> <p>CCQ9296567</p> <p>Name : Vincent Rodrigues Fathers Name: Francis Rodrigues House Number : 718 Age : 79 Gender : Male</p> <p>Photo Available</p>	<p>56</p> <p>CCQ8321309</p> <p>Name : Pascoal Vincent Rodrigues Fathers Name: Vincent Rodrigues House Number : 718 Age : 53 Gender : Male</p> <p>Photo Available</p>	<p>57</p> <p>CCQ5412564</p> <p>Name : Platilda Leonida Rodrigues Husbands Name: Pascoal Rodrigues House Number : 718 Age : 50 Gender : Female</p> <p>Photo Available</p>
<p>58</p> <p>INX0431817</p> <p>Name : Gopal Gawade Fathers Name: Ishwar Gawade House Number : 718/A Age : 54 Gender : Male</p> <p>Photo Available</p>	<p>59</p> <p>CCQ9297110</p> <p>Name : Jivita Gawade Husbands Name: Gopal Gawade House Number : 718/A Age : 50 Gender : Female</p> <p>Photo Available</p>	<p>60</p> <p>INX0364588</p> <p>Name : Chandu Ballari Mothers Name: Mariamma Ballari House Number : 718/E Age : 28 Gender : Male</p> <p>Photo Available</p>

<p>61</p> <p>INX0338699</p> <p>Name : Marilamma Bellary Husbands Name: Ajay Bellary House Number : 718/E Age : 47 Gender : Female</p> <p>Photo</p> <p>Available</p>	<p>62</p> <p>CCQ5155189</p> <p>Name : Moley Dilip Biswas Fathers Name: Dilip Biswas House Number : 720 Age : 54 Gender : Male</p> <p>Photo</p> <p>Available</p>	<p>63</p> <p>INX0314302</p> <p>Name : Krishna Biswas Husbands Name: Moley Biswas House Number : 720 Age : 47 Gender : Female</p> <p>Photo</p> <p>Available</p>
<p>64</p> <p>CCQ5412598</p> <p>Name : Baddu Chavan Fathers Name: Nemaji Chavan House Number : 720 Age : 60 Gender : Male</p> <p>Photo</p> <p>Available</p>	<p>65</p> <p>CCQ9302068</p> <p>Name : Heera Chavan Husbands Name: Badu Chavan House Number : 720 Age : 56 Gender : Female</p> <p>Photo</p> <p>Available</p>	<p>66</p> <p>INX0269795</p> <p>Name : Parshuram B. Chavan Fathers Name: Baddu Chavan House Number : 720 Age : 33 Gender : Male</p> <p>Photo</p> <p>Available</p>
<p>67</p> <p>INX0320424</p> <p>Name : Vikram Naik Fathers Name: Santosh Naik House Number : 720 Age : 32 Gender : Male</p> <p>Photo</p> <p>Available</p>	<p>68</p> <p>CCQ0186890</p> <p>Name : Nazareno Rodrigues Fathers Name: Francis Rodrigues House Number : 720 Age : 72 Gender : Male</p> <p>Photo</p> <p>Available</p>	<p>69</p> <p>CCQ0186916</p> <p>Name : Rosario Rodrigues Fathers Name: Nazareno Rodrigues House Number : 720 Age : 67 Gender : Female</p> <p>Photo</p> <p>Available</p>
<p>70</p> <p>CCQ0435404</p> <p>Name : Franky Rodrigues Fathers Name: Nazareno Rodrigues House Number : 720 Age : 41 Gender : Male</p> <p>Photo</p> <p>Available</p>	<p>71</p> <p>INX0390690</p> <p>Name : Ajay Saroj Mothers Name: Rajkumari Saroj House Number : 720 Age : 27 Gender : Male</p> <p>Photo</p> <p>Available</p>	<p>72</p> <p>CCQ0822874</p> <p>Name : Vresh N. Shirur Fathers Name: Nagesh Shirur House Number : 720 Age : 39 Gender : Male</p> <p>Photo</p> <p>Available</p>
<p>73</p> <p>CCQ0822866</p> <p>Name : Manisha Shirur Husbands Name: Vresh Shirur House Number : 720 Age : 35 Gender : Female</p> <p>Photo</p> <p>Available</p>	<p>74</p> <p>CCQ5155031</p> <p>Name : Amrit Boro Fathers Name: Bipin Boro House Number : 720-j Age : 43 Gender : Male</p> <p>Photo</p> <p>Available</p>	<p>75</p> <p>CCQ0187104</p> <p>Name : Caetano Menino Fernandes Fathers Name: Menino Fernandes House Number : 722 Age : 46 Gender : Male</p> <p>Photo</p> <p>Available</p>
<p>76</p> <p>INX0389189</p> <p>Name : Antonio Simon Fernandes Mothers Name: Fatima Camilo House Number : 722 Age : 37 Gender : Male</p> <p>Photo</p> <p>Available</p>	<p>77</p> <p>CCQ0435685</p> <p>Name : Regina Souza Husbands Name: Aleixo Fernandes House Number : 722 Age : 53 Gender : Female</p> <p>Photo</p> <p>Available</p>	<p>78</p> <p>CCQ0186429</p> <p>Name : Joazinho Cabral Fathers Name: Luis Cabral House Number : 723 Age : 58 Gender : Male</p> <p>Photo</p> <p>Available</p>
<p>79</p> <p>CCQ0186437</p> <p>Name : Isabel Joazinho Cabral Husbands Name: Joazinho Cabral House Number : 723 Age : 53 Gender : Female</p> <p>Photo</p> <p>Available</p>	<p>80</p> <p>CCQ0187344</p> <p>Name : Lourenco Rodrigues Fathers Name: Luis Rodrigues House Number : 726 Age : 77 Gender : Male</p> <p>Photo</p> <p>Available</p>	<p>81</p> <p>CCQ2626232</p> <p>Name : Rampyari Saroj Husbands Name: Manku Saroj House Number : 732 Age : 77 Gender : Female</p> <p>Photo</p> <p>Available</p>
<p>82</p> <p>CCQ2626240</p> <p>Name : Rajkumari Saroj Fathers Name: Rajendra Prasad Saroj House Number : 732 Age : 55 Gender : Female</p> <p>Photo</p> <p>Available</p>	<p>83</p> <p>INX0269597</p> <p>Name : Santosh Saroj Fathers Name: Manaku Saroj House Number : 732 Age : 46 Gender : Male</p> <p>Photo</p> <p>Available</p>	<p>84</p> <p>INX0269589</p> <p>Name : Shanta Saroj Husbands Name: Santosh Saroj House Number : 732 Age : 39 Gender : Female</p> <p>Photo</p> <p>Available</p>
<p>85</p> <p>INX0397711</p> <p>Name : Kiran Kumari Pandit Fathers Name: Raju Pandit House Number : A-15 Age : 24 Gender : Female</p> <p>Photo</p> <p>Available</p>	<p>86</p> <p>ZMI0237719</p> <p>Name : Prachya Deb Mukharjee Fathers Name: Probar Deb Mukharjee House Number : A/21 Casa Gracias Age : 65 Gender : Male</p> <p>Photo</p> <p>Available</p>	<p>87</p> <p>ZMI0237727</p> <p>Name : Suraya Maria Libania Souza Costa Husbands Name: Prachya Deb Mukharjee House Number : A/21 Casa Gracias Age : 51 Gender : Female</p> <p>Photo</p> <p>Available</p>
<p>88</p> <p>INX0350843</p> <p>Name : Sayara Khan Fathers Name: Isha Khan House Number : A-2/2 Age : 38 Gender : Female</p> <p>Photo</p> <p>Available</p>	<p>89</p> <p>INX0391151</p> <p>Name : Christopher Mascarenhas Fathers Name: Godfrey Mascarenhas House Number : B7 Age : 65 Gender : Male</p> <p>Photo</p> <p>Available</p>	<p>90</p> <p>INX0321042</p> <p>Name : Rekha Amelia Menezes Fathers Name: J.D. Menezes House Number : B-11 Age : 57 Gender : Female</p> <p>Photo</p> <p>Available</p>

<p>91</p> <p>INX0431965</p> <p>Name : Noel Noronha                      Fathers Name: Joao Francisco Noronha                      House Number : C3                      Age : 53 Gender : Male</p> <p>Photo Available</p>	<p>92</p> <p>UBO0238048</p> <p>Name : Ana Soraya Furtado Cabral                      Fathers Name: Ivo Furtado Cabral                      House Number : C-3                      Age : 50 Gender : Female</p> <p>Photo Available</p>	<p>93</p> <p>RNM0189639</p> <p>Name : Karen Monteiro                      Fathers Name: Harold Monteiro                      House Number : C-16                      Age : 32 Gender : Female</p> <p>Photo Available</p>
<p>94</p> <p>INX0400093</p> <p>Name : Lisandra Helena Pereira                      Fathers Name: Gregory Pereira                      House Number : C-17-A                      Age : 24 Gender : Female</p> <p>Photo Available</p>	<p>95</p> <p>INX0330423</p> <p>Name : Rakesh Banappa                      Fathers Name: Kalappa Banappa                      House Number : C-1-00                      Age : 30 Gender : Male</p> <p>Photo Available</p>	<p>96</p> <p>INX0411173</p> <p>Name : Rosemarie Beatrice De Souza                      Others: Clayton Mark Joseph De Souza                      House Number : C/15/675                      Age : 66 Gender : Female</p> <p>Photo Available</p>
<p>97</p> <p>INX0363580</p> <p>Name : Mridula Gupta                      Husbands Name: Deepak Gupta                      House Number : D2-C                      Age : 70 Gender : Female</p> <p>Photo Available</p>	<p>98</p> <p>CCQ8321648</p> <p>Name : Yogesh Kinnerkar                      Fathers Name: Pramod Kinnerkar                      House Number : D-9                      Age : 53 Gender : Male</p> <p>Photo Available</p>	<p>99</p> <p>CCQ8322026</p> <p>Name : Pramod Kinnerkar                      Fathers Name: Shantaram Kinnerkar                      House Number : D-9                      Age : 84 Gender : Male</p> <p>Photo Available</p>
<p>100</p> <p>CCQ8322018</p> <p>Name : Seema Kinnerkar                      Husbands Name: Pramod Kinnerkar                      House Number : D-9                      Age : 77 Gender : Female</p> <p>Photo Available</p>	<p>101</p> <p>CCQ8321630</p> <p>Name : Pallavi Kinnerkar                      Husbands Name: Yogesh Kinnerkar                      House Number : D-9                      Age : 46 Gender : Female</p> <p>Photo Available</p>	<p>102</p> <p>INX0405795</p> <p>Name : Sahil Kinnerkar                      Fathers Name: Yogesh Kinnerkar                      House Number : D-9                      Age : 23 Gender : Male</p> <p>Photo Available</p>
<p>103</p> <p>INX0409409</p> <p>Name : Ayesha Mariella DSouza                      Fathers Name: Avertanus Luis D'Souza                      House Number : D-13                      Age : 50 Gender : Female</p> <p>Photo Available</p>	<p>104</p> <p>INX0436410</p> <p>Name : Jared Joshua Lobo                      Fathers Name: Clive Anthony Lobo                      House Number : D-19                      Age : 23 Gender : Male</p> <p>Photo Available</p>	<p>105</p> <p>INX0357327</p> <p>Name : Keith Carlos Ferro                      Mothers Name: Fatima Roncon                      House Number : D-18/647                      Age : 46 Gender : Male</p> <p>Photo Available</p>
<p>106</p> <p>INX0448647</p> <p>Name : Sanika Sud                      Fathers Name: Nitin Sud                      House Number : E-14                      Age : 25 Gender : Female</p> <p>Photo Available</p>		

<p>107</p> <p>INX0403527</p> <p>Name : NARENDRA NATH KINI Others: KUSUM KINI House Number : FLAT 302 T-01 Age : 66 Gender : Male</p> <p>Photo</p> <p>Available</p>	<p>108</p> <p>INX0403535</p> <p>Name : KUSUM KINI Husbands Name: NARENDRA NATH KINI House Number : FLAT 302 T-01 Age : 66 Gender : Female</p> <p>Photo</p> <p>Available</p>	<p>109</p> <p>INX0217604</p> <p>Name : Gangadhar Devarmani Fathers Name: Devendra Devarmani House Number : 2 Age : 48 Gender : Male</p> <p>Photo</p> <p>Available</p>
<p>110</p> <p>INX0217596</p> <p>Name : Vaishali Devarmani Husbands Name: Gangadhar Devarmani House Number : 2 Age : 41 Gender : Female</p> <p>Photo</p> <p>Available</p>	<p>111</p> <p>CCQ9306242</p> <p>Name : Vinita Zachariam Fathers Name: V. Paulose Zachariam House Number : 10 Age : 65 Gender : Female</p> <p>Photo</p> <p>Available</p>	<p>112</p> <p>CCQ5412556</p> <p>Name : Gertrudes Rosaria Estrochio Husbands Name: Roque Almeida House Number : 12/523 Age : 56 Gender : Female</p> <p>Photo</p> <p>Available</p>
<p>113</p> <p>CNB2624500</p> <p>Name : Rosa Maria Rodrigues Husbands Name: Ariston Coutinho House Number : 15/549 Age : 39 Gender : Female</p> <p>Photo</p> <p>Available</p>	<p>114</p> <p>INX0458380</p> <p>Name : Pranali Naik Husbands Name: Ullhas Naik House Number : 15/567 Age : 45 Gender : Female</p> <p>Photo</p> <p>Available</p>	<p>115</p> <p>INX0377853</p> <p>Name : Farida Bi Shaikh Husbands Name: Abdul Razak Shaikh House Number : 19 Age : 62 Gender : Female</p> <p>Photo</p> <p>Available</p>
<p>116</p> <p>INX0357251</p> <p>Name : Shanice Sousa Pereira Fathers Name: Darryl Pereira House Number : 21/440/1 Age : 29 Gender : Female</p> <p>Photo</p> <p>Available</p>	<p>117</p> <p>INX0445973</p> <p>Name : Blanche Almeida Mothers Name: Filomena Rodrigues House Number : 22/20 Age : 23 Gender : Female</p> <p>Photo</p> <p>Available</p>	<p>118</p> <p>INX0431957</p> <p>Name : Jacob Fathers Name: P.Jacob House Number : 22/58 Age : 88 Gender : Male</p> <p>Photo</p> <p>Available</p>
<p>119</p> <p>INX0431940</p> <p>Name : Rosy Thomas Husbands Name: D. Thomas House Number : 22/58 Age : 86 Gender : Female</p> <p>Photo</p> <p>Available</p>	<p>120</p> <p>INX0451740</p> <p>Name : Andrew Fernandes Fathers Name: Xavier Pascoal Fernandes House Number : 22/94/9 S-5 Age : 61 Gender : Male</p> <p>Photo</p> <p>Available</p>	<p>121</p> <p>INX0451690</p> <p>Name : Maria Almeida Fernandes Husbands Name: Andrew Fernandes House Number : 22/94/9 S-5 Age : 58 Gender : Female</p> <p>Photo</p> <p>Available</p>
<p>122</p> <p>INX0298877</p> <p>Name : Diana Gonsalves Fathers Name: Pedro Antonio Gonsalves House Number : 55 Age : 41 Gender : Female</p> <p>Photo</p> <p>Available</p>	<p>123</p> <p>INX0247650</p> <p>Name : Andrea Laura Hyacinth Fernandes Fathers Name: John Domingos Fernandes House Number : 61 Age : 33 Gender : Female</p> <p>Photo</p> <p>Available</p>	<p>124</p> <p>INX0064535</p> <p>Name : Ramchandran Pillai Fathers Name: Madhaukurup Pillai House Number : 94/5 Age : 74 Gender : Male</p> <p>Photo</p> <p>Available</p>
<p>125</p> <p>INX0064667</p> <p>Name : Usha Pillai Husbands Name: Ramchandran Pillai House Number : 94/5 Age : 66 Gender : Female</p> <p>Photo</p> <p>Available</p>	<p>E 126</p> <p>INX0431932</p> <p>Name : Babu Fathers Name: Kuppu Pappu Elupakattu House Number : 94/8 Age : 58 Gender : Male</p> <p>Photo</p> <p>Available</p>	<p>127</p> <p>INX0065425</p> <p>Name : K. O. John Fathers Name: Cuseph Kalakutungal House Number : 94/8 Age : 70 Gender : Male</p> <p>Photo</p> <p>Available</p>
<p>128</p> <p>INX0431924</p> <p>Name : Elizabeth John Husbands Name: K.O. John House Number : 94/8 Age : 63 Gender : Female</p> <p>Photo</p> <p>Available</p>	<p>129</p> <p>INX0285486</p> <p>Name : Marcheta Cabral Fathers Name: Domingos Cabral House Number : 355 Age : 35 Gender : Female</p> <p>Photo</p> <p>Available</p>	<p>E 130</p> <p>INX0448308</p> <p>Name : Inocine Perpathura Socorrina De Souza Husbands Name: Azeijo Antonio House Number : 351 Age : 57 Gender : Female</p> <p>Photo</p> <p>Available</p>
<p>131</p> <p>INX0231977</p> <p>Name : Prabhu Sulibhavi Fathers Name: Halakateppa Sulibhavi House Number : 372 Age : 60 Gender : Male</p> <p>Photo</p> <p>Available</p>	<p>132</p> <p>INX0232470</p> <p>Name : Manjula Sulibhavi Husbands Name: Prabhu Sulibhavi House Number : 372 Age : 48 Gender : Female</p> <p>Photo</p> <p>Available</p>	<p>133</p> <p>INX0455568</p> <p>Name : Jayesh Raikar Fathers Name: Mohan Raikar House Number : 401 Age : 44 Gender : Male</p> <p>Photo</p> <p>Available</p>
<p>134</p> <p>INX0455550</p> <p>Name : Priyanka Raikar Husbands Name: Jayesh Raikar House Number : 401 Age : 40 Gender : Female</p> <p>Photo</p> <p>Available</p>	<p>135</p> <p>INX0285445</p> <p>Name : Caetano Cabral Fathers Name: Xavier Cabral House Number : 412 Age : 71 Gender : Male</p> <p>Photo</p> <p>Available</p>	<p>136</p> <p>CCQ2625044</p> <p>Name : Anna Rose Anthony Estrochio Husbands Name: Anthony Estrochio House Number : 492-1 Age : 59 Gender : Female</p> <p>Photo</p> <p>Available</p>

<p>137</p> <p>INX0285494</p> <p>Name : Rajan Narayan Fathers Name: Paralam Narayan House Number : 495/3 Age : 76 Gender : Male</p> <p>Photo Available</p>	<p>138</p> <p>INX0285403</p> <p>Name : Pankaj Tara Narayan Husbands Name: Rajan Narayan House Number : 495/3 Age : 74 Gender : Female</p> <p>Photo Available</p>	<p>139</p> <p>INX0431999</p> <p>Name : Zulema Maria Caldeira D'Mello Husbands Name: Ronnie D'Mello House Number : 499/4 Age : 65 Gender : Female</p> <p>Photo Available</p>
<p>140</p> <p>CCQ0829713</p> <p>Name : Andrea D'Mello Fathers Name: Ronnie D'Mello House Number : 499/4 Age : 38 Gender : Female</p> <p>Photo Available</p>	<p>141</p> <p>INX0269746</p> <p>Name : Jonathan Joseph D'Mello Fathers Name: Jose Filomeno Cesar Ronie De Melo House Number : 499/4 Age : 32 Gender : Male</p> <p>Photo Available</p>	<p>142</p> <p>CCQ0829382</p> <p>Name : Ryan D'Mello Fathers Name: Ronnie D'Mello House Number : 499-4 Age : 36 Gender : Male</p> <p>Photo Available</p>
<p>143</p> <p>INX0432005</p> <p>Name : P. Vijayan P. K. K. Menon Others : P. Menon House Number : 499-C Age : 72 Gender : Male</p> <p>Photo Available</p>	<p>144</p> <p>INX0285452</p> <p>Name : Vanaja Vijayan Menon Fathers Name: Vijayan Menon House Number : 499-C Age : 66 Gender : Female</p> <p>Photo Available</p>	<p>145</p> <p>CCQ0828731</p> <p>Name : Vinay Menon Fathers Name: Vijayan Menon House Number : 499-C Age : 37 Gender : Male</p> <p>Photo Available</p>
<p>146</p> <p>INX0072108</p> <p>Name : Santana Joao Crisostomo Pires Fathers Name: Francisco Pires House Number : 499-A1 Age : 77 Gender : Male</p> <p>Photo Available</p>	<p>147</p> <p>INX0432013</p> <p>Name : Milagrina Santan Pires Husbands Name: Santano Pires House Number : 499-A1 Age : 67 Gender : Female</p> <p>Photo Available</p>	<p>148</p> <p>SLI0151456</p> <p>Name : Mira Rodrigues Husbands Name: Anthony Alex Pires House Number : 499-A1 Age : 37 Gender : Female</p> <p>Photo Available</p>
<p>149</p> <p>INX0429126</p> <p>Name : Jose Maria Pires Fathers Name: Francisco Pires House Number : 499-A2 Age : 62 Gender : Male</p> <p>Photo Available</p>	<p># 150</p> <p>INX0429068</p> <p>Name : Leonor De Almeida Fathers Name: Jose Pires House Number : 499-A2 Age : 52 Gender : Female</p> <p>Photo Available</p>	<p>151</p> <p>CCQ9296773</p> <p>Name : Francis Jose Pires Fathers Name: Jose Pires House Number : 499-A2 Age : 45 Gender : Male</p> <p>Photo Available</p>
<p>152</p> <p>CCQ0004804</p> <p>Name : Jania Jose Pires Fathers Name: Jose Pires House Number : 499-A2 Age : 40 Gender : Female</p> <p>Photo Available</p>	<p>153</p> <p>CCQ9297474</p> <p>Name : Adrin Santan Fernandes Fathers Name: Jose Fernandes House Number : 500 Age : 40 Gender : Male</p> <p>Photo Available</p>	<p>154</p> <p>INX0298885</p> <p>Name : Luiza Nunes Husbands Name: Pedro Nunes House Number : 501 Age : 76 Gender : Female</p> <p>Photo Available</p>
<p>155</p> <p>INX0318543</p> <p>Name : Nicholas Nunes Fathers Name: Pedro Nunes House Number : 501 Age : 43 Gender : Male</p> <p>Photo Available</p>	<p>156</p> <p>CCQ0436279</p> <p>Name : Veronica Jose Nunes Husbands Name: Jose Nunes House Number : 501-1 Age : 71 Gender : Female</p> <p>Photo Available</p>	<p>157</p> <p>INX0310375</p> <p>Name : Dornick Nunes Fathers Name: Jose Nunes House Number : 501-1 Age : 39 Gender : Male</p> <p>Photo Available</p>
<p>158</p> <p>INX0285460</p> <p>Name : Wilfred Nunes Fathers Name: Hipolito Nunes House Number : 501-B Age : 56 Gender : Male</p> <p>Photo Available</p>	<p># 159</p> <p>INX0285478</p> <p>Name : Sandra Santana DCosta Husbands Name: Philip Nunes House Number : 501 Age : 46 Gender : Female</p> <p>Photo Available</p>	<p>160</p> <p>CCQ0186395</p> <p>Name : James Hipolito Nunes Fathers Name: Hipolito Nunes House Number : 501-B Age : 47 Gender : Male</p> <p>Photo Available</p>
<p># 161</p> <p>INX0075671</p> <p>Name : Anthony Nunes Fathers Name: H E Nunes House Number : 501-C Age : 42 Gender : Male</p> <p>Photo Available</p>	<p>162</p> <p>INX0410217</p> <p>Name : Annapurnadevi Agarwal Others : Sandeep Agarwal House Number : 502,5th floor Age : 76 Gender : Female</p> <p>Photo Available</p>	<p>163</p> <p>INX0455329</p> <p>Name : Bikash Oli Others : VINAYAK RAMNATH NAIK House Number : 507 Age : 27 Gender : Male</p> <p>Photo Available</p>
<p>164</p> <p>INX0242586</p> <p>Name : Alice De Souza Pereira Fathers Name: Bernardino Luis De Souza House Number : 508 Age : 56 Gender : Female</p> <p>Photo Available</p>	<p>165</p> <p>INX0455576</p> <p>Name : Meghna Laxmiprasad Singh Husbands Name: Raju Chotelal Thakur House Number : 517 Age : 35 Gender : Female</p> <p>Photo Available</p>	<p>166</p> <p>INX0405811</p> <p>Name : Pamela Do Rosario Fathers Name: Pascoal House Number : 525 Age : 24 Gender : Female</p> <p>Photo Available</p>



<p># 167</p> <p>URX0299214</p> <p>Name : Theresa Gurjao Husbands Name : Anthony Cabral House Number : 528 Age : 32 Gender : Female</p> <p>Photo Available</p>	<p>168</p> <p>INX0462861</p> <p>Name : CLIAMSON VINCENTE ALMEIDA Fathers Name : CARLOS DE ALMEIDA House Number : 532 Age : 19 Gender : Male</p> <p>Photo Available</p>	<p>169</p> <p>INX0285411</p> <p>Name : Sophia Benny Lawrence Husbands Name : Manuel De Almeida House Number : 539 Age : 45 Gender : Female</p> <p>Photo Available</p>
<p>170</p> <p>CCQ0436444</p> <p>Name : Joanita Vales Husbands Name : Luis De Almeida House Number : 539 Age : 46 Gender : Female</p> <p>Photo Available</p>	<p>Q 171</p> <p>INX0457051</p> <p>Name : Elaine Andrade Husbands Name : Mark Andrade House Number : 551/C-15 Age : 58 Gender : Female</p> <p>Photo Available</p>	<p>172</p> <p>INX0457523</p> <p>Name : MARK ANDRADE Fathers Name : PHILOMAN ANDRADE House Number : 551/1 C-15 Age : 60 Gender : Male</p> <p>Photo Available</p>
<p>173</p> <p>INX0436931</p> <p>Name : Aaron Gonsalves Fathers Name : Andre Gonsalves House Number : 557 Age : 22 Gender : Male</p> <p>Photo Available</p>	<p>174</p> <p>INX0449090</p> <p>Name : Kevin Anthony Gonsalves Fathers Name : Andre Gonsalves House Number : 557 Age : 20 Gender : Male</p> <p>Photo Available</p>	<p>175</p> <p>INX0451310</p> <p>Name : Pritesh Naik Fathers Name : Ulhas Naik House Number : 567 Age : 20 Gender : Male</p> <p>Photo Available</p>
<p>176</p> <p>INX0348342</p> <p>Name : Sebastian D'Silva Fathers Name : Ashok Naik House Number : 653 Age : 36 Gender : Female</p> <p>Photo Available</p>	<p>177</p> <p>INX0442558</p> <p>Name : Vanessa Marie Vanita Da Silva Fathers Name : Bryan Joseph Da Silva House Number : A/1 Age : 21 Gender : Female</p> <p>Photo Available</p>	<p>178</p> <p>INX0442541</p> <p>Name : Caroline Marie Bryanne Da Silva Fathers Name : Bryan Joseph Da Silva House Number : A/1 Si Age : 22 Gender : Female</p> <p>Photo Available</p>
<p>179</p> <p>INX0459149</p> <p>Name : Nikhil Antonio Menezes Fathers Name : Ravi Menezes House Number : B 11 Age : 26 Gender : Male</p> <p>Photo Available</p>	<p>180</p> <p>INX0243766</p> <p>Name : Xavierina Fernandes E Cabral Husbands Name : Alberto Cabral House Number : C22/21 Age : 54 Gender : Female</p> <p>Photo Available</p>	<p>181</p> <p>CCQ9296674</p> <p>Name : Antonio Rodrigues Fathers Name : Joaquim Rodrigues House Number : C-22/48 Age : 78 Gender : Male</p> <p>Photo Available</p>
<p>182</p> <p>INX0432138</p> <p>Name : Francisco Xavier Rodrigues Fathers Name : Antonio Rodrigues House Number : C-22/48 Age : 49 Gender : Male</p> <p>Photo Available</p>	<p>183</p> <p>INX0432120</p> <p>Name : Pascoal Irineu Trindade Rodrigues Fathers Name : Antonio Rodrigues House Number : C-22/48 Age : 48 Gender : Male</p> <p>Photo Available</p>	<p>184</p> <p>CCQ2635506</p> <p>Name : Catherine John Fernandes Husbands Name : John Fernandes House Number : C-22/61 Age : 67 Gender : Female</p> <p>Photo Available</p>
<p>185</p> <p>INX0247643</p> <p>Name : Clarissa Fernandes Fathers Name : John Fernandes House Number : C-22/61 Age : 39 Gender : Female</p> <p>Photo Available</p>	<p>186</p> <p>INX0247668</p> <p>Name : Tamara Fernandes Fathers Name : John Fernandes House Number : C-22/61 Age : 37 Gender : Female</p> <p>Photo Available</p>	<p>187</p> <p>CCQ0828467</p> <p>Name : Jaydas Chunekar Fathers Name : Janardan Chunekar House Number : C/15/547 Age : 51 Gender : Male</p> <p>Photo Available</p>
<p>188</p> <p>CCQ0830703</p> <p>Name : Haridas Chunekar Fathers Name : Suresh Chunekar House Number : C/15/547 Age : 40 Gender : Male</p> <p>Photo Available</p>	<p>189</p> <p>CCQ9297508</p> <p>Name : Suzie Divina Fernandes Husbands Name : Pascoal I T Rodrigues House Number : C-22/48/1 Age : 45 Gender : Female</p> <p>Photo Available</p>	<p>190</p> <p>INX0389015</p> <p>Name : Anny Bavitia Dias Husbands Name : Anthony Savio Dias House Number : C-22/56/A5 Age : 41 Gender : Female</p> <p>Photo Available</p>
<p>191</p> <p>INX0387977</p> <p>Name : Joao Alberto Nunes Fathers Name : Xavier Nunes House Number : C-22/56/A5 Age : 82 Gender : Male</p> <p>Photo Available</p>	<p>192</p> <p>INX0390658</p> <p>Name : Maria Liberata Nunes Husbands Name : Joao Alberto Nunes House Number : C-22/56/A5 Age : 75 Gender : Female</p> <p>Photo Available</p>	<p>193</p> <p>INX0390625</p> <p>Name : Anthony Savio Nunes Fathers Name : Joao Alberto Nunes House Number : C-22/56/A5 Age : 42 Gender : Male</p> <p>Photo Available</p>
<p>194</p> <p>INX0269837</p> <p>Name : Harold Mario Rodricks Fathers Name : Basil Alfred Rodricks House Number : F1 Age : 62 Gender : Male</p> <p>Photo Available</p>	<p>195</p> <p>INX0269845</p> <p>Name : Belina A. Rodricks Husbands Name : Harold Mario Rodricks House Number : F1 Age : 57 Gender : Female</p> <p>Photo Available</p>	<p>196</p> <p>INX0335679</p> <p>Name : Sybelle Monique Rodricks Fathers Name : Harold Mario Rodricks House Number : F1 Age : 30 Gender : Female</p> <p>Photo Available</p>

<p>197</p> <p>INX0459529</p> <p>Name : SANDEEP AGARWAL Fathers Name: RADHEY SHYAM House Number : Flat no 502 Age : 47 Gender : Male</p> <p>Photo Available</p>	<p>198</p> <p>INX0459537</p> <p>Name : SHRUTI AGARWAL Husbands Name: SANDEEP AGARWAL House Number : Flat No 502 Age : 43 Gender : Female</p> <p>Photo Available</p>	<p>199</p> <p>INX0338624</p> <p>Name : Vineet Menon Fathers Name: P. Vijayan P. K. K. Menon House Number : S-3 Age : 33 Gender : Male</p> <p>Photo Available</p>
--	---	--

<p>200</p> <p>CCQ0833152</p> <p>Name : Maria Do Perpetua Socorro Nunes                      Fathers Name: Francisco Xavier Nunes                      House Number : 22/41/A                      Age : 65 Gender : Female</p> <p>Photo Available</p>	<p>201</p> <p>INX0432187</p> <p>Name : Salvacao Cabral                      Husbands Name: Natividade Cabral                      House Number : 36                      Age : 74 Gender : Female</p> <p>Photo Available</p>	<p>202</p> <p>INX0269720</p> <p>Name : Maria Defatima F. Monteiro                      Husbands Name: Vincent J. Araujo                      House Number : 46                      Age : 67 Gender : Female</p> <p>Photo Available</p>
<p>203</p> <p>INX0408252</p> <p>Name : Daniel Mathew Da Silva                      Fathers Name: Melvin Francis Da Silva                      House Number : 443                      Age : 24 Gender : Male</p> <p>Photo Available</p>	<p>204</p> <p>INX0342592</p> <p>Name : Raquel Lourdes Cabral                      Husbands Name: Carlos Cabral                      House Number : 447                      Age : 64 Gender : Female</p> <p>Photo Available</p>	<p>205</p> <p>INX0340901</p> <p>Name : Carlos Cabral                      Fathers Name: Francisco Cabral                      House Number : 474                      Age : 67 Gender : Male</p> <p>Photo Available</p>
<p>206</p> <p>INX0332213</p> <p>Name : Gracy D'Souza                      Husbands Name: George Cabral                      House Number : 474                      Age : 58 Gender : Female</p> <p>Photo Available</p>	<p>207</p> <p>INX0419952</p> <p>Name : Nazareth Francisco Cabral                      Fathers Name: Francisco Cabral                      House Number : 474-A                      Age : 67 Gender : Male</p> <p>Photo Available</p>	<p>208</p> <p>CCQ9296542</p> <p>Name : Lara Cabral                      Fathers Name: Nazareth Cabral                      House Number : 474-A                      Age : 41 Gender : Female</p> <p>Photo Available</p>
<p>209</p> <p>INX0419937</p> <p>Name : Matildes Gonsalves                      Husbands Name: Nazareth Cabral                      House Number : 474-A                      Age : 70 Gender : Female</p> <p>Photo Available</p>	<p>210</p> <p>INX0273003</p> <p>Name : Nelson Francisco Cabral                      Fathers Name: Francisco Xavier Cabral                      House Number : 475                      Age : 62 Gender : Male</p> <p>Photo Available</p>	<p>211</p> <p>CCQ0033092</p> <p>Name : Prescilla Cabral                      Husbands Name: Nelson Cabral                      House Number : 475                      Age : 58 Gender : Female</p> <p>Photo Available</p>
<p>212</p> <p>CCQ0832741</p> <p>Name : Francis Cabral                      Fathers Name: Nelson Cabral                      House Number : 475                      Age : 37 Gender : Male</p> <p>Photo Available</p>	<p>213</p> <p>CCQ0832733</p> <p>Name : Arcanjela Cabral                      Fathers Name: Nelson Cabral                      House Number : 475                      Age : 36 Gender : Female</p> <p>Photo Available</p>	<p>214</p> <p>INX0419903</p> <p>Name : Sajiv Prabhakar                      Fathers Name: Prabhakar N. Prabhakar                      House Number : 475/A                      Age : 48 Gender : Male</p> <p>Photo Available</p>
<p>215</p> <p>INX0419895</p> <p>Name : Kusum Prabhakar                      Fathers Name: Prabhakar Prabhakar                      House Number : 475/A                      Age : 43 Gender : Female</p> <p>Photo Available</p>	<p>216</p> <p>CCQ2625564</p> <p>Name : Satish Prabhakar                      Fathers Name: Prabhakar Prabhakar                      House Number : 475/A                      Age : 41 Gender : Male</p> <p>Photo Available</p>	<p>217</p> <p>INX0419887</p> <p>Name : Prabhakar Suman                      Mothers Name: Prabhakar N. Suman                      House Number : 475/A                      Age : 68 Gender : Female</p> <p>Photo Available</p>
<p>218</p> <p>CCQ0820852</p> <p>Name : Akbar Gulfer                      Fathers Name: Dongrisab Akbar                      House Number : 507                      Age : 41 Gender : Male</p> <p>Photo Available</p>	<p>219</p> <p>INX0432179</p> <p>Name : Vinayak Ramnath Naik                      Fathers Name: Ramnath Naik                      House Number : 507                      Age : 81 Gender : Male</p> <p>Photo Available</p>	<p>220</p> <p>CCQ0752071</p> <p>Name : Anupama Vinayak Naik                      Husbands Name: Vinayak Naik                      House Number : 507                      Age : 75 Gender : Female</p> <p>Photo Available</p>
<p>221</p> <p>CCQ0752212</p> <p>Name : Ashwini Vinayak Naik                      Fathers Name: Vinayak Naik                      House Number : 507                      Age : 45 Gender : Male</p> <p>Photo Available</p>	<p>222</p> <p>INX0316570</p> <p>Name : Savio D'Costa                      Fathers Name: Victor D'Costa                      House Number : 510-5                      Age : 53 Gender : Male</p> <p>Photo Available</p>	<p>223</p> <p>INX0316588</p> <p>Name : Priya Ernesto D'Costa Pais                      Husbands Name: Savio D'Costa Pais                      House Number : 510-5                      Age : 49 Gender : Female</p> <p>Photo Available</p>
<p>224</p> <p>CCQ0186312</p> <p>Name : Melvin Francis Da Silva                      Fathers Name: Mateus Da'Silva                      House Number : 514-3                      Age : 56 Gender : Male</p> <p>Photo Available</p>	<p>225</p> <p>INX0310383</p> <p>Name : Cynthia Angela Da Silva                      Husbands Name: Melvin Da'Silva                      House Number : 514-3                      Age : 55 Gender : Female</p> <p>Photo Available</p>	<p>226</p> <p>CCQ0186452</p> <p>Name : Bryan Mateus Silva                      Fathers Name: Mateus Silva                      House Number : 514-4                      Age : 53 Gender : Male</p> <p>Photo Available</p>
<p>227</p> <p>INX0294678</p> <p>Name : Vanita Bryan Silva                      Husbands Name: Bryan Silva                      House Number : 514-4                      Age : 51 Gender : Female</p> <p>Photo Available</p>	<p>228</p> <p>INX0310300</p> <p>Name : Ruth Aguiar                      Husbands Name: Rvi Aguiar                      House Number : 514/A                      Age : 78 Gender : Female</p> <p>Photo Available</p>	<p>229</p> <p>INX0285429</p> <p>Name : Rosa Maria Fernandes                      Husbands Name: Dominic Sequeira                      House Number : 516                      Age : 79 Gender : Female</p> <p>Photo Available</p>

<p>230</p> <p>INX0060822</p> <p>Name : Riva Aleixa Fernandes                      Husbands Name: Felix Sequeira                      House Number : 516                      Age : 49 Gender : Female</p> <p>Photo Available</p>	<p>231</p> <p>INX0461624</p> <p>Name : Freeda Rose Siqueira                      Mothers Name: Riva Aleixa Fernandes                      House Number : 516                      Age : 19 Gender : Female</p> <p>Photo Available</p>	<p>232</p> <p>CCQ0823518</p> <p>Name : Mariano Pires                      Fathers Name: Joao Pires                      House Number : 517                      Age : 75 Gender : Male</p> <p>Photo Available</p>
<p>233</p> <p>CCQ0823500</p> <p>Name : Santarina Pires                      Husbands Name: Mariano Pires                      House Number : 517                      Age : 60 Gender : Female</p> <p>Photo Available</p>	<p>234</p> <p>INX0307884</p> <p>Name : Albino Pires                      Fathers Name: Jao Pires                      House Number : 517                      Age : 56 Gender : Male</p> <p>Photo Available</p>	<p>235</p> <p>INX0432237</p> <p>Name : Virginia Albino Pires                      Husbands Name: Albino Pires                      House Number : 517                      Age : 51 Gender : Female</p> <p>Photo Available</p>
<p>236</p> <p>INX0216309</p> <p>Name : Raju Chotelal Thakur                      Fathers Name: Chotelal Thakur                      House Number : 517                      Age : 53 Gender : Male</p> <p>Photo Available</p>	<p>237</p> <p>INX0432278</p> <p>Name : Dinesh Velingakar                      Fathers Name: Savaio Velingakar                      House Number : 519                      Age : 56 Gender : Male</p> <p>Photo Available</p>	<p>238</p> <p>CCQ0828004</p> <p>Name : Deepti Velingakar                      Husbands Name: Dinesh Velingakar                      House Number : 519                      Age : 48 Gender : Female</p> <p>Photo Available</p>
<p>239</p> <p>CCQ0186726</p> <p>Name : Constancio Domnic Salvador                      Fernandes                      Fathers Name: Issal Fernandes                      House Number : 519/B                      Age : 56 Gender : Male</p> <p>Photo Available</p>	<p>240</p> <p>CCQ0829614</p> <p>Name : Vicente Vitor De Araujo                      Fathers Name: Joaquim A.J De Araujo                      House Number : 522                      Age : 70 Gender : Male</p> <p>Photo Available</p>	<p>241</p> <p>CCQ0825570</p> <p>Name : Lydia Almeida                      Husbands Name: Joao Almeida                      House Number : 523                      Age : 57 Gender : Female</p> <p>Photo Available</p>
<p>242</p> <p>INX0064675</p> <p>Name : Beiza Benedita Coutinho                      Husbands Name: Cruz Almeida                      House Number : 523                      Age : 48 Gender : Female</p> <p>Photo Available</p>	<p>243</p> <p>INX0378349</p> <p>Name : Maria Antonia Almeida                      Fathers Name: Antonio Almeida                      House Number : 524                      Age : 56 Gender : Female</p> <p>Photo Available</p>	<p>244</p> <p>CCQ8312910</p> <p>Name : Pascoal Do Rosario                      Fathers Name: Diogo Do Rosario                      House Number : 525                      Age : 60 Gender : Male</p> <p>Photo Available</p>
<p>245</p> <p>INX0390799</p> <p>Name : Priscilla Do Rosario                      Fathers Name: Pascoal Do Rosario                      House Number : 525                      Age : 26 Gender : Female</p> <p>Photo Available</p>	<p>246</p> <p>INX0432260</p> <p>Name : Francisco Diogo Rosario                      Fathers Name: Diogo Rosario                      House Number : 525                      Age : 57 Gender : Male</p> <p>Photo Available</p>	<p>247</p> <p>CCQ9296914</p> <p>Name : Merciana Do Rosario                      Fathers Name: Diogo Do Rosario                      House Number : 525                      Age : 55 Gender : Female</p> <p>Photo Available</p>
<p>248</p> <p>CCQ5156807</p> <p>Name : Cecilia Silveira                      Husbands Name: Pascoal Do Rosario                      House Number : 525                      Age : 50 Gender : Female</p> <p>Photo Available</p>	<p>249</p> <p>CCQ0828335</p> <p>Name : Rosaria Cabral                      Husbands Name: Joseph Nunes                      House Number : 526                      Age : 48 Gender : Female</p> <p>Photo Available</p>	<p>250</p> <p>INX0432252</p> <p>Name : Maria Augusta Camelo                      Husbands Name: Antonio Nunes                      House Number : 526                      Age : 68 Gender : Female</p> <p>Photo Available</p>
<p>251</p> <p>INX0075580</p> <p>Name : Ivo Nunes                      Fathers Name: Antonio Nunes                      House Number : 526                      Age : 45 Gender : Male</p> <p>Photo Available</p>	<p>252</p> <p>CCQ0186353</p> <p>Name : Purificao Vincent Cabral                      Husbands Name: Vincent Cabral                      House Number : 527                      Age : 79 Gender : Female</p> <p>Photo Available</p>	<p>253</p> <p>INX0063776</p> <p>Name : Catherine Sunita Vincent Cabral                      Fathers Name: Vincent Cabral                      House Number : 527                      Age : 39 Gender : Female</p> <p>Photo Available</p>
<p>254</p> <p>INX0244780</p> <p>Name : Florin Vincent Cabral                      Fathers Name: Vincent Cabral                      House Number : 527                      Age : 39 Gender : Female</p> <p>Photo Available</p>	<p>255</p> <p>CCQ9297391</p> <p>Name : Aurora Cabral                      Fathers Name: Joao Cabral                      House Number : 528/A                      Age : 46 Gender : Female</p> <p>Photo Available</p>	<p>256</p> <p>INX0242636</p> <p>Name : Claudiana Cabral                      Fathers Name: Jose Cabral                      House Number : 530                      Age : 67 Gender : Female</p> <p>Photo Available</p>
<p>257</p> <p>CCQ9297664</p> <p>Name : Jose Cabral                      Fathers Name: Natividade Estevo Cabral                      House Number : 530                      Age : 50 Gender : Male</p> <p>Photo Available</p>	<p>258</p> <p>CCQ0187583</p> <p>Name : Jimry Cabral                      Fathers Name: Natividade Cabral                      House Number : 530                      Age : 46 Gender : Male</p> <p>Photo Available</p>	<p>259</p> <p>INX0216929</p> <p>Name : Vendria Georgina Cabral                      Fathers Name: Cruz Cabral                      House Number : 530                      Age : 36 Gender : Female</p> <p>Photo Available</p>

<p># 260 INX0432310</p> <p>Name : Benedita Filip Cabral                      Husbands Name: Filip Cabral                      House Number : 528                      Age : 78 Gender : Female</p> <p>Photo Available</p>	<p>261 INX0298893</p> <p>Name : Philomina Cruz Cabral                      Husbands Name: Cruz Cabral                      House Number : 530/A                      Age : 57 Gender : Female</p> <p>Photo Available</p>	<p># 262 CCQ9297300</p> <p>Name : Anthony Filip Cabral                      Fathers Name: Filip Cabral                      House Number : 528                      Age : 43 Gender : Male</p> <p>Photo Available</p>
<p>263 CCQ9297078</p> <p>Name : Debbie Cabral                      Fathers Name: Filip Cabral                      House Number : 530/A                      Age : 42 Gender : Female</p> <p>Photo Available</p>	<p>264 CCQ9297490</p> <p>Name : Dorine Cabral                      Fathers Name: Filip Cabral                      House Number : 530/A                      Age : 42 Gender : Female</p> <p>Photo Available</p>	<p># 265 CCQ9297037</p> <p>Name : Edger Filip Cabral                      Fathers Name: Filip Cabral                      House Number : 528                      Age : 41 Gender : Male</p> <p>Photo Available</p>
<p># 266 CCQ0841486</p> <p>Name : Sonia Bernadina Cabral                      Fathers Name: Filip Francisco Cabral                      House Number : 528                      Age : 36 Gender : Female</p> <p>Photo Available</p>	<p>267 INX0310409</p> <p>Name : Brian Cabral                      Fathers Name: Aleixo Cabral                      House Number : 531                      Age : 47 Gender : Male</p> <p>Photo Available</p>	<p>268 INX0316554</p> <p>Name : Luisa De Almeida                      Husbands Name: Alexio Cabral                      House Number : 531                      Age : 67 Gender : Female</p> <p>Photo Available</p>
<p>269 CCQ0752295</p> <p>Name : Philip Almeida                      Fathers Name: Vincent Almeida                      House Number : 532                      Age : 45 Gender : Male</p> <p>Photo Available</p>	<p>270 CCQ9297920</p> <p>Name : Roger Cabral                      Fathers Name: Jacinto Cabral                      House Number : 532                      Age : 79 Gender : Male</p> <p>Photo Available</p>	<p>271 CCQ9298043</p> <p>Name : Isidore Cabral                      Fathers Name: Roger Cabral                      House Number : 532                      Age : 45 Gender : Male</p> <p>Photo Available</p>
<p>272 CCQ0186700</p> <p>Name : Alzira Fernandes                      Husbands Name: Carlos De Almeida                      House Number : 532                      Age : 43 Gender : Female</p> <p>Photo Available</p>	<p>273 INX0439356</p> <p>Name : Dwayne Roger Cabral                      Fathers Name: Augusto Rogerio Leonardo Cabral                      House Number : 532,N.I.O,Dona Paula                      Age : 30 Gender : Male</p> <p>Photo Available</p>	<p>274 CCQ0004812</p> <p>Name : Angela Cabral                      Husbands Name: Godfrey Cabral                      House Number : C-22/25                      Age : 45 Gender : Female</p> <p>Photo Available</p>

<p>275</p> <p>INX0269688</p> <p>Name : Anaisha Zachariah Mothers Name: Vinita Zachariah House Number : 10 Age : 33 Gender : Female</p> <p>Photo Available</p>	<p>276</p> <p>CCQ0818021</p> <p>Name : Bernardo Almeida Fathers Name: Joao Vicente Almeida House Number : 22/20 Age : 56 Gender : Male</p> <p>Photo Available</p>	<p>277</p> <p>CCQ0818039</p> <p>Name : Filomena Rodrigues Husbands Name: Bernardo Almeida House Number : 22/20 Age : 49 Gender : Female</p> <p>Photo Available</p>
<p>278</p> <p>INX0303073</p> <p>Name : Miguel Cabral Fathers Name: Domanciano Cabral House Number : 22/147/1 Age : 69 Gender : Male</p> <p>Photo Available</p>	<p>279</p> <p>INX0452318</p> <p>Name : Maria Rosa Francisca Basilia Cabral Husbands Name: Miguel Cabral House Number : 22/147/1 Age : 64 Gender : Female</p> <p>Photo Available</p>	<p>280</p> <p>INX0374629</p> <p>Name : Davis Akkara Fathers Name: Francis Akkara House Number : 104 Age : 68 Gender : Male</p> <p>Photo Available</p>
<p>281</p> <p>INX0374611</p> <p>Name : Jessintha Davis Akkara Husbands Name: Davis Francis Akkara House Number : 104 Age : 62 Gender : Female</p> <p>Photo Available</p>	<p>282</p> <p>INX0443085</p> <p>Name : Vishal Agarwal Fathers Name: Sandeep Agarwal House Number : 502, 5th floor, Premiro, Age : 21 Gender : Male</p> <p>Photo Available</p>	<p>283</p> <p>INX0410530</p> <p>Name : Gail Nunes Husbands Name: Reagan Nunes House Number : 509 Age : 33 Gender : Female</p> <p>Photo Available</p>
<p>284</p> <p>INX0453357</p> <p>Name : Jonathan Cabral Mothers Name: Philomena Cruz Cabral House Number : 530 Age : 21 Gender : Male</p> <p>Photo Available</p>	<p>285</p> <p>INX0216945</p> <p>Name : Melina Cabral Fathers Name: Domingos Cabral House Number : 533 Age : 41 Gender : Female</p> <p>Photo Available</p>	<p>286</p> <p>INX0462853</p> <p>Name : DIANE CARDOZ Fathers Name: JOE CARDOZ House Number : 533 Age : 19 Gender : Female</p> <p>Photo Available</p>
<p>287</p> <p>INX0432781</p> <p>Name : Rosalina Branca Da Silva Husbands Name: Domingos Cabral House Number : 533 Age : 69 Gender : Female</p> <p>Photo Available</p>	<p>288</p> <p>CCQ0186445</p> <p>Name : Bernadit Joaquim Cabral Husbands Name: Joaquim Cabral House Number : 533-B Age : 59 Gender : Female</p> <p>Photo Available</p>	<p>289</p> <p>CCQ0186486</p> <p>Name : Philomena Cabral Husbands Name: Domingos Cabral House Number : 533/C Age : 61 Gender : Female</p> <p>Photo Available</p>
<p>S 290</p> <p>CCQ5154455</p> <p>Name : Liva Cabral Fathers Name: Pascoal Cabral House Number : 533-d Age : 38 Gender : Female</p> <p>Photo Available</p>	<p>291</p> <p>INX0410886</p> <p>Name : cecilia Afonso e cabral Husbands Name: Francisco Cabral House Number : 534 Age : 57 Gender : Female</p> <p>Photo Available</p>	<p>292</p> <p>INX0273011</p> <p>Name : Soccorina Almeida Husbands Name: Santana Cabral House Number : 535 Age : 63 Gender : Female</p> <p>Photo Available</p>
<p>293</p> <p>INX0432765</p> <p>Name : Xavier Luis Cabral Fathers Name: Luis Cabral House Number : 535 Age : 55 Gender : Male</p> <p>Photo Available</p>	<p>294</p> <p>INX0432724</p> <p>Name : Assis Luis Cabral Fathers Name: Luis Cabral House Number : 535 Age : 51 Gender : Male</p> <p>Photo Available</p>	<p>295</p> <p>INX0432716</p> <p>Name : Soccorina Xavier Cabral Husbands Name: Xavier Cabral House Number : 535 Age : 47 Gender : Female</p> <p>Photo Available</p>
<p>296</p> <p>INX0217273</p> <p>Name : Mateus Cabral Fathers Name: Xavier Cabral House Number : 535/2 Age : 77 Gender : Male</p> <p>Photo Available</p>	<p>297</p> <p>INX0217257</p> <p>Name : Rosita Maria Vas E. Cabral Husbands Name: Mateus Cabral House Number : 535/2 Age : 74 Gender : Female</p> <p>Photo Available</p>	<p>298</p> <p>CCQ0435354</p> <p>Name : Mateus Gomes Fathers Name: Jose Antonio Mariano Gomes House Number : 535/2 Age : 55 Gender : Male</p> <p>Photo Available</p>
<p>299</p> <p>CCQ0841643</p> <p>Name : Minguel Jose Gomes Fathers Name: Jose Gomes House Number : 535/2 Age : 48 Gender : Male</p> <p>Photo Available</p>	<p>300</p> <p>INX0432708</p> <p>Name : Santana Cabral Fathers Name: Xavier Cabral House Number : 535-3 Age : 68 Gender : Male</p> <p>Photo Available</p>	<p>301</p> <p>INX0432690</p> <p>Name : Antonetta Cabral Husbands Name: Bernardo Cabral House Number : 536 Age : 61 Gender : Female</p> <p>Photo Available</p>
<p>302</p> <p>CCQ0186759</p> <p>Name : Minguel Cabral Fathers Name: Caetano Cabral House Number : 537/1 Age : 51 Gender : Male</p> <p>Photo Available</p>	<p>303</p> <p>CCQ0436410</p> <p>Name : Marianinha De Souza E Pereira Husbands Name: Pedro Francisco Pereira House Number : 538 Age : 64 Gender : Female</p> <p>Photo Available</p>	<p>304</p> <p>CCQ0436493</p> <p>Name : Jagier Kadar Khan Fathers Name: Kadar Khan House Number : 538 Age : 66 Gender : Male</p> <p>Photo Available</p>

<p>305</p> <p>CCQ0824144</p> <p>Name : Isac Newton Khan Fathers Name: Jagier Kadar Khan House Number : 538 Age : 36 Gender : Male</p> <p>Photo Available</p>	<p># 306</p> <p>INX0269779</p> <p>Name : Fatima De Sa Husbands Name: Desmond Cosma De Sa House Number : 538 Age : 35 Gender : Female</p> <p>Photo Available</p>	<p>307</p> <p>INX0337709</p> <p>Name : Abraham Khan Fathers Name: Kadar Khan House Number : 538 Age : 30 Gender : Male</p> <p>Photo Available</p>
<p>308</p> <p>CCQ0436519</p> <p>Name : Isabela Domingo Fernandes Husbands Name: Domingo Fernandes House Number : 539 Age : 75 Gender : Female</p> <p>Photo Available</p>	<p>309</p> <p>CCQ0186650</p> <p>Name : David Fernandes Fathers Name: Domingos Fernandes House Number : 539 Age : 50 Gender : Male</p> <p>Photo Available</p>	<p>310</p> <p>INX0432633</p> <p>Name : Manuel Bernard Alfred Fernandes Fathers Name: Domingos Fernandes House Number : 539 Age : 49 Gender : Male</p> <p>Photo Available</p>
<p>311</p> <p>INX0285437</p> <p>Name : Victoria Fernandes Husbands Name: Petrick Fernandes House Number : 539 Age : 47 Gender : Female</p> <p>Photo Available</p>	<p>312</p> <p>CCQ3755881</p> <p>Name : Petrick Fernandes Fathers Name: Domingo Fernandes House Number : 539 Age : 45 Gender : Male</p> <p>Photo Available</p>	<p>313</p> <p>INX0411330</p> <p>Name : Jose Peregrino Fernandes Fathers Name: Pilegrin Fernandes House Number : 542 Age : 87 Gender : Male</p> <p>Photo Available</p>
<p>314</p> <p>CCQ8317562</p> <p>Name : Philomina Fernandes Husbands Name: Inacio Fernandes House Number : 542 Age : 59 Gender : Female</p> <p>Photo Available</p>	<p>315</p> <p>CCQ0830604</p> <p>Name : John Paul Fernandes Fathers Name: Inacio Fernandes House Number : 542 Age : 37 Gender : Male</p> <p>Photo Available</p>	<p>316</p> <p>INX0432617</p> <p>Name : Remmie Fernandes Fathers Name: Jose Fernandes House Number : 542/A Age : 53 Gender : Male</p> <p>Photo Available</p>
<p>317</p> <p>CCQ0752063</p> <p>Name : Andre Teotonio Cabral Fathers Name: Albino Cabral House Number : 543 Age : 75 Gender : Male</p> <p>Photo Available</p>	<p>318</p> <p>CCQ9298050</p> <p>Name : Eleuterio Carlos Cabral Fathers Name: Diago Cabral House Number : 543 Age : 47 Gender : Male</p> <p>Photo Available</p>	<p>319</p> <p>INX0432575</p> <p>Name : Francisquinha X. Xavier Fernandes Husbands Name: Xavier Fernandes House Number : 548 Age : 61 Gender : Female</p> <p>Photo Available</p>
<p>320</p> <p>INX0432583</p> <p>Name : Xavier Menino Fernandes Fathers Name: Menino Fernandes House Number : 548 Age : 61 Gender : Male</p> <p>Photo Available</p>	<p>321</p> <p>INX0432567</p> <p>Name : Wiliam Menino Fernandes Fathers Name: Menino Fernandes House Number : 548 Age : 58 Gender : Male</p> <p>Photo Available</p>	<p>322</p> <p>INX0075663</p> <p>Name : Maria Fatima Fernandes Fathers Name: William Fernandes House Number : 548 Age : 53 Gender : Female</p> <p>Photo Available</p>
<p>323</p> <p>INX0432559</p> <p>Name : Zery Oliveira Fernandes Fathers Name: Menino Fernandes House Number : 548 Age : 52 Gender : Male</p> <p>Photo Available</p>	<p>324</p> <p>CCQ9061714</p> <p>Name : Fatima Fernandes Husbands Name: Isidoro Gonsalves House Number : 548 Age : 48 Gender : Female</p> <p>Photo Available</p>	<p>325</p> <p>CCQ0840777</p> <p>Name : Stacy Carmen Fernandes Fathers Name: Xavier Menino Fernandes House Number : 548 Age : 37 Gender : Female</p> <p>Photo Available</p>
<p>326</p> <p>INX0332239</p> <p>Name : Hazel Rosaria Fernandes Fathers Name: Xavier Fernandes House Number : 548 Age : 31 Gender : Female</p> <p>Photo Available</p>	<p>327</p> <p>INX0389817</p> <p>Name : Fraxier Gilchrist Fernandes Fathers Name: Xavier Menino Fernandes House Number : 548 Age : 25 Gender : Male</p> <p>Photo Available</p>	<p>328</p> <p>CCQ9061698</p> <p>Name : Isidoro Gonsalves Fathers Name: Francis Gonsalves House Number : 548 Age : 52 Gender : Male</p> <p>Photo Available</p>
<p>S 329</p> <p>CCQ0435453</p> <p>Name : Cyril Xavier Gonsalves Fathers Name: Xavier Gonsalves House Number : 548 Age : 51 Gender : Male</p> <p>Photo Available</p>	<p>S 330</p> <p>CCQ0435438</p> <p>Name : Abdish Kumar Singh Fathers Name: Ramdev Singh House Number : 548 Age : 41 Gender : Male</p> <p>Photo Available</p>	<p>331</p> <p>CCQ0186742</p> <p>Name : Bibiana Vaz Husbands Name: Dominigos Vaz House Number : 551 Age : 65 Gender : Female</p> <p>Photo Available</p>
<p>332</p> <p>CCQ0836916</p> <p>Name : Jonathan Johnson Vaz Fathers Name: Domingos Vaz House Number : 551 Age : 37 Gender : Male</p> <p>Photo Available</p>	<p>333</p> <p>INX0242875</p> <p>Name : Elizabeth Rodrigues Husbands Name: Glorio Rodrigues House Number : 553/A Age : 55 Gender : Female</p> <p>Photo Available</p>	<p>334</p> <p>INX0432492</p> <p>Name : Maria Helena De Sa Husbands Name: Caetano Filip Rodrigues House Number : 553/B Age : 62 Gender : Female</p> <p>Photo Available</p>

<p>335</p> <p>INX0432484</p> <p>Name : Caetano Filipe Rodrigues Fathers Name: Emidio Rodrigues House Number : 553/B Age : 65 Gender : Male</p> <p>Photo Available</p>	<p>336</p> <p>INX0432500</p> <p>Name : Adelina David Rodrigues Husbands Name: David Rodrigues House Number : 553-C Age : 69 Gender : Female</p> <p>Photo Available</p>	<p>337</p> <p>CCQ0834622</p> <p>Name : Clansay Argentina D'Costa Husbands Name: Nazareth Fernandes House Number : 557 Age : 40 Gender : Female</p> <p>Photo Available</p>
<p>338</p> <p>INX0306480</p> <p>Name : Nazareth Fernandes Fathers Name: Joaquim Luis Fernandes House Number : 557 Age : 47 Gender : Male</p> <p>Photo Available</p>	<p>339</p> <p>INX0432468</p> <p>Name : Joaquim Xavier Gonsalves Fathers Name: Xavier Gonsalves House Number : 557 Age : 65 Gender : Male</p> <p>Photo Available</p>	<p>340</p> <p>INX0432443</p> <p>Name : Andre Gonsalves Fathers Name: Francisco Gonsalves House Number : 557 Age : 55 Gender : Male</p> <p>Photo Available</p>
<p>341</p> <p>INX0269613</p> <p>Name : Fienta Valencia Gonsalves Husbands Name: Francis Gonsalves House Number : 557 Age : 32 Gender : Female</p> <p>Photo Available</p>	<p>342</p> <p>INX0306472</p> <p>Name : Asecao Rosaria Gonsalves E Fernandes Husbands Name: Joaquim Luis Fernandes House Number : 557 Age : 72 Gender : Female</p> <p>Photo Available</p>	<p>343</p> <p>INX0432450</p> <p>Name : Anita Maria Mascarenhas Husbands Name: Joaquim Gonsalves House Number : 557 Age : 57 Gender : Female</p> <p>Photo Available</p>
<p>344</p> <p>CCQ9297128</p> <p>Name : Conceicao Pereira Husbands Name: Andre Gonsalves House Number : 557 Age : 53 Gender : Female</p> <p>Photo Available</p>	<p>345</p> <p>INX0432435</p> <p>Name : Antonio Francis Almeida Fathers Name: Francis Almeida House Number : 558 Age : 49 Gender : Male</p> <p>Photo Available</p>	<p>346</p> <p>CCQ9061821</p> <p>Name : Lovina De Almeida Fathers Name: Manuel Francisco De Almeida House Number : 558 Age : 44 Gender : Female</p> <p>Photo Available</p>
<p>347</p> <p>INX0410902</p> <p>Name : Nagesh Surya Cascar Fathers Name: Surya Rama Cascar House Number : 559 Age : 73 Gender : Male</p> <p>Photo Available</p>	<p>348</p> <p>CCQ0033357</p> <p>Name : Navina Nagesh Cascar Husbands Name: Nagesh Cascar House Number : 559 Age : 66 Gender : Female</p> <p>Photo Available</p>	<p>349</p> <p>CCQ0435230</p> <p>Name : Amay Nagesh Cascar Fathers Name: Nagesh Cascar House Number : 559 Age : 41 Gender : Male</p> <p>Photo Available</p>
<p>350</p> <p>CCQ0823443</p> <p>Name : Anisha Nagesh Cascar Fathers Name: Nagesh Kascar House Number : 559 Age : 35 Gender : Female</p> <p>Photo Available</p>	<p>351</p> <p>CCQ0435206</p> <p>Name : Nachiketh Nagesh Kascar Fathers Name: Nagesh Kascar House Number : 559 Age : 48 Gender : Male</p> <p>Photo Available</p>	<p>352</p> <p>INX0336479</p> <p>Name : Nishi Kascar Fathers Name: Nachiketh Nagesh Kascar House Number : 559 Age : 43 Gender : Female</p> <p>Photo Available</p>
<p>353</p> <p>INX0432419</p> <p>Name : Pedro Manuel Fernandes Fathers Name: Manuel Fernandes House Number : 560 Age : 62 Gender : Male</p> <p>Photo Available</p>	<p>354</p> <p>CCQ0752170</p> <p>Name : Anne Mary Goretti Grace Ferrao Husbands Name: Pedro Fernandes House Number : 560 Age : 55 Gender : Female</p> <p>Photo Available</p>	<p>355</p> <p>INX0076067</p> <p>Name : Margarida Almeida Husbands Name: Jose Remedios Fernandes House Number : 563 Age : 57 Gender : Female</p> <p>Photo Available</p>
<p>356</p> <p>CCQ0187005</p> <p>Name : Nicholas Bernard Rodrigues Fathers Name: Bernard Rodrigues House Number : 567 Age : 77 Gender : Male</p> <p>Photo Available</p>	<p>357</p> <p>CCQ9297177</p> <p>Name : Caine Rodrigues Fathers Name: Nicholas Rodrigues House Number : 567 Age : 47 Gender : Male</p> <p>Photo Available</p>	<p>358</p> <p>CCQ9297375</p> <p>Name : Keegan Sebastian Rodrigues Fathers Name: Nicholas Rodrigues House Number : 567 Age : 41 Gender : Male</p> <p>Photo Available</p>
<p>359</p> <p>CCQ0186403</p> <p>Name : Maria Joaquina De Souza Husbands Name: Caetano Cabral House Number : C-22/25 Age : 78 Gender : Female</p> <p>Photo Available</p>	<p>360</p> <p>INX0432625</p> <p>Name : Inacinho Jose Fernandes Fathers Name: Jose Fernandes House Number : C-22/29 Age : 59 Gender : Male</p> <p>Photo Available</p>	<p>361</p> <p>INX0269803</p> <p>Name : Lourdes Mary Cabral Fathers Name: Rosario Cabral House Number : C22/40 Age : 63 Gender : Female</p> <p>Photo Available</p>
<p>362</p> <p>INX0458927</p> <p>Name : PATRICIA SWEETY RODRIGUES Fathers Name: PASCOAL I T RODRIGUES House Number : C/22/48/1 Age : 20 Gender : Female</p> <p>Photo Available</p>	<p>363</p> <p>CCQ0827865</p> <p>Name : Bastiana Sienna Raposo Husbands Name: Gabriel Cabral House Number : C-59-16(3) Age : 68 Gender : Female</p> <p>Photo Available</p>	<p>364</p> <p>INX0411025</p> <p>Name : Emmanuel Jesus Cabral Mothers Name: Filomena Cabral House Number : House No 530 Age : 24 Gender : Male</p> <p>Photo Available</p>



<p>365</p> <p>INX0303081</p> <p>Name : Arjun Kumar Fathers Name: Madan Mohan Kumar House Number : 1st Floor, Age : 42 Gender : Male</p> <p>Photo</p> <p>Available</p>	<p>366</p> <p>INX0269860</p> <p>Name : Prakash Kittur Fathers Name: Venkaraddi Kittur House Number : 15/606 Age : 59 Gender : Male</p> <p>Photo</p> <p>Available</p>	<p>367</p> <p>INX0269852</p> <p>Name : Vrinda Kittur Fathers Name: Prakash Kittur House Number : 15/606 Age : 52 Gender : Female</p> <p>Photo</p> <p>Available</p>
<p>368</p> <p>INX0339077</p> <p>Name : Ajit Savio Monteiro Fathers Name: Flaviano Celso Monteiro House Number : 15/645 Age : 66 Gender : Male</p> <p>Photo</p> <p>Available</p>	<p>369</p> <p>INX0341396</p> <p>Name : Sylvia Maria Maya Mesquita Monteiro Husbands Name: Ajit Savio Monteiro House Number : 15/645 Age : 56 Gender : Female</p> <p>Photo</p> <p>Available</p>	<p>370</p> <p>INX0363846</p> <p>Name : Sherize Mayanka Monteiro Fathers Name: Ajit Savio Monteiro House Number : 15/645 Age : 28 Gender : Female</p> <p>Photo</p> <p>Available</p>
<p>371</p> <p>CCQ0837013</p> <p>Name : Ram Sharma Fathers Name: Manorath Sharma House Number : 15/630/3 Age : 50 Gender : Male</p> <p>Photo</p> <p>Available</p>	<p>372</p> <p>CCQ0752030</p> <p>Name : Theresa Margarita S. F. A. Braganza Mothers Name: Antonio Braganza House Number : 15/650/2 Age : 86 Gender : Female</p> <p>Photo</p> <p>Available</p>	<p>373</p> <p>INX0269894</p> <p>Name : Sanjay Suryaji Prabhu Khope Fathers Name: Suryaji Prabhu Khope House Number : 15/601/A Age : 68 Gender : Male</p> <p>Photo</p> <p>Available</p>
<p>374</p> <p>INX0269886</p> <p>Name : Rupa Sanjay Prabhu Khope Husbands Name: Sanjay Prabhu Khope House Number : 15/601/A Age : 62 Gender : Female</p> <p>Photo</p> <p>Available</p>	<p>375</p> <p>INX0269878</p> <p>Name : Akhlesh Sanjay Prabhu Khope Fathers Name: Sanjay Prabhu Khope House Number : 15/601/A Age : 33 Gender : Male</p> <p>Photo</p> <p>Available</p>	<p>376</p> <p>INX0377523</p> <p>Name : Sairaj Prabhu Khope Fathers Name: Sanjay Suryaji Prabhu Khope House Number : 15/601/A Age : 27 Gender : Male</p> <p>Photo</p> <p>Available</p>
<p>377</p> <p>ZHS4543716</p> <p>Name : FARANAK BRAGANZA Others: KARL BRAGANZA House Number : 15/630/2, D-2/B, Age : 61 Gender : Female</p> <p>Photo</p> <p>Available</p>	<p>378</p> <p>INX0405803</p> <p>Name : KIAN MARIO BRAGANZA Others: KARL BRAGANZA House Number : 15/630/2, D-2/B, Age : 23 Gender : Female</p> <p>Photo</p> <p>Available</p>	<p>379</p> <p>INX0390781</p> <p>Name : Raymond Dias Barreto Fathers Name: Antonio Dias Barreto House Number : 593 Age : 55 Gender : Male</p> <p>Photo</p> <p>Available</p>
<p>380</p> <p>INX0432377</p> <p>Name : Frida Victor Monteiro Husbands Name: Victor Monteiro House Number : 593 Age : 79 Gender : Female</p> <p>Photo</p> <p>Available</p>	<p>381</p> <p>CCQ9296484</p> <p>Name : Pearl Victor Monteiro Fathers Name: Victor Monteiro House Number : 593 Age : 47 Gender : Female</p> <p>Photo</p> <p>Available</p>	<p>382</p> <p>CCQ4821708</p> <p>Name : Jeanne Monteiro Fathers Name: Victor Monteiro House Number : 593 Age : 45 Gender : Female</p> <p>Photo</p> <p>Available</p>
<p>383</p> <p>INX0310359</p> <p>Name : Mercedes Urban Lobo Fathers Name: Urban Lobo House Number : 598 Age : 77 Gender : Female</p> <p>Photo</p> <p>Available</p>	<p>384</p> <p>INX0310367</p> <p>Name : Charmaine Michael De'Souza Fathers Name: Michael De'Souza House Number : 612 Age : 47 Gender : Female</p> <p>Photo</p> <p>Available</p>	<p>385</p> <p>INX0432369</p> <p>Name : Mark Michael De'Souza Fathers Name: Michael De'Souza House Number : 612 Age : 46 Gender : Male</p> <p>Photo</p> <p>Available</p>
<p>386</p> <p>INX0244350</p> <p>Name : Norma Evaristo Fernandes Husbands Name: Evaristo Fernandes House Number : 612-A Age : 68 Gender : Female</p> <p>Photo</p> <p>Available</p>	<p>387</p> <p>INX0243832</p> <p>Name : Evaristo Inocencio Fernandes Fathers Name: Inocencio Fernandes House Number : 612-A Age : 66 Gender : Male</p> <p>Photo</p> <p>Available</p>	<p>388</p> <p>CCQ0836726</p> <p>Name : Andrea Fernandes Fathers Name: Evaristo Fernandes House Number : 612-A Age : 37 Gender : Female</p> <p>Photo</p> <p>Available</p>
<p>389</p> <p>INX0303099</p> <p>Name : Sonia Lobo Fathers Name: Rohit Cajetan Lobo House Number : 612-A Age : 32 Gender : Female</p> <p>Photo</p> <p>Available</p>	<p>390</p> <p>INX0293258</p> <p>Name : Shafeeq Ismail Mitha Fathers Name: Ismail Mitha House Number : 618 Age : 51 Gender : Male</p> <p>Photo</p> <p>Available</p>	<p>391</p> <p>CCQ0187732</p> <p>Name : Maria Lourdes Do Rosario Noronha Fathers Name: Alberto De Noronha House Number : 619 C/14 Age : 64 Gender : Female</p> <p>Photo</p> <p>Available</p>
<p>392</p> <p>INX0251330</p> <p>Name : Sandra De Santa Rita Vaz Husbands Name: Oscar De Santa Rita Vaz House Number : 620 Age : 66 Gender : Female</p> <p>Photo</p> <p>Available</p>	<p>393</p> <p>INX0269902</p> <p>Name : Heidi Farrah De Santa Rita Vaz Fathers Name: Oscar De Santa Rita Vaz House Number : 620 Age : 34 Gender : Female</p> <p>Photo</p> <p>Available</p>	<p>394</p> <p>INX0341560</p> <p>Name : Nigel Fernando De Santa Rita Vaz Fathers Name: Oscar De Santa Rita Vaz House Number : 620 Age : 30 Gender : Male</p> <p>Photo</p> <p>Available</p>

<p>395</p> <p>INX0360230</p> <p>Name : Eric De Santa Rita Vaz Fathers Name: Oscar Lourdes De Santa Rita Vaz House Number : 620 Age : 28 Gender : Male</p> <p>Photo</p> <p>Available</p>	<p>396</p> <p>INX0251223</p> <p>Name : Oscar Rita Vaz Fathers Name: Fernando De Santa Rita Vaz House Number : 620 Age : 74 Gender : Male</p> <p>Photo</p> <p>Available</p>	<p>397</p> <p>INX0243048</p> <p>Name : Siddhartha D'souza Fathers Name: Benedict D'souza House Number : 621 Age : 38 Gender : Male</p> <p>Photo</p> <p>Available</p>
<p>398</p> <p>CCQ2633626</p> <p>Name : Myra Shroff Husbands Name: Burjor Shroff House Number : 626 Age : 93 Gender : Female</p> <p>Photo</p> <p>Available</p>	<p>399</p> <p>INX0369157</p> <p>Name : Nihal Gonsalves Fathers Name: Armando Gonsalves House Number : 642(D-13) Age : 27 Gender : Male</p> <p>Photo</p> <p>Available</p>	<p>400</p> <p>INX0285577</p> <p>Name : Averthanus Luis D'Souza Fathers Name: Luis D'Souza House Number : 642d-13 Age : 87 Gender : Male</p> <p>Photo</p> <p>Available</p>
<p>401</p> <p>INX0389809</p> <p>Name : Anjali D'Souza Fathers Name: Averthanus Luis D'Souza House Number : 642d-13 Age : 51 Gender : Female</p> <p>Photo</p> <p>Available</p>	<p>402</p> <p>INX0285635</p> <p>Name : Anastacia Kerketa Mothers Name: A. Kerketa House Number : 642d-13 Age : 48 Gender : Female</p> <p>Photo</p> <p>Available</p>	<p>403</p> <p>CCQ8313322</p> <p>Name : Shaila De Souza Husbands Name: Pranab Mukhopadhyay House Number : 643/D-14 Age : 57 Gender : Female</p> <p>Photo</p> <p>Available</p>
<p>404</p> <p>CCQ8313348</p> <p>Name : Pranab Mukhopadhyay Fathers Name: Pritinoy Mukherjee House Number : 643/D-14 Age : 58 Gender : Male</p> <p>Photo</p> <p>Available</p>	<p>405</p> <p>INX0315564</p> <p>Name : Rohan Prakash Hede Fathers Name: Prakash Hede House Number : 644 Age : 56 Gender : Male</p> <p>Photo</p> <p>Available</p>	<p>406</p> <p>CCQ0846964</p> <p>Name : Ajay Bharati Fathers Name: Narayan Bharati House Number : 644(D-15) Age : 46 Gender : Male</p> <p>Photo</p> <p>Available</p>
<p>407</p> <p>INX0315572</p> <p>Name : Prakash Rajaram Hede Fathers Name: Rajaram Hede House Number : 644(D-15) Age : 86 Gender : Male</p> <p>Photo</p> <p>Available</p>	<p>408</p> <p>INX0316562</p> <p>Name : Prafulla R. Hede Fathers Name: Rajaram Hede House Number : 644(D-15) Age : 85 Gender : Male</p> <p>Photo</p> <p>Available</p>	<p>409</p> <p>INX0315580</p> <p>Name : Usha Prakash Hede Husbands Name: Prakash Hede House Number : 644(D-15) Age : 77 Gender : Female</p> <p>Photo</p> <p>Available</p>
<p>410</p> <p>INX0316612</p> <p>Name : Shobha Prafulla Hede Husbands Name: Prafulla Hede House Number : 644(D-15) Age : 76 Gender : Female</p> <p>Photo</p> <p>Available</p>	<p>411</p> <p>INX0316620</p> <p>Name : Samit Prafulla Hede Fathers Name: Prafulla Hede House Number : 644(D-15) Age : 49 Gender : Male</p> <p>Photo</p> <p>Available</p>	<p>412</p> <p>CCQ2635191</p> <p>Name : Audrey Fatima Vaz Husbands Name: Joe Vaz House Number : 647-B Age : 68 Gender : Female</p> <p>Photo</p> <p>Available</p>
<p>413</p> <p>INX0310581</p> <p>Name : Jason Savio Vaz Fathers Name: Joe Vaz House Number : 647-B Age : 39 Gender : Male</p> <p>Photo</p> <p>Available</p>	<p>414</p> <p>CCQ5151329</p> <p>Name : Alethea Fatima Vaz Fathers Name: Joe Vaz House Number : 647-b Age : 38 Gender : Female</p> <p>Photo</p> <p>Available</p>	<p>415</p> <p>INX0310433</p> <p>Name : Lilia Maria D'Souza Husbands Name: Luis Colaco D'Souza House Number : 659 Age : 80 Gender : Female</p> <p>Photo</p> <p>Available</p>
<p>416</p> <p>INX0234542</p> <p>Name : Artur Frank Sequeira Fathers Name: Frank Sequeira House Number : 664 Age : 75 Gender : Male</p> <p>Photo</p> <p>Available</p>	<p>417</p> <p>INX0234526</p> <p>Name : Patricia Artur Sequeira Husbands Name: Artur Sequeira House Number : 664 Age : 66 Gender : Female</p> <p>Photo</p> <p>Available</p>	<p>418</p> <p>INX0285601</p> <p>Name : Anisha Sequeira Fathers Name: Artur Sequeira House Number : 664 Age : 40 Gender : Female</p> <p>Photo</p> <p>Available</p>
<p>419</p> <p>INX0285643</p> <p>Name : Nadine Sequeira Fathers Name: Artur Sequeira House Number : 664 Age : 37 Gender : Female</p> <p>Photo</p> <p>Available</p>	<p>420</p> <p>INX0242982</p> <p>Name : Clive Anthony Lobo Fathers Name: Anthony Lobo House Number : 664-1 Age : 59 Gender : Male</p> <p>Photo</p> <p>Available</p>	<p>421</p> <p>INX0242990</p> <p>Name : Harlyne Clive Lobo Husbands Name: Clive Lobo House Number : 664-1 Age : 58 Gender : Female</p> <p>Photo</p> <p>Available</p>
<p>422</p> <p>INX0390757</p> <p>Name : Brandon Lobo Mothers Name: Harlyne Clive Lobo House Number : 664-1 Age : 27 Gender : Male</p> <p>Photo</p> <p>Available</p>	<p>423</p> <p>INX0076406</p> <p>Name : Ana Preciosa Rebelo Husbands Name: Sebastiao Ciro Rebelo House Number : 665 Age : 53 Gender : Female</p> <p>Photo</p> <p>Available</p>	<p>424</p> <p>INX0076422</p> <p>Name : Sebastiao Cido Rebelo Mothers Name: Ruaria Viegas House Number : 665 Age : 58 Gender : Male</p> <p>Photo</p> <p>Available</p>

425 Name : Rubina Joanit Fernandes Husbands Name: Antonio De Almeida House Number : 707 Age : 30 Gender : Female Photo Available	INX0411199	426 Name : Ayas Khan Fathers Name: Faiyaz Khan House Number : 718 Age : 20 Gender : Male Photo Available	INX0449363	427 Name : Mithun Chavan Fathers Name: Baddu Chavan House Number : 720 Age : 36 Gender : Male Photo Available	INX0243089
428 Name : SAVITA NAIK Husbands Name: SANTOSH NAIK House Number : 720 Age : 26 Gender : Female Photo Available	INX0457564	429 Name : Melany D'Souza Fathers Name: Menino D'Souza House Number : 722 Age : 38 Gender : Female Photo Available	CCQ5157854	430 Name : Ram Santosh Saroj Fathers Name: Santosh Saroj House Number : 732 Age : 22 Gender : Male Photo Available	INX0437848
431 Name : Vinita Rao Husbands Name: Rajesh Rao House Number : A-5 Age : 62 Gender : Female Photo Available	INX0419036	432 Name : Miriam Sukhija Husbands Name: Jack Sukhija House Number : A/19/8 Age : 46 Gender : Female Photo Available	INX0316596	433 Name : Jack Sukhija Fathers Name: Ajit Sukhija House Number : A/19/8 Age : 44 Gender : Male Photo Available	INX0316653
434 Name : Uma Salgaonker Husbands Name: Shekhar Salgaonker House Number : Banglow No.B-6 Age : 44 Gender : Female Photo Available	INX0438051	435 Name : Kran Prakash Kittur Fathers Name: Prakash Kittur House Number : C-1 Age : 27 Gender : Female Photo Available	INX0370486	436 Name : Ritu Kittur Fathers Name: Prakash Kittur House Number : C-1 Age : 26 Gender : Female Photo Available	INX0374637
437 Name : Anil Kumar Chaubey Others: Na House Number : C-4 Age : 63 Gender : Male Photo Available	INX0419010	438 Name : Madhuri Chaubey Husbands Name: Anil Kumar Chaubey House Number : C-4 Age : 53 Gender : Female Photo Available	INX0325613	439 Name : Anup Kumar Chaubey Fathers Name: Anil Kumar Chaubey House Number : C-4 Age : 36 Gender : Male Photo Available	CCQ0846923
440 Name : Manish Chaubey Fathers Name: Anil Kumar Chaubey House Number : C-4 Age : 29 Gender : Male Photo Available	INX0344754	441 Name : Soraya Fernandes E Pereira Husbands Name: Gregory Ian Pereira House Number : C-17a Age : 55 Gender : Female Photo Available	INX0306050	442 Name : Gregory Ian Pereira Fathers Name: Domingos Felix Pereira House Number : C-17a Age : 56 Gender : Male Photo Available	INX0306068
443 Name : PRIYANKA GAWADE Fathers Name: GOPAL GAWADE House Number : C-16/196 Age : 27 Gender : Female Photo Available	INX0403188	444 Name : Nasrin Isaac Husbands Name: James Isaac House Number : D-2-B Age : 42 Gender : Female Photo Available	INX0070037	445 Name : Thressa Isaac Fathers Name: Thomas Isaac House Number : D-10 Age : 40 Gender : Female Photo Available	INX0075481
446 Name : Anil Thomas V Isaac Fathers Name: Thomas Isaac House Number : D-10 Age : 38 Gender : Male Photo Available	CCQ0818302	447 Name : Raghavendra Bhupal Fathers Name: Ramachandrappa Bhupal House Number : D-11 Age : 66 Gender : Male Photo Available	CCQ0004085	448 Name : B. R. Lalitha Bhupal Husbands Name: B. Raghavendra Bhupal House Number : D-11 Age : 63 Gender : Female Photo Available	CCQ0004077
449 Name : B R Srikanth Bhupal Fathers Name: B. Raghavendra House Number : D-11 Age : 34 Gender : Male Photo Available	INX0243931	450 Name : Fatima Analia Roncon Fathers Name: Carlos Roncon House Number : D-18/647 Age : 73 Gender : Female Photo Available	CCQ0822585	451 Name : Shyam Murajmal Gangwani Fathers Name: Murajmal Gangwani House Number : E-6 Age : 83 Gender : Male Photo Available	INX0243915
452 Name : Patricia Correa Colaco Husbands Name: Caetano Filipe Colaco House Number : E-13 Age : 73 Gender : Female Photo Available	INX0247197	453 Name : Nikhil Correa Colaco Fathers Name: Caetano F. Colaco House Number : E-13 Age : 44 Gender : Male Photo Available	INX0270009	S 454 Name : Kodarbhai Kalal Fathers Name: Manoj Bha Kalal House Number : E-14 Age : 66 Gender : Male Photo Available	CCQ5154471

<p>S 455</p> <p>CCQ5154000</p> <p>Name : Bachuben Kalal                      Husbands Name: Kodar Bhai Kalal                      House Number : E-14                      Age : 63 Gender : Female</p> <p>Photo Available</p>	<p>456</p> <p>CCQ5153986</p> <p>Name : Seema Sud                      Husbands Name: Nitin Sud                      House Number : E-14                      Age : 53 Gender : Female</p> <p>Photo Available</p>	<p>457</p> <p>CCQ5153994</p> <p>Name : Nitin Sud                      Fathers Name: Virendra Kumar Sud                      House Number : E-14                      Age : 52 Gender : Male</p> <p>Photo Available</p>
<p>458</p> <p>CCQ0436451</p> <p>Name : Jose Antonio Paulo Coutinho                      Fathers Name: Paulo Coutinho                      House Number : E-15                      Age : 81 Gender : Male</p> <p>Photo Available</p>	<p>459</p> <p>INX0310417</p> <p>Name : Socorro Ivona Coutinho                      Husbands Name: Jose Antonio Coutinho                      House Number : E-15                      Age : 75 Gender : Female</p> <p>Photo Available</p>	<p>460</p> <p>CCQ0436469</p> <p>Name : Syne Tellis Coutinho                      Fathers Name: Jose Antonio Coutinho                      House Number : E-15                      Age : 46 Gender : Female</p> <p>Photo Available</p>
<p>461</p> <p>CCQ0002881</p> <p>Name : George Baracho                      Fathers Name: Alfred Baracho                      House Number : E-16                      Age : 85 Gender : Male</p> <p>Photo Available</p>	<p>462</p> <p>CCQ8315384</p> <p>Name : Celsa Maducar Cormoli                      Husbands Name: Maducar Cormoli                      House Number : F6                      Age : 88 Gender : Female</p> <p>Photo Available</p>	<p>463</p> <p>CCQ8314478</p> <p>Name : Maducar Sadananda Naique Cormoli                      Fathers Name: Sadananda Naique Cormoli                      House Number : F6                      Age : 87 Gender : Male</p> <p>Photo Available</p>
<p>464</p> <p>CCQ8315772</p> <p>Name : Dr. Gautam Cormoli                      Fathers Name: Maducar Cormoli                      House Number : F6                      Age : 47 Gender : Male</p> <p>Photo Available</p>	<p>465</p> <p>INX0446492</p> <p>Name : Pratha De Souza                      Husbands Name: Clayton Mark De Souza                      House Number : F-14                      Age : 31 Gender : Female</p> <p>Photo Available</p>	<p>466</p> <p>INX0446567</p> <p>Name : Arun kumar Jha                      Mothers Name: Sumita Devi                      House Number : G4A                      Age : 64 Gender : Male</p> <p>Photo Available</p>
<p>467</p> <p>INX0462457</p> <p>Name : MERCIA RODRIGUES                      Fathers Name: VICTOR RODRIGUES                      House Number : H NO 15/718                      Age : 19 Gender : Female</p> <p>Photo Available</p>	<p>468</p> <p>INX0344812</p> <p>Name : Gautam Mudgal                      Fathers Name: Naresh Kumar Sharma                      House Number : S-1                      Age : 32 Gender : Male</p> <p>Photo Available</p>	

<p>469</p> <p>INX0336883</p> <p>Name : Shanice Marushka Monteiro                      Fathers Name: Ajit Savio Monteiro                      House Number : 15/645                      Age : 30 Gender : Female</p> <p>Photo Available</p>	<p>470</p> <p>AQI0300566</p> <p>Name : Lucinda Negredo                      Husbands Name: Sebastiao Fernandes                      House Number : 15/709                      Age : 56 Gender : Female</p> <p>Photo Available</p>	<p>471</p> <p>CCQ0436121</p> <p>Name : Ana Maria Pires                      Fathers Name: Francisco Xavier S. Pires                      House Number : 15/699/A                      Age : 54 Gender : Female</p> <p>Photo Available</p>
<p>472</p> <p>CCQ2626208</p> <p>Name : Jose Amaro Vaz                      Fathers Name: Joao Vaz                      House Number : 674                      Age : 71 Gender : Male</p> <p>Photo Available</p>	<p>473</p> <p>INX0419002</p> <p>Name : Rosa Jose Amaro Vaz                      Husbands Name: Jose A. Vaz                      House Number : 674                      Age : 70 Gender : Female</p> <p>Photo Available</p>	<p>474</p> <p>CCQ8321994</p> <p>Name : Doris Faria Vaz                      Fathers Name: Jose A. Vaz                      House Number : 674                      Age : 52 Gender : Female</p> <p>Photo Available</p>
<p>475</p> <p>INX0070532</p> <p>Name : Francis Xavier Vaz                      Fathers Name: Jose A. Vaz                      House Number : 674                      Age : 51 Gender : Male</p> <p>Photo Available</p>	<p>476</p> <p>CCQ8321986</p> <p>Name : Miguel Vaz                      Fathers Name: Jose A. Vaz                      House Number : 674                      Age : 50 Gender : Male</p> <p>Photo Available</p>	<p>477</p> <p>INX0311340</p> <p>Name : Candida Vaz                      Husbands Name: Romualdo Vaz                      House Number : 674                      Age : 48 Gender : Female</p> <p>Photo Available</p>
<p>478</p> <p>INX0311332</p> <p>Name : Romualda Vaz                      Fathers Name: Jose A. Vaz                      House Number : 674                      Age : 48 Gender : Male</p> <p>Photo Available</p>	<p>479</p> <p>INX0247353</p> <p>Name : Blossom Vaz                      Fathers Name: Jose A. Vaz                      House Number : 674                      Age : 40 Gender : Female</p> <p>Photo Available</p>	<p>480</p> <p>INX0285585</p> <p>Name : Dr. Fatima D'Souza                      Fathers Name: Cecil D'Souza                      House Number : 676                      Age : 60 Gender : Female</p> <p>Photo Available</p>
<p>481</p> <p>CCQ8316457</p> <p>Name : Tablic Veljee                      Fathers Name: Kamruddin Veljee                      House Number : 678                      Age : 69 Gender : Female</p> <p>Photo Available</p>	<p>482</p> <p>CCQ8316465</p> <p>Name : Brenda Veljee                      Husbands Name: Tablic Veljee                      House Number : 678                      Age : 64 Gender : Female</p> <p>Photo Available</p>	<p>483</p> <p>CCQ0828475</p> <p>Name : Tahira Veljee                      Fathers Name: Tablic Veljee                      House Number : 678                      Age : 39 Gender : Female</p> <p>Photo Available</p>
<p>484</p> <p>CCQ8313298</p> <p>Name : Anthony Cajetan Barretto                      Fathers Name: Eugene Barretto                      House Number : 684                      Age : 80 Gender : Male</p> <p>Photo Available</p>	<p>485</p> <p>CCQ0752154</p> <p>Name : Edwin Claudia Barretto                      Husbands Name: Anthony Cajetan Barretto                      House Number : 684                      Age : 74 Gender : Female</p> <p>Photo Available</p>	<p>486</p> <p>INX0316661</p> <p>Name : Ajoy Barretto                      Fathers Name: Anthony Barretto                      House Number : 684                      Age : 42 Gender : Male</p> <p>Photo Available</p>
<p>487</p> <p>INX0316638</p> <p>Name : Ayesha Barretto                      Fathers Name: Anthony Barretto                      House Number : 684                      Age : 39 Gender : Female</p> <p>Photo Available</p>	<p>488</p> <p>INX0318972</p> <p>Name : Wallace Walter Gonsalves                      Fathers Name: Justino Gonsalves                      House Number : 685                      Age : 47 Gender : Male</p> <p>Photo Available</p>	<p>489</p> <p>CCQ0435347</p> <p>Name : Carlos Daniel Azarias De Sa                      Fathers Name: Eusebio De Sa                      House Number : 689                      Age : 61 Gender : Male</p> <p>Photo Available</p>
<p>490</p> <p>CCQ2635183</p> <p>Name : Linette Lourdes Alcantara De Sa                      Husbands Name: Carlos Daniel De'Sa                      House Number : 689                      Age : 59 Gender : Female</p> <p>Photo Available</p>	<p>491</p> <p>INX0418996</p> <p>Name : Anabelle Celisa De Sa                      Fathers Name: Eusebio De Sa                      House Number : 689                      Age : 54 Gender : Female</p> <p>Photo Available</p>	<p>492</p> <p>INX0367920</p> <p>Name : Warren Eusebio De Sa                      Fathers Name: Carlos Daniel Azarias De Sa                      House Number : 689                      Age : 27 Gender : Male</p> <p>Photo Available</p>
<p>493</p> <p>INX0374181</p> <p>Name : Errol Edward Daniel De Sa                      Fathers Name: Carlos Daniel Azarias De Sa                      House Number : 689                      Age : 26 Gender : Male</p> <p>Photo Available</p>	<p>S 494</p> <p>CCQ0825307</p> <p>Name : Murgesh Dabanad                      Fathers Name: Yashwanth Dabanad                      House Number : 696                      Age : 49 Gender : Male</p> <p>Photo Available</p>	<p>S 495</p> <p>CCQ0825299</p> <p>Name : Renuka Dabanad                      Husbands Name: Murgesh Dabanad                      House Number : 696                      Age : 44 Gender : Female</p> <p>Photo Available</p>
<p>496</p> <p>INX0285502</p> <p>Name : Jessica Fernandes                      Husbands Name: Santano Stanley Rodrigues                      House Number : 696                      Age : 40 Gender : Female</p> <p>Photo Available</p>	<p>S 497</p> <p>CCQ5153267</p> <p>Name : Soma Gawas                      Fathers Name: Bhikaji Gawas                      House Number : 696                      Age : 50 Gender : Male</p> <p>Photo Available</p>	<p>S 498</p> <p>CCQ5153705</p> <p>Name : Krishna Pedkar                      Fathers Name: Rama Pedkar                      House Number : 696                      Age : 43 Gender : Male</p> <p>Photo Available</p>

<p>499</p> <p>CCQ0435693</p> <p>Name : Adelaide Pereira                      Husbands Name: Miguel Antonio Rodrigues                      House Number : 696                      Age : 66 Gender : Female</p> <p>Photo Available</p>	<p>500</p> <p>INX0075705</p> <p>Name : Miguel Antonio Rodrigues                      Fathers Name: Santana Rodrigues                      House Number : 696                      Age : 71 Gender : Male</p> <p>Photo Available</p>	<p>501</p> <p>CCQ9297953</p> <p>Name : Santano Stanley Rodrigues                      Fathers Name: Minguel Antonio Rodrigues                      House Number : 696                      Age : 44 Gender : Male</p> <p>Photo Available</p>
<p>502</p> <p>INX0338921</p> <p>Name : Anthony Rodrigues                      Fathers Name: Minguel Antonio Santana Rodrigues                      House Number : 696                      Age : 32 Gender : Male</p> <p>Photo Available</p>	<p># 503</p> <p>CCQ5154323</p> <p>Name : Clerina Rodrigues                      Fathers Name: Andre Rodrigues                      House Number : 696-a                      Age : 36 Gender : Female</p> <p>Photo Available</p>	<p>504</p> <p>INX0242065</p> <p>Name : Marian Santana Rodrigues                      Fathers Name: Santana Rodrigues                      House Number : 696-B                      Age : 57 Gender : Male</p> <p>Photo Available</p>
<p>505</p> <p>INX0307017</p> <p>Name : Filomena Rodrigues                      Husbands Name: Marian Rodrigues                      House Number : 696-B                      Age : 58 Gender : Female</p> <p>Photo Available</p>	<p>506</p> <p>INX0241885</p> <p>Name : Carlos Rodrigues                      Fathers Name: Santana Rodrigues                      House Number : 696-B                      Age : 55 Gender : Male</p> <p>Photo Available</p>	<p>507</p> <p>CCQ2626695</p> <p>Name : Piedade Teixeira                      Husbands Name: John Rodrigues                      House Number : 696-B                      Age : 64 Gender : Female</p> <p>Photo Available</p>
<p>508</p> <p>CCQ0436246</p> <p>Name : Esmeralda Fernandes                      Husbands Name: Joao Rodrigues                      House Number : 697                      Age : 51 Gender : Female</p> <p>Photo Available</p>	<p>509</p> <p>CCQ0187278</p> <p>Name : Maria Amalia Monteiro                      Husbands Name: Jose Rodrigues                      House Number : 697                      Age : 81 Gender : Female</p> <p>Photo Available</p>	<p>510</p> <p>CCQ0435883</p> <p>Name : Maria Martins                      Husbands Name: Gabriel Camilo                      House Number : 698                      Age : 56 Gender : Female</p> <p>Photo Available</p>
<p>511</p> <p>CCQ0435487</p> <p>Name : Cajetan Camilo                      Fathers Name: Joao Kamilo                      House Number : 698                      Age : 44 Gender : Male</p> <p>Photo Available</p>	<p>512</p> <p>INX0357343</p> <p>Name : Deepa Patil                      Fathers Name: Ram Patil                      House Number : 699                      Age : 32 Gender : Female</p> <p>Photo Available</p>	<p>513</p> <p>INX0321828</p> <p>Name : Rose Maria Rodrigues                      Husbands Name: Deepak Francisco Rodrigues                      House Number : 699                      Age : 49 Gender : Female</p> <p>Photo Available</p>
<p>514</p> <p>INX0321836</p> <p>Name : Lourdes Vaz                      Husbands Name: Cruz Vaz                      House Number : 699                      Age : 72 Gender : Female</p> <p>Photo Available</p>	<p>515</p> <p>CCQ0838714</p> <p>Name : Angelica Vaz                      Husbands Name: Manuel Domingos Vaz                      House Number : 699                      Age : 64 Gender : Female</p> <p>Photo Available</p>	<p>516</p> <p>CCQ0435834</p> <p>Name : Ram Patil                      Fathers Name: Raj Patil                      House Number : 699-D                      Age : 54 Gender : Male</p> <p>Photo Available</p>
<p>517</p> <p>CCQ5412648</p> <p>Name : Laxmi Ram Patil                      Husbands Name: Ram Patil                      House Number : 699-D                      Age : 48 Gender : Female</p> <p>Photo Available</p>	<p>518</p> <p>INX0369165</p> <p>Name : Prabhu Patil                      Fathers Name: Ram Patil                      House Number : 699-D                      Age : 27 Gender : Male</p> <p>Photo Available</p>	<p>519</p> <p>INX0391045</p> <p>Name : Yeshwant Patil                      Fathers Name: Ram Patil                      House Number : 699-D                      Age : 25 Gender : Male</p> <p>Photo Available</p>
<p>S 520</p> <p>CCQ5157185</p> <p>Name : Sagunan                      Fathers Name: Neel Kantaran                      House Number : 699-E                      Age : 61 Gender : Male</p> <p>Photo Available</p>	<p>S 521</p> <p>CCQ5148580</p> <p>Name : Prakash Tayawagol                      Fathers Name: Kadappa Tayawagol                      House Number : 699-E                      Age : 44 Gender : Male</p> <p>Photo Available</p>	<p>S 522</p> <p>CCQ5148598</p> <p>Name : Sumitra Tayawagol                      Husbands Name: Prakash Tayawagol                      House Number : 699-E                      Age : 40 Gender : Female</p> <p>Photo Available</p>
<p>S 523</p> <p>CCQ5155437</p> <p>Name : Kanyalal Chawan                      Fathers Name: Ramdhari Chawan                      House Number : 699-F                      Age : 44 Gender : Male</p> <p>Photo Available</p>	<p>524</p> <p>CCQ5155445</p> <p>Name : Rakesh Chawan                      Fathers Name: Ramdhari Chawan                      House Number : 699-F                      Age : 42 Gender : Male</p> <p>Photo Available</p>	<p>S 525</p> <p>CCQ5155429</p> <p>Name : Lalitakumari Chawan                      Husbands Name: Kanyalal Chawan                      House Number : 699-F                      Age : 41 Gender : Female</p> <p>Photo Available</p>
<p>S 526</p> <p>INX0242958</p> <p>Name : Ashok Kandre                      Fathers Name: Abban Kandre                      House Number : 699-K                      Age : 48 Gender : Male</p> <p>Photo Available</p>	<p>S 527</p> <p>CCQ0841635</p> <p>Name : Sangeeta Kandre                      Husbands Name: Ashok Kandre                      House Number : 699-K                      Age : 38 Gender : Female</p> <p>Photo Available</p>	<p>528</p> <p>INX0246876</p> <p>Name : Dominic Domingos Isaac                      Fathers Name: Domingos Isaac                      House Number : 700                      Age : 71 Gender : Male</p> <p>Photo Available</p>

<p>529</p> <p>CCQ0435743</p> <p>Name : Ana Francis Domic Isaac                      Husbands Name: Domic Isaac                      House Number : 700                      Age : 72 Gender : Female</p> <p>Photo Available</p>	<p>530</p> <p>INX0285510</p> <p>Name : Ana Maria D' Sa                      Husbands Name: Dioginho Rodrigues                      House Number : 701                      Age : 53 Gender : Female</p> <p>Photo Available</p>	<p>S 531</p> <p>CCQ0817551</p> <p>Name : Francis D'Souza                      Fathers Name: Patroli D Souza                      House Number : 701                      Age : 44 Gender : Male</p> <p>Photo Available</p>
<p>S 532</p> <p>CCQ0818617</p> <p>Name : Santosh D'Souza                      Fathers Name: Santana D'Souza                      House Number : 701/A                      Age : 42 Gender : Male</p> <p>Photo Available</p>	<p>533</p> <p>CCQ0186841</p> <p>Name : Dioginho Rodrigues                      Fathers Name: Francisco Rodrigues                      House Number : 701                      Age : 59 Gender : Male</p> <p>Photo Available</p>	<p>534</p> <p>INX0285528</p> <p>Name : Christina Cabral                      Husbands Name: Antonio Rodrigues                      House Number : 701/A                      Age : 55 Gender : Female</p> <p>Photo Available</p>
<p>S 535</p> <p>CCQ2633469</p> <p>Name : Jose Carmo Silveira                      Fathers Name: Anton Silveira                      House Number : 701/A                      Age : 48 Gender : Male</p> <p>Photo Available</p>	<p>S 536</p> <p>CCQ0187682</p> <p>Name : Joaquim Silveira                      Fathers Name: Anton Silveira                      House Number : 701/A                      Age : 47 Gender : Male</p> <p>Photo Available</p>	<p>S 537</p> <p>CCQ0186981</p> <p>Name : Constantina D'souza                      Husbands Name: John D'souza                      House Number : 701/B                      Age : 52 Gender : Female</p> <p>Photo Available</p>
<p>S 538</p> <p>INX0243600</p> <p>Name : Prakash Kaddi                      Fathers Name: Malleshappa Kaddi                      House Number : 701/D                      Age : 44 Gender : Male</p> <p>Photo Available</p>	<p>S 539</p> <p>INX0321844</p> <p>Name : Sureshkumar Saini                      Fathers Name: Dharmaram Saini                      House Number : 701/H                      Age : 45 Gender : Male</p> <p>Photo Available</p>	<p>S 540</p> <p>CCQ0826578</p> <p>Name : Nanuram Saini                      Fathers Name: Dharmaram Saini                      House Number : 701/H                      Age : 43 Gender : Male</p> <p>Photo Available</p>
<p>S 541</p> <p>INX0338715</p> <p>Name : Subodh Sahni                      Fathers Name: Balenwar Sahni                      House Number : 701                      Age : 31 Gender : Male</p> <p>Photo Available</p>	<p>S 542</p> <p>INX0337725</p> <p>Name : Guddya Sahni                      Husbands Name: Subodh Sahni                      House Number : 701                      Age : 30 Gender : Female</p> <p>Photo Available</p>	<p>543</p> <p>INX0391169</p> <p>Name : David Mascarenhas                      Fathers Name: Christopher Mascarenhas                      House Number : B 7, La Marvel Colony                      Age : 25 Gender : Male</p> <p>Photo Available</p>
<p>544</p> <p>INX0391102</p> <p>Name : Esther Mascarenhas                      Husbands Name: Christopher Mascarenhas                      House Number : B7                      Age : 60 Gender : Female</p> <p>Photo Available</p>	<p>545</p> <p>INX0391177</p> <p>Name : Caralise Ann Mascarenhas                      Fathers Name: Christopher Mascarenhas                      House Number : B7                      Age : 28 Gender : Female</p> <p>Photo Available</p>	<p>546</p> <p>INX0247189</p> <p>Name : Caetano Filipe Colaco                      Fathers Name: Albino Colaco                      House Number : E-13                      Age : 75 Gender : Male</p> <p>Photo Available</p>
<p>547</p> <p>INX0303040</p> <p>Name : Maria Augusta D'Souza                      Husbands Name: Wallace Walter Gonsalves                      House Number : G6a, 685                      Age : 48 Gender : Female</p> <p>Photo Available</p>		

<p>548</p> <p>INX0407718</p> <p>Name : Sanjay Raj Patil                      Others: Nagamma Sanjay Patil                      House Number : 701                      Age : 47 Gender : Male</p> <p>Photo                      Available</p>	<p>549</p> <p>INX0241901</p> <p>Name : Fatima Rodrigues                      Husbands Name: Aureliano Lourenco Rodrigues                      House Number : 702                      Age : 68 Gender : Female</p> <p>Photo                      Available</p>	<p>550</p> <p>INX0318048</p> <p>Name : Francisco Rodrigues                      Fathers Name: Aurelino Lurenco Rodrigues                      House Number : 702                      Age : 47 Gender : Male</p> <p>Photo                      Available</p>
<p>551</p> <p>INX0243519</p> <p>Name : Carlos Rodrigues                      Fathers Name: Aureliano Lourenco Rodrigues                      House Number : 702                      Age : 45 Gender : Male</p> <p>Photo                      Available</p>	<p>552</p> <p>INX0318055</p> <p>Name : Rosita Conceicao Rodrigues                      Fathers Name: Aurelino Lourenco Rodrigues                      House Number : 702                      Age : 42 Gender : Female</p> <p>Photo                      Available</p>	<p>553</p> <p>INX0398669</p> <p>Name : Monica Sanjay Sawant                      Husbands Name: Carlos Rodrigues                      House Number : 702                      Age : 30 Gender : Female</p> <p>Photo                      Available</p>
<p>554</p> <p>INX0285536</p> <p>Name : Antonio Rodrigues                      Fathers Name: Francisco Rodrigues                      House Number : 702/A                      Age : 64 Gender : Male</p> <p>Photo                      Available</p>	<p>555</p> <p>INX0285544</p> <p>Name : Jesusley Rodrigues                      Fathers Name: Antonio Rodrigues                      House Number : 702/A                      Age : 45 Gender : Male</p> <p>Photo                      Available</p>	<p>556</p> <p>INX0431346</p> <p>Name : Francis Antonio Afonso                      Fathers Name: Antonio Afonso                      House Number : 704                      Age : 58 Gender : Male</p> <p>Photo                      Available</p>
<p>557</p> <p>INX0344853</p> <p>Name : Elizabeth Afonso                      Fathers Name: Antonio Afonso                      House Number : 704                      Age : 51 Gender : Female</p> <p>Photo                      Available</p>	<p>558</p> <p>INX0307900</p> <p>Name : Minguel Camelo                      Fathers Name: Idalina Sebastiao Camelo                      House Number : 705                      Age : 70 Gender : Male</p> <p>Photo                      Available</p>	<p>559</p> <p>INX0307918</p> <p>Name : Piedade Camelo                      Husbands Name: M Inguel Camelo                      House Number : 705                      Age : 63 Gender : Female</p> <p>Photo                      Available</p>
<p>560</p> <p>CCQ8319550</p> <p>Name : Seby Jessesley Camelo                      Fathers Name: Minguel Camelo                      House Number : 705                      Age : 43 Gender : Male</p> <p>Photo                      Available</p>	<p>561</p> <p>INX0307926</p> <p>Name : Jupiter Camelo                      Fathers Name: Minguel Camelo                      House Number : 705                      Age : 42 Gender : Male</p> <p>Photo                      Available</p>	<p>562</p> <p>INX0307934</p> <p>Name : Gesman Camelo                      Fathers Name: Minguel Camelo                      House Number : 705                      Age : 39 Gender : Male</p> <p>Photo                      Available</p>
<p>563</p> <p>INX0318980</p> <p>Name : Maria Caetana Estrocio                      Husbands Name: Seby Jessesley Camelo                      House Number : 705                      Age : 35 Gender : Female</p> <p>Photo                      Available</p>	<p>E 564</p> <p>CCQ0187385</p> <p>Name : Luisa Maria Sousa Gracias                      Husbands Name: Eno Soza Gracias                      House Number : 705                      Age : 66 Gender : Female</p> <p>Photo                      Available</p>	<p>565</p> <p>INX0431338</p> <p>Name : Maricina Almeida                      Husbands Name: Casmiro Almeida                      House Number : 707                      Age : 58 Gender : Female</p> <p>Photo                      Available</p>
<p>566</p> <p>INX0398925</p> <p>Name : Antonio De Almeida                      Mothers Name: Cristina Calaco                      House Number : 707                      Age : 40 Gender : Male</p> <p>Photo                      Available</p>	<p>567</p> <p>INX0269910</p> <p>Name : Cristina Calaco                      Husbands Name: Caetano Maria De Almeida                      House Number : 707                      Age : 61 Gender : Female</p> <p>Photo                      Available</p>	<p>568</p> <p>INX0213413</p> <p>Name : Jasmira De Almeida                      Fathers Name: Casmiro De Almeida                      House Number : 707                      Age : 39 Gender : Female</p> <p>Photo                      Available</p>
<p>569</p> <p>INX0269936</p> <p>Name : Nelson De Almeida                      Fathers Name: Caetano De Almeida                      House Number : 707                      Age : 39 Gender : Female</p> <p>Photo                      Available</p>	<p>570</p> <p>AQI0305342</p> <p>Name : Matilda Fernandes                      Husbands Name: Richard De Almeida                      House Number : 707                      Age : 34 Gender : Female</p> <p>Photo                      Available</p>	<p>571</p> <p>INX0076398</p> <p>Name : Mariquinha Sequeira E De Almeida                      Husbands Name: Casmiro De Almeida                      House Number : 707                      Age : 61 Gender : Female</p> <p>Photo                      Available</p>
<p>572</p> <p>CCQ0435859</p> <p>Name : Santan Domingos Afonso                      Fathers Name: Domingos Afonso                      House Number : 708                      Age : 66 Gender : Female</p> <p>Photo                      Available</p>	<p>573</p> <p>CCQ0435909</p> <p>Name : Nortan Rodriguis                      Fathers Name: Xavier Rodriguis                      House Number : 709                      Age : 42 Gender : Male</p> <p>Photo                      Available</p>	<p>574</p> <p>CCQ0436584</p> <p>Name : Maria Antonio Rodrigues                      Husbands Name: Sebastiao Rodrigues                      House Number : 710                      Age : 71 Gender : Female</p> <p>Photo                      Available</p>
<p>575</p> <p>INX0076471</p> <p>Name : Kenrick Agnelo Fernandes                      Fathers Name: Cajetan Fernandes                      House Number : 711/A                      Age : 37 Gender : Male</p> <p>Photo                      Available</p>	<p>576</p> <p>CCQ0847715</p> <p>Name : Maria Rene Camelo                      Fathers Name: Domingos Paixao Camelo                      House Number : 712                      Age : 47 Gender : Female</p> <p>Photo                      Available</p>	<p>577</p> <p>CCQ0186940</p> <p>Name : Mauricia Fernandes                      Husbands Name: Domingos Paixao Camelo                      House Number : 712                      Age : 80 Gender : Female</p> <p>Photo                      Available</p>



<p>578</p> <p>INX0246561</p> <p>Name : Aninha Soares                      Husbands Name: Pedro Camelo                      House Number : 712                      Age : 51 Gender : Female</p> <p>Photo Available</p>	<p>579</p> <p>CCQ0187591</p> <p>Name : Joes Fernandes                      Fathers Name: Michael Fernandes                      House Number : 712/B                      Age : 46 Gender : Male</p> <p>Photo Available</p>	<p>580</p> <p>INX0390708</p> <p>Name : Joenisha Fernandes                      Husbands Name: Joes Fernandes                      House Number : 712/B                      Age : 46 Gender : Female</p> <p>Photo Available</p>
<p>581</p> <p>CCQ0187195</p> <p>Name : Angelica Do Rosario                      Husbands Name: Paixao Fernandes                      House Number : 715                      Age : 76 Gender : Female</p> <p>Photo Available</p>	<p>582</p> <p>INX0244624</p> <p>Name : Francisco Fernandes                      Fathers Name: Paixao Fernandes                      House Number : 715                      Age : 55 Gender : Male</p> <p>Photo Available</p>	<p>583</p> <p>CCQ0435891</p> <p>Name : Minino Fernandes                      Fathers Name: Paixao Fernandes                      House Number : 715                      Age : 45 Gender : Male</p> <p>Photo Available</p>
<p>584</p> <p>CCQ9071861</p> <p>Name : Antonette Fernandes                      Fathers Name: Edward Fernandes                      House Number : 715                      Age : 43 Gender : Female</p> <p>Photo Available</p>	<p>585</p> <p>INX0285551</p> <p>Name : Edima Fernandes                      Mothers Name: Carmelina Fernandes                      House Number : 715                      Age : 36 Gender : Female</p> <p>Photo Available</p>	<p>586</p> <p>INX0269944</p> <p>Name : Cruz Pedro Fernandes                      Mothers Name: Carmina Gonsalves                      House Number : 715                      Age : 34 Gender : Male</p> <p>Photo Available</p>
<p>587</p> <p>INX0269969</p> <p>Name : Prisco Fernandes                      Fathers Name: Jose M. Fernandes                      House Number : 715                      Age : 32 Gender : Male</p> <p>Photo Available</p>	<p>588</p> <p>INX0371054</p> <p>Name : Joycy Fernandes                      Fathers Name: Jose Marie Fernandes                      House Number : 715                      Age : 27 Gender : Female</p> <p>Photo Available</p>	<p>589</p> <p>CCQ0187534</p> <p>Name : Jose Mario Paixao Fernandes                      Fathers Name: Jose Fernandes                      House Number : 715-C                      Age : 57 Gender : Male</p> <p>Photo Available</p>
<p>590</p> <p>CCQ0187633</p> <p>Name : Piedade Goes                      Husbands Name: Jose Mario Fernandes                      House Number : 715-C                      Age : 49 Gender : Female</p> <p>Photo Available</p>	<p>591</p> <p>CCQ5157516</p> <p>Name : Kusum Kittli                      Fathers Name: Bhimsi Kittli                      House Number : 720.f                      Age : 47 Gender : Female</p> <p>Photo Available</p>	<p>592</p> <p>CCQ0187658</p> <p>Name : Isabel Fernandes                      Husbands Name: Pascoal Rodrigues                      House Number : 721                      Age : 56 Gender : Female</p> <p>Photo Available</p>
<p>593</p> <p>CCQ0435784</p> <p>Name : Perpetua Nunes                      Husbands Name: Francisco Xavier Rodrigues                      House Number : 721                      Age : 57 Gender : Female</p> <p>Photo Available</p>	<p>594</p> <p>INX0241778</p> <p>Name : Pascoal Lourence Rodrigues                      Fathers Name: Lourence Rodrigues                      House Number : 721                      Age : 64 Gender : Male</p> <p>Photo Available</p>	<p>595</p> <p>CCQ0842625</p> <p>Name : Cleta Rodrigues                      Fathers Name: Pascoal Rodrigues                      House Number : 721                      Age : 38 Gender : Female</p> <p>Photo Available</p>
<p>596</p> <p>INX0310342</p> <p>Name : Anton Rodrigues                      Fathers Name: Alex Rodrigues                      House Number : 721-A                      Age : 38 Gender : Male</p> <p>Photo Available</p>	<p>597</p> <p>INX0310391</p> <p>Name : Francisco Fernandes                      Fathers Name: Jeronimo Fernandes                      House Number : 722a                      Age : 50 Gender : Male</p> <p>Photo Available</p>	<p>598</p> <p>INX0337675</p> <p>Name : Antonio Santana Camelo                      Fathers Name: Cruz Camelo                      House Number : 724                      Age : 31 Gender : Male</p> <p>Photo Available</p>
<p>599</p> <p>CCQ0187666</p> <p>Name : Flora De Melo                      Husbands Name: Cruz Camelo                      House Number : 724                      Age : 50 Gender : Female</p> <p>Photo Available</p>	<p>600</p> <p>CCQ5154448</p> <p>Name : Ramjatan Chouhan                      Fathers Name: Lalmandh Chouhan                      House Number : 724-c                      Age : 38 Gender : Male</p> <p>Photo Available</p>	<p>601</p> <p>INX0242412</p> <p>Name : Argentina Nunes                      Husbands Name: Roney Nunes                      House Number : 726-B                      Age : 50 Gender : Female</p> <p>Photo Available</p>
<p>602</p> <p>CCQ0186882</p> <p>Name : Gabriel Luis Rodrigues                      Fathers Name: Luis Rodrigues                      House Number : 726-B                      Age : 82 Gender : Male</p> <p>Photo Available</p>	<p>603</p> <p>CCQ0187401</p> <p>Name : Roney Rodrigues                      Fathers Name: Gabriel Rodrigues                      House Number : 726-B                      Age : 52 Gender : Male</p> <p>Photo Available</p>	<p>604</p> <p>CCQ0186601</p> <p>Name : Luis Rodrigues                      Fathers Name: Gabriel Rodrigues                      House Number : 726-B                      Age : 48 Gender : Male</p> <p>Photo Available</p>
<p>605</p> <p>CCQ0187377</p> <p>Name : Agostinho Francis Gracias                      Fathers Name: Francis Gracias                      House Number : 727                      Age : 73 Gender : Male</p> <p>Photo Available</p>	<p>606</p> <p>CCQ0435180</p> <p>Name : Joaozinho Gracias                      Fathers Name: Francisco Gracias                      House Number : 727                      Age : 55 Gender : Male</p> <p>Photo Available</p>	<p>607</p> <p>CCQ0186627</p> <p>Name : Francisco Gracias                      Fathers Name: Francis Gracias                      House Number : 727                      Age : 45 Gender : Male</p> <p>Photo Available</p>

<p>608</p> <p>CCQ9296609</p> <p>Name : Annie Gracias Fathers Name: Francis Gracias House Number : 727 Age : 42 Gender : Female</p> <p>Photo Available</p>	<p>609</p> <p>CCQ0436014</p> <p>Name : Ismenia Claudina Pereira Husbands Name: Agostinho Gracias House Number : 727 Age : 66 Gender : Female</p> <p>Photo Available</p>
---	---

<p>610</p> <p>MLB1288778</p> <p>Name : Sreedharan Pillai Fathers Name: Sukumaran Nair House Number : - Age : 70 Gender : Male</p> <p>Photo Available</p>	<p>611</p> <p>RCI0951947</p> <p>Name : Rita Sreedharan Pillai Husbands Name: Sreedharan Pillai House Number : - Age : 64 Gender : Female</p> <p>Photo Available</p>	<p>612</p> <p>CCQ2633527</p> <p>Name : Mahesh Rajaram Tirodkar Fathers Name: Rajaram Tirodkar House Number : 3-A Age : 55 Gender : Male</p> <p>Photo Available</p>
<p>613</p> <p>CCQ2633535</p> <p>Name : Manisha Mahesh Tirodkar Husbands Name: Mahesh Tirodkar House Number : 3-A Age : 53 Gender : Female</p> <p>Photo Available</p>	<p>614</p> <p>INX0333765</p> <p>Name : Mayur Tirodkar Fathers Name: Mahesh Rajaram Tirodkar House Number : 3-A Age : 30 Gender : Male</p> <p>Photo Available</p>	<p>615</p> <p>CCQ0252023</p> <p>Name : Xec Imtiaz Ahmad Fathers Name: Issub Xec House Number : 8a Age : 60 Gender : Male</p> <p>Photo Available</p>
<p>616</p> <p>INX0449355</p> <p>Name : Shaikh Issam Ahmed Fathers Name: Xec Imtiaz Ahmad House Number : 8A Age : 20 Gender : Male</p> <p>Photo Available</p>	<p>617</p> <p>INX0390740</p> <p>Name : Raeda Shaikh Fathers Name: Xec Imtiaz Ahmad House Number : 8a Age : 25 Gender : Female</p> <p>Photo Available</p>	<p>618</p> <p>INX0275693</p> <p>Name : Uma Bahadur Fathers Name: Anchuk Bahadur House Number : 354/B Age : 33 Gender : Female</p> <p>Photo Available</p>
<p>619</p> <p>INX0431494</p> <p>Name : Manda Anchuk Bhadur Husbands Name: Anchuk Bahadur House Number : 356 Age : 53 Gender : Female</p> <p>Photo Available</p>	<p>620</p> <p>CCQ0824318</p> <p>Name : Santana Silveira Fathers Name: Juuao Silveira House Number : 356 Age : 66 Gender : Male</p> <p>Photo Available</p>	<p>621</p> <p>INX0285692</p> <p>Name : Arkanj Silveira Husbands Name: Santana Silveira House Number : 356 Age : 60 Gender : Female</p> <p>Photo Available</p>
<p>622</p> <p>CCQ0820076</p> <p>Name : Lawrence Silveira Fathers Name: Santan Silveira House Number : 356 Age : 36 Gender : Male</p> <p>Photo Available</p>	<p>623</p> <p>INX0431510</p> <p>Name : Hanamanta Babu Chavan Fathers Name: Babu Chavan House Number : 359 Age : 58 Gender : Male</p> <p>Photo Available</p>	<p>624</p> <p>INX0339093</p> <p>Name : Manjunath Chavan Fathers Name: Hanamanta Chavan House Number : 359 Age : 34 Gender : Male</p> <p>Photo Available</p>
<p>625</p> <p>INX0337667</p> <p>Name : Sanju Chavan Fathers Name: Hanumant Chavan House Number : 359 Age : 31 Gender : Male</p> <p>Photo Available</p>	<p>626</p> <p>INX0443572</p> <p>Name : Priyanka Chavan Husbands Name: Sanju Chavan House Number : 359 Age : 29 Gender : Female</p> <p>Photo Available</p>	<p>627</p> <p>INX0357319</p> <p>Name : Pooja Chavan Fathers Name: Hanumant Babu Chavan House Number : 359 Age : 28 Gender : Female</p> <p>Photo Available</p>
<p>628</p> <p>CCQ0846931</p> <p>Name : Sajida Yusuf Shaikh Fathers Name: Yusuf Shaikh House Number : 359 Age : 48 Gender : Female</p> <p>Photo Available</p>	<p>629</p> <p>CCQ0752055</p> <p>Name : Razia Shaikh Husbands Name: Imtiaz Ahmed Shaikh House Number : 359 Age : 41 Gender : Female</p> <p>Photo Available</p>	<p>630</p> <p>INX0240556</p> <p>Name : Indrabai Hanumant Chavan Husbands Name: Hanumant Chavan House Number : 359/E Age : 53 Gender : Female</p> <p>Photo Available</p>
<p>631</p> <p>CCQ0752188</p> <p>Name : Sandeep Nagvenkar Fathers Name: Raghuvir Nagvenkar House Number : 361 Age : 57 Gender : Male</p> <p>Photo Available</p>	<p>632</p> <p>CCQ0752196</p> <p>Name : Sonali Sandeep Nagvenkar Husbands Name: Sandeep Nagvenkar House Number : 361 Age : 56 Gender : Female</p> <p>Photo Available</p>	<p>633</p> <p>INX0389791</p> <p>Name : Saideep Nagvenkar Fathers Name: Sandeep Nagvenkar House Number : 361 Age : 25 Gender : Male</p> <p>Photo Available</p>
<p>634</p> <p>INX0461285</p> <p>Name : RAJDEEP NAGVENKAR Fathers Name: SANDEEP NAGVENKAR House Number : 361 Age : 19 Gender : Male</p> <p>Photo Available</p>	<p>635</p> <p>INX0407726</p> <p>Name : Nagamma Sanjay Patil Husbands Name: Sanjay Patil House Number : 701 Age : 41 Gender : Female</p> <p>Photo Available</p>	<p>636</p> <p>INX0407692</p> <p>Name : Yeshuraj Sanjay Patil Fathers Name: Sanjay Patil House Number : 701 Age : 25 Gender : Male</p> <p>Photo Available</p>
<p>S 637</p> <p>INX0407700</p> <p>Name : Rupal Sanjay Patil Fathers Name: Sanjay Patil House Number : 701 Age : 23 Gender : Female</p> <p>Photo Available</p>	<p>638</p> <p>CCQ5155676</p> <p>Name : Dsharath Sawant Fathers Name: Narayan Sawant House Number : A-1 Age : 50 Gender : Male</p> <p>Photo Available</p>	<p>639</p> <p>ROL3682010</p> <p>Name : Benedict Salvador Saidanha Others: Prabha Wagle House Number : A 3 , La Marvel Colony Age : 63 Gender : Male</p> <p>Photo Available</p>

<p>640</p> <p>INX0431528</p> <p>Name : Umesh Das Fathers Name: Emno Das House Number : A-4 Age : 49 Gender : Male</p> <p>Photo</p> <p>Available</p>	<p>641</p> <p>INX0442723</p> <p>Name : Komal Umesh Das Fathers Name: Umesh Das House Number : A-4 Age : 22 Gender : Female</p> <p>Photo</p> <p>Available</p>	<p>642</p> <p>INX0245688</p> <p>Name : Prema Shirvoikar Husbands Name: Daktu Shirvoikar House Number : A-6 Age : 56 Gender : Female</p> <p>Photo</p> <p>Available</p>
<p>643</p> <p>INX0367797</p> <p>Name : Vnesh Shirvoikar Mothers Name: Prema Shirvoikar House Number : A-6 Age : 27 Gender : Male</p> <p>Photo</p> <p>Available</p>	<p>644</p> <p>INX0374645</p> <p>Name : Saili Sandesh Borkar Fathers Name: Sandesh Tulsidas Borkar House Number : A-10 Age : 26 Gender : Female</p> <p>Photo</p> <p>Available</p>	<p>645</p> <p>INX0464057</p> <p>Name : Sanisha Sandesh Borkar Fathers Name: Sandesh Borkar House Number : A-10 Age : 19 Gender : Female</p> <p>Photo</p> <p>Available</p>
<p>646</p> <p>CCQ0000869</p> <p>Name : Bhagi Timlo Gawas Husbands Name: Timlo Gawas House Number : A-13 Age : 65 Gender : Female</p> <p>Photo</p> <p>Available</p>	<p>647</p> <p>CCQ0000877</p> <p>Name : Anil Timlo Gawas Fathers Name: Timlo Gawas House Number : A-13 Age : 42 Gender : Male</p> <p>Photo</p> <p>Available</p>	<p>648</p> <p>INX0334615</p> <p>Name : Gauri Gawas Fathers Name: Timlo Gawas House Number : A-13 Age : 31 Gender : Female</p> <p>Photo</p> <p>Available</p>
<p>649</p> <p>CCQ5156831</p> <p>Name : Raju Pandit Fathers Name: Gangai Pandit House Number : A-15 Age : 46 Gender : Male</p> <p>Photo</p> <p>Available</p>	<p>650</p> <p>CCQ5156849</p> <p>Name : Somnidevi Pandit Husbands Name: Raju Pandit House Number : A-15 Age : 43 Gender : Female</p> <p>Photo</p> <p>Available</p>	<p>651</p> <p>CCQ5153903</p> <p>Name : Renuka Shinde Husbands Name: Subhash Shinde House Number : A-15 Age : 62 Gender : Female</p> <p>Photo</p> <p>Available</p>
<p>652</p> <p>CCQ5153622</p> <p>Name : Seema Shinde Fathers Name: Subhash Shinde House Number : A-15 Age : 38 Gender : Female</p> <p>Photo</p> <p>Available</p>	<p>653</p> <p>INX0248732</p> <p>Name : Shridutta Mahambre Fathers Name: Vasant Mahambre House Number : A-16 Age : 71 Gender : Male</p> <p>Photo</p> <p>Available</p>	<p>654</p> <p>CCQ0811810</p> <p>Name : Smita Mahambre Husbands Name: Shrikrishna Mahambre House Number : A-16 Age : 56 Gender : Female</p> <p>Photo</p> <p>Available</p>
<p>655</p> <p>INX0457515</p> <p>Name : UMA MUKHARJI Others: Prachya Deb Mukherjee House Number : A/21 Age : 86 Gender : Female</p> <p>Photo</p> <p>Available</p>	<p>656</p> <p>INX0405332</p> <p>Name : Deepa Tak Husbands Name: Nandulal Tak House Number : B-2 Age : 38 Gender : Female</p> <p>Photo</p> <p>Available</p>	<p>657</p> <p>URM0219451</p> <p>Name : Deeya Deepesh Kandolkar Husbands Name: Deepesh Kandolkar House Number : B-3 Age : 33 Gender : Female</p> <p>Photo</p> <p>Available</p>
<p>658</p> <p>INX0463034</p> <p>Name : Supriya Mohe Husbands Name: Viraj Mohe House Number : D-5 Age : 42 Gender : Female</p> <p>Photo</p> <p>Available</p>	<p>659</p> <p>INX0285684</p> <p>Name : Radabai Shriram Tak Husbands Name: Shriram Tak House Number : D-5 Age : 68 Gender : Female</p> <p>Photo</p> <p>Available</p>	<p>660</p> <p>CCQ0752311</p> <p>Name : Nandulal Shriram Tak Fathers Name: Shriram Tak House Number : D-5 Age : 48 Gender : Male</p> <p>Photo</p> <p>Available</p>
<p>661</p> <p>INX0431536</p> <p>Name : Seema Shriram Tak Fathers Name: Shriram Tak House Number : D-5 Age : 46 Gender : Female</p> <p>Photo</p> <p>Available</p>	<p>662</p> <p>INX0390815</p> <p>Name : Chetna Tirodkar Fathers Name: Mahesh Rajaram Tirodkar House Number : Q-A1 Age : 26 Gender : Female</p> <p>Photo</p> <p>Available</p>	

1- List of Additions 1 (27-10-2023 04-01-2024 )

<p>663 2 INX0465005</p> <p>Name : Mehvish Mansoor Ali                      Mothers Name: Diana Gonsalves                      House Number : H.No.55                      Age : 18 Gender : Female</p> <p>Photo Available</p>	<p>664 1 INX0465062</p> <p>Name : CAROLINE SAVIA DIAS BARRETO                      Mothers Name: PEARL AMELIA MONTEIRO                      House Number : A 18                      Age : 18 Gender : Female</p> <p>Photo Available</p>	<p>665 8 INX0465153</p> <p>Name : Monu Pawan Pandit                      Others: Raju Gangai Pandit                      House Number : Quarters No. A-15                      Age : 18 Gender : Male</p> <p>Photo Available</p>
<p>666 2 MMS1485820</p> <p>Name : Chinto Jose Mathew                      Fathers Name: Jose Mathew                      House Number : 10 A                      Age : 43 Gender : Male</p> <p>Photo Available</p>	<p>667 8 INX0467845</p> <p>Name : SNEHA DASHARATH SAWANT                      SAWANT                      Fathers Name: DASHARATH NARAYAN                      SAWANT SAWANT                      House Number : raj bhavan qtz no.12                      Age : 18 Gender : Female</p> <p>Photo Available</p>	<p>668 2 INX0444190</p> <p>Name : Gisha Chinto Mathew                      Husbands Name: Chinto Jose Mathew                      House Number : 10 A                      Age : 44 Gender : Female</p> <p>Photo Available</p>

SUMMARY OF ELECTORS							
A) NUMBER OF ELECTORS							
		Roll Type	Roll Identification	NUMBER OF ELECTORS			
				Male	Female	Third Gender	Total
I	Mother Roll	Mother Roll	Basic Roll of Special Summary Revision 2024 published on 27-10-2023 integrated with Additions, Deletions and Modifications carried out during Special Summary Revision 2024.	310	352	0	662
II	1- List of Additions	Supplement 1	Special Summary Revision 2024	2	4	0	6
III	2- List of Deletions	Supplement 1	Special Summary Revision 2024	21	12	0	33
IV	Difference due to modification in Gender field			0	0	0	0
Net Elector in this Roll after this Revision (I+II-III+IV)				291	344	0	635

B) NUMBER OF MODIFICATIONS		
Roll Type	Roll Identification	NUMBER OF MODIFICATIONS
Supplement 1	Special Summary Revision 2024	10

Signature of Electoral Registration Officer

E-Expired S-Shifted/Change of Residence R-Duplicate M-Missing Q-Disqualified